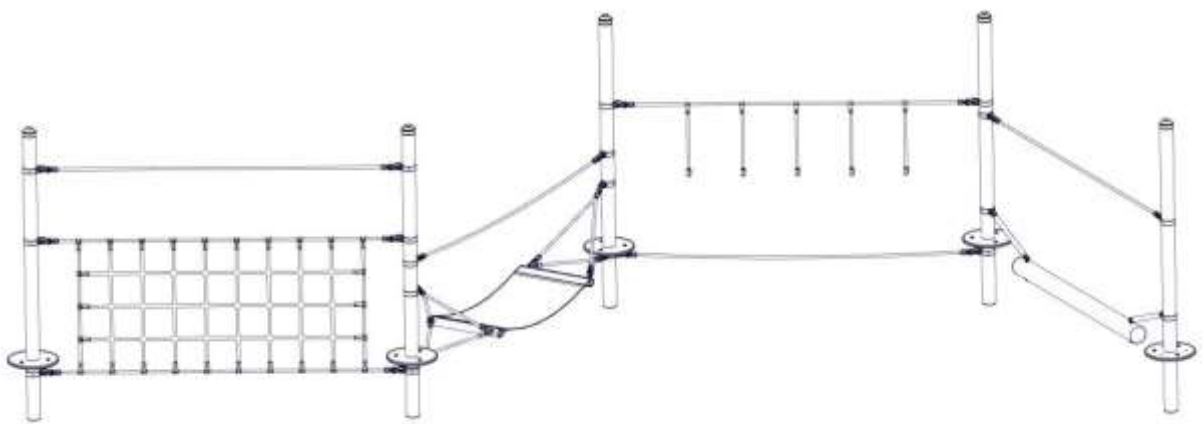


A Assembly instructions **Adventure Course, Art.-No. 4591-60 (3, 5, 8, 9)** **Design: Steel post**

Attention! Only use the assembly instruction included in the scope of delivery for the assembly, installation and maintenance of the respective equipment!



Operator: _____

Location: _____

Attention!

**The centre distance for this device is 3.00 m (centre-to-centre).
In the event of a possible extension with other rope course elements
(e.g. "Vario-Sytem 2.25m", "Dillenburg 3.00m", "Fun Parcours 3.00m"),
the different post spacing must be observed!!**

Revisionshistorie

Revision 0 – 2007- 07-10

Erste freigegebene Version

Montageanleitung JF

Revision 11 – 2020-12-16 FH

neue Form der Anleitung

Alle Rechte vorbehalten

© Copyright 2010 Huck Seiltechnik GmbH

Contents

A	Assembly instructions Adventure Course, Art.-No. 4591-60 (3, 5, 8, 9) Design: Steel post ..	1
1	Introduction Assembling	4
2	Datasheet Adventure Course, article Art.-No. 4591-60	6
3	Delivery contents (parts list with part numbers)	9
4	Erection instructions	14
5	Post installation checks	29
B	Maintenance instructions Adventure Course, Art.-No. 4591-60 (3, 5, 8, 9) Design: Steel post	25
6	General maintenance information	28
7	Maintenance timetable	30
8	Scheduled service	31
9	Monthly maintenance	32
10	Quarterly maintenance	32
11	Half yearly maintenance	32
12	Annual maintenance	33
13	Maintenance printout	34
14	Hand over document	36

List of Tables

Table 3-1: Delivery contents, in words	9
Table 3-2: Delivery contents, in symbols	10

1 Introduction Assembling

1.1 General information

This equipment should be installed, inspected, maintained and operated in accordance with EN1176-7 guidelines.

Before installation work commences, please check that you have all of the equipment and fixation components in the parts list provided (see Tables 3-1 and 3-2).

Please consider that the installation has to be carried out only on even terrain (max.slope up to 3%).

Any spare parts that may be required can be obtained directly from your supplier.

Please do not hesitate to call your supplier if you have any problems during installation or in case of any other questions.



Attention

Following installation, complete assembly instructions, maintenance instructions and a maintenance record must be sent to the operator who must confirm receipt in writing. See the last page of this document.



Attention

All nuts and bolts are hot-dip galvanised or stainless steel.

One of the characteristics of stainless steel is that uncontrolled cold welding may occur when the nuts are tightened. To prevent this, it is necessary to spray the nuts and bolts with Teflon spray or another similar lubricant.

We hereby confirm that this play equipment has been tested and certified in accordance with the play equipment standard EN 1176.

Drawings / Views

All optical drawings are showing only the measurements/dimensions and are no mandatory technical views of the complete item.

We reserve the right to change technical details of our articles which are serving for the further development of our articles and are reasonable for the customer.

Measurement tolerances

Because of the properties and characteristics of the components, minor measurement tolerances compared to the indication on the sketches are possible.

This concerns all shown measurements except the foundation measurements resp. measurements below upper edge ground level/play area.

2 Datasheet Adventure Course, article Art.-No. 4591-60

1. space requirement: 9.00 m x 2.60 m
safety zone: 12.40 m x 6.00 m
height of fall: 1.50 m
height of equipment: 2.45 m
fall protection area: ~ 19.3 – 19.9 m² (depending on element)
2. Required safety surface:

Surface material	Description mm	Minimum thickness of layer mm	Maximum height of fall mm
Topsoil grass			<= 1000 ^d
Chipped bark	20 – 80 grain size	300 400	<= 2000 <= 3000
Wood chippings	5 – 30 grain size	300 400	<= 2000 <= 3000
Sand ^c	0.2 – 2 grain size	300 400	<= 2000 <= 3000
Gravel ^c	2 – 8 grain size	300 400	<= 2000 <= 3000
Other ground materials	As recommended by manufacturer		Critical fall height as checked

^a Appropriate ground material, prepared for use at playgrounds

^b In case of loose fill material, 100mm have to be added onto the minimum layer thickness to compensate the falling away effect (see 4.2.8.5.1).

^c Without silty or clayey proportions. Grain size can be determined by a sieve test according to EN 933-1.

^d See note 1 in 4.2.8.5.2.

3. Name and overall dimension of the largest component:
Steel post (5 pieces) length 3.40 m, ø 101,6 mm
4. Name and weight of the heaviest component:
Steel posts (1 pallet), approx. 128 kg
5. Intended age group: 4 years and over
6. **Please note that this equipment is set in concrete.**
Concrete: C25/30
Required concrete: 1.92 m³
Top edge of concrete 40 cm below ground level
Area to be excavated:
5 x 0.80 m long x 0.80 m wide, total depth 1.10 m including 10 cm drainage

Foundations:
5 x 0.80 m long x 0.80 m wide x 0.60 m depth


Round off foundation edges (min.R = 100 mm)! Sizes of foundations are “4-5” (natural ground).

Soil class 4: soft to medium plasticity, interleave bound, with minor portion of stone (portion < 30% with bigger diameter of 63 mm grain size).

Soil class 5 : ground with soil class 3 and 4 with big portion of stones (portion > 30% with bigger diameter of 63 mm grain size).

In case of sandy and soft soils, the surface measure of foundations have to be enlarged for about 50%!

7. Assembly time, once foundations completed: 1-2 hours.
Required assistants: 2 persons.
8. Any spare parts which may be required can be obtained directly from your supplier.
9. **We hereby confirm that this item of play equipment has been tested and certified in accordance with the play equipment standard EN 1176.**

	Version: Climbing Garden
A	View
AB	the legally prescribed setting times must be observed
AM	Axial measurements
arSo	Rough surface has to be at upper side (reclining area)
D	Concrete C25/30 (for foundations)
DR	Top view
ER	Soil
F	Fall protection
FR	Round off concrete
Fu 1 - 5	Foundation 1 to 5
G	Drainage
Gehw.Pl.	Sidewalk stone (by the customer)
LM	Inbetween measurements
O.K	Upper edge of playing level
PS	Safety area
SA	Side view
SPF	Installation direction of post brackets
RW	scheduled service
VAR.	Height adjustable (40cm min.)
(VO)	Pre-fitted
ML	Post length above ground level
WH ! RO	Important note for installation of round blank at the pole (please keep the sequence of installation!):
 Attention!	<p>Round off foundation edges (min.R = 100 mm)! Sizes of foundations are designed for soils class “4-5” (natural ground). Soil class 4: soft to medium plasticity, interleave bound, with minor portion of stone (portion < 30% with bigger diameter of 63 mm grain size).</p> <p>Soil class 5 : ground with soil class 3 and 4 with big portion of stones (portion > 30% with bigger diameter of 63 mm grain size). In case of sandy and soft soils, the surface measure of foundations have to be enlarged for about 50%!</p>

See drawings for details of shortcuts

3 Delivery contents (parts list with part numbers)

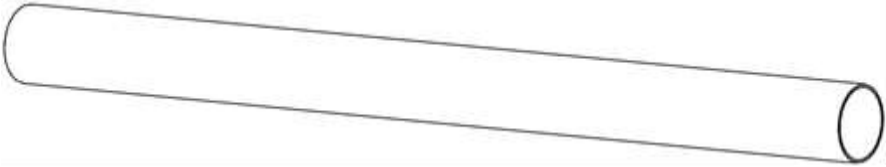
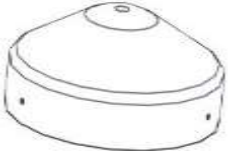
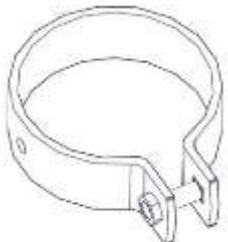

3.1 In words

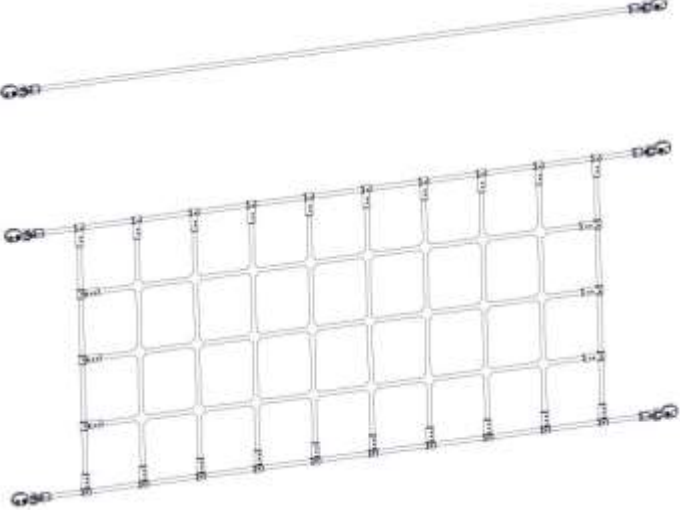
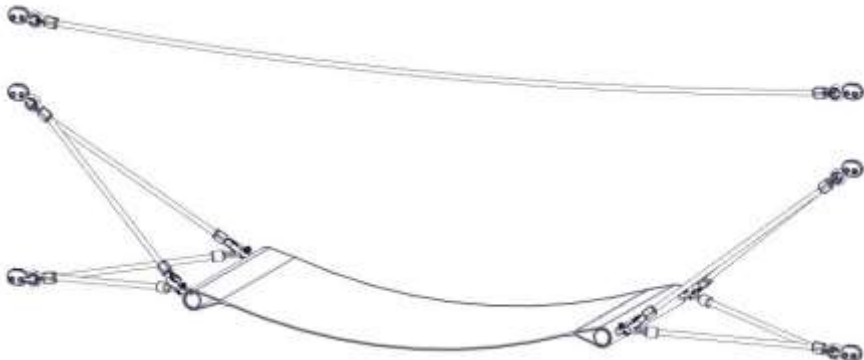
Table 3-1: Delivery contents, in words

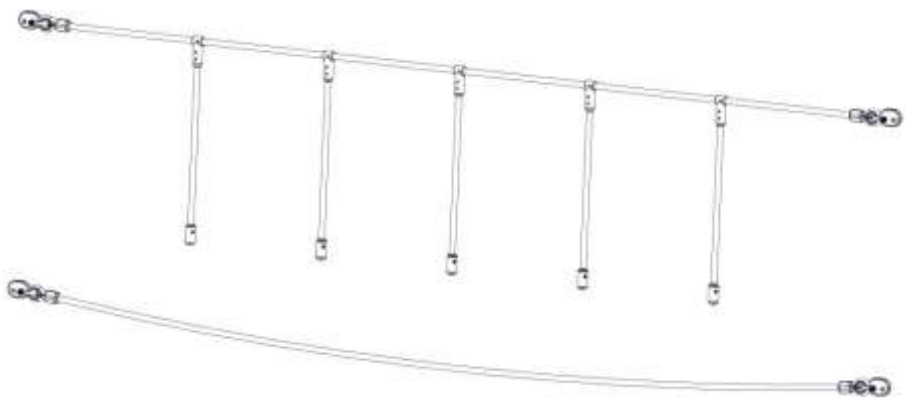
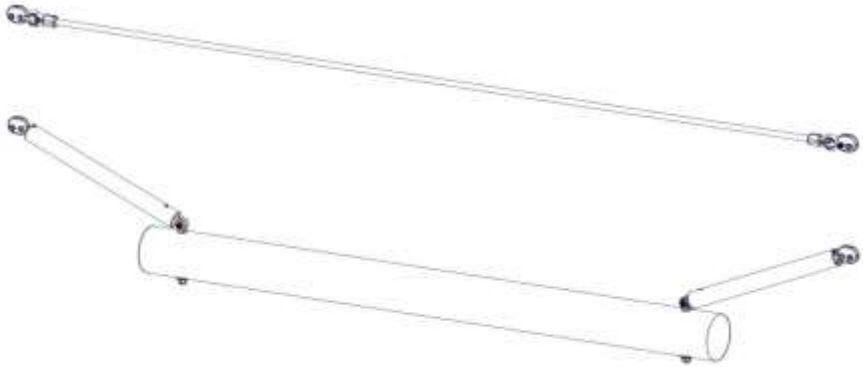
Pos.	Quantity	Element / Description	Size	O.K.	Missing
1	5	Steel posts	Ø 102 mm - 3,40 m		
2	5	Post end caps	Ø 102 mm		
3	4-6 per item	Tube clamps per item	Ø 102 mm		
4	15	Self drilling screws	5,5 x 25mm		
5	1 of each	Item Art.-No.: 4591-60-3,5,8,9			
6	5	Anker tube clamps	for Ø 101,6 mm		
7	5	Platform with clamps incl. Carriage bolt and LNyloc nut(prefitted)			
7a	5	countersunk allen screw+ washer + cap stop nut	M8 x 35 mm for Pos. 7		
	5	Sidewalk stone	250 x 250 x 40 (by customer)		

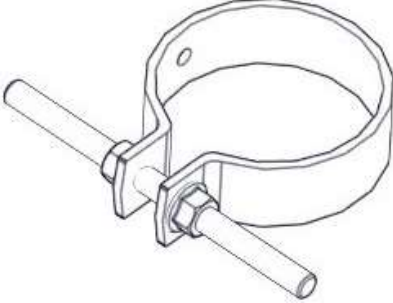

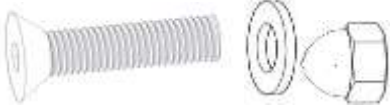

3.2 In symbols

Table 3-2: Delivery contents, in symbols

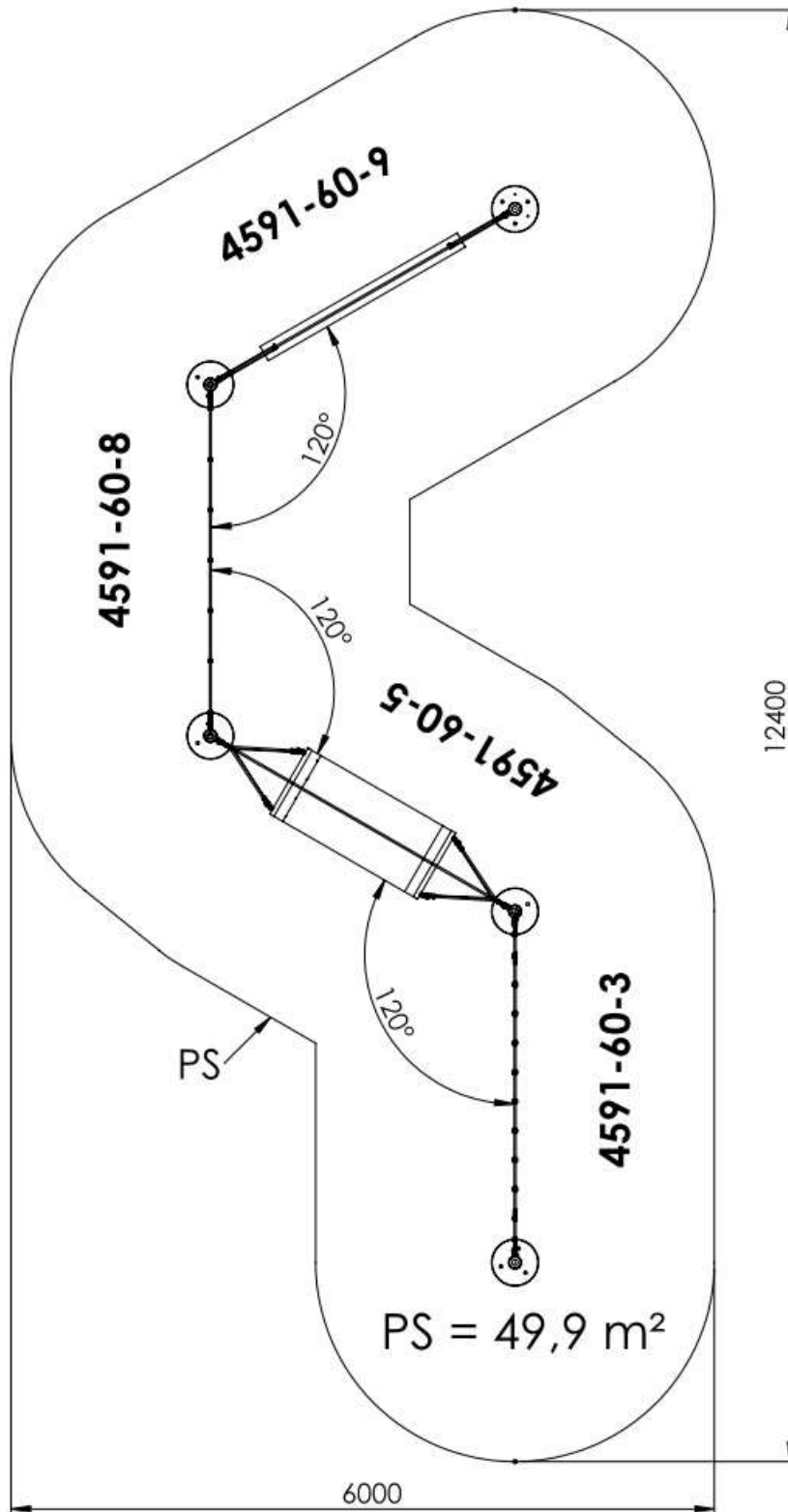
Pos.	Quantity	Symbol
1	5	 Ø 101,6 mm, 3,40 m long
2	5	 for Ø 101,6 mm
3	4-6	 for pipe Ø 101,6 mm
4	15	 5,5 x 25 mm DIN 9021 (3x screws per cap)

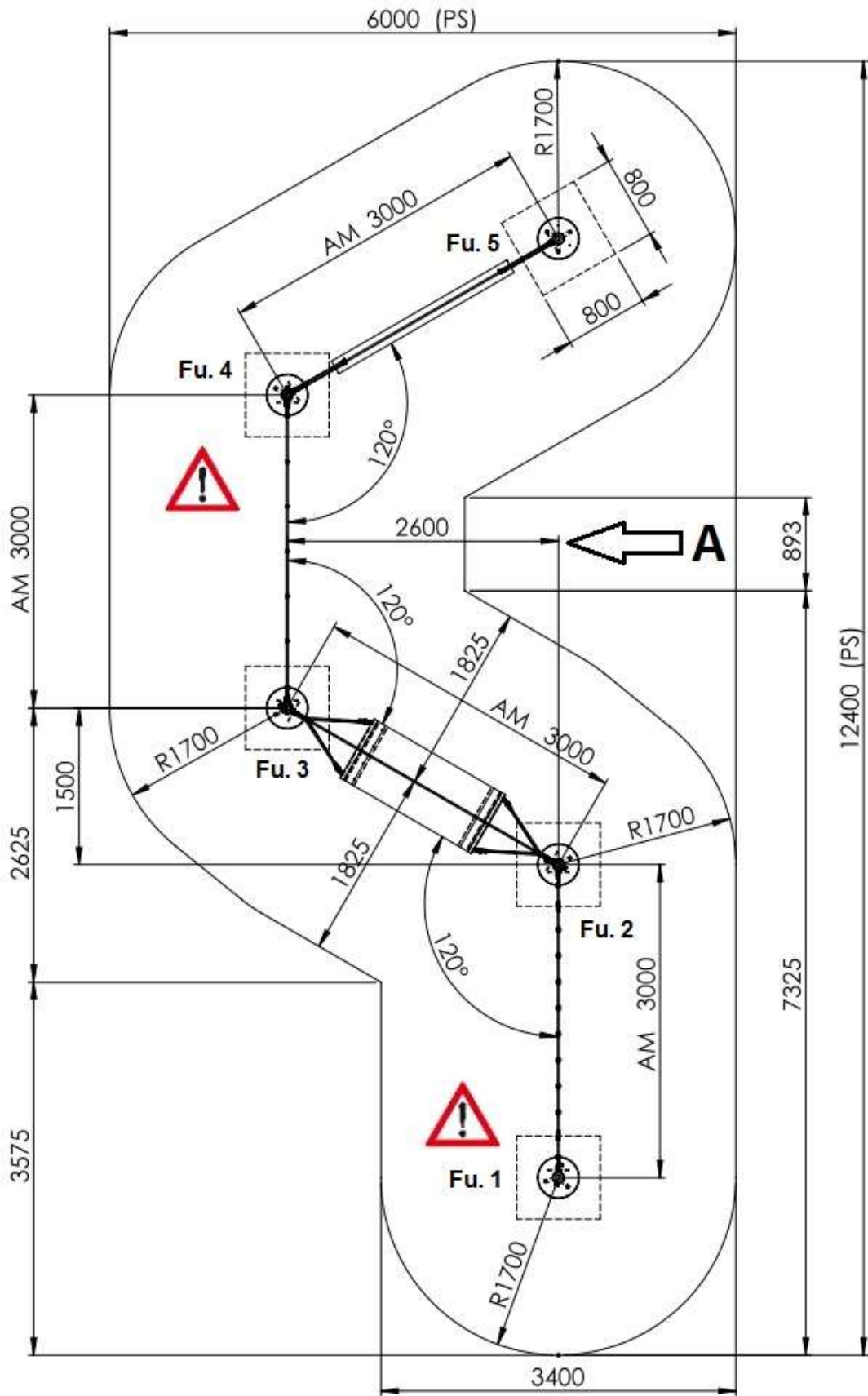
Pos.	Quantity	Symbol
5	1	<p data-bbox="794 439 1102 472">4591-60-3 / 2.90 long</p> 
(5)	1	<p data-bbox="874 1290 1023 1323">4591-60-5</p>  <p data-bbox="863 1861 1034 1895">2.90 m long</p>

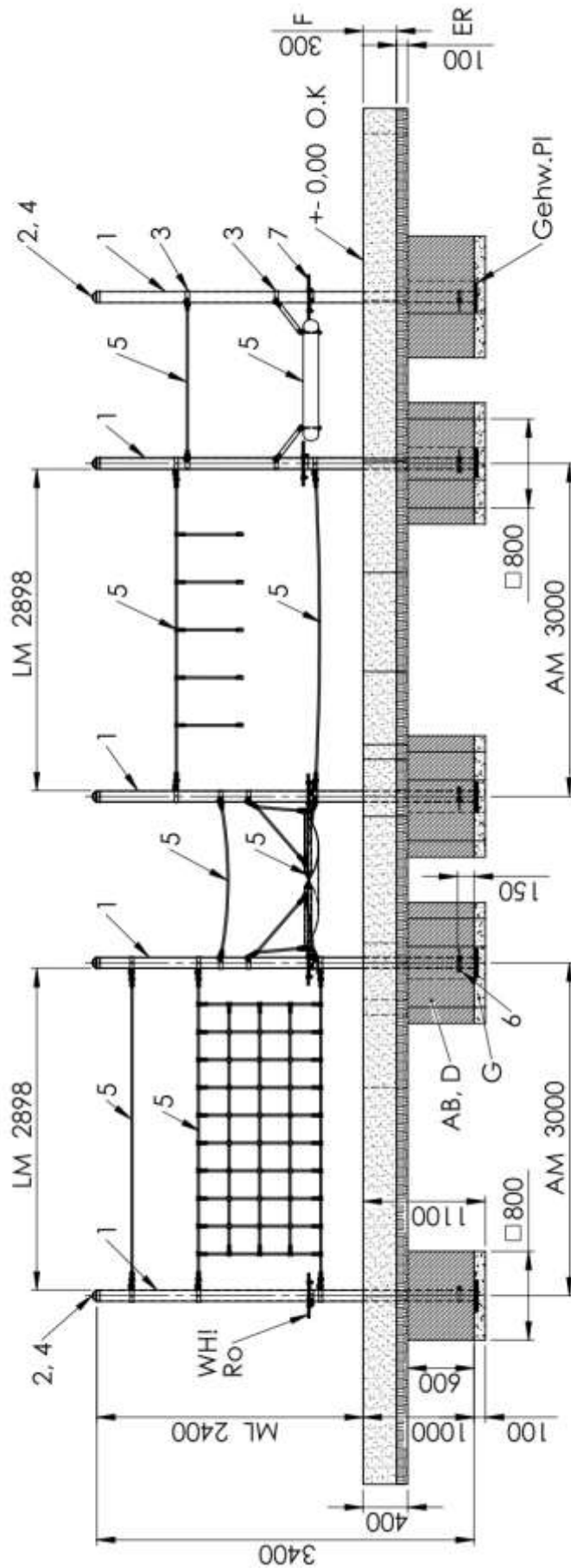
Pos.	Quantity	Symbol
(5)	1	<p style="text-align: center;">4591-60-8</p>  <p style="text-align: center;">2.90 m long</p>
(5)	1	<p style="text-align: center;">4591-60-9</p>  <p style="text-align: center;">2.90 m long</p>

Pos.	Quantity	Symbol
6	5	 <p>Threaded bolt M10 mm + 2 nuts</p>
7	5	 <p>(VO) for pipe Ø 101,6 mm</p>
7a	5	 <p>for Pos. 7 countersunk allen screw + washer + cap stop nut</p>
	5	 <p>250 x 250 x40 (by customer)</p>

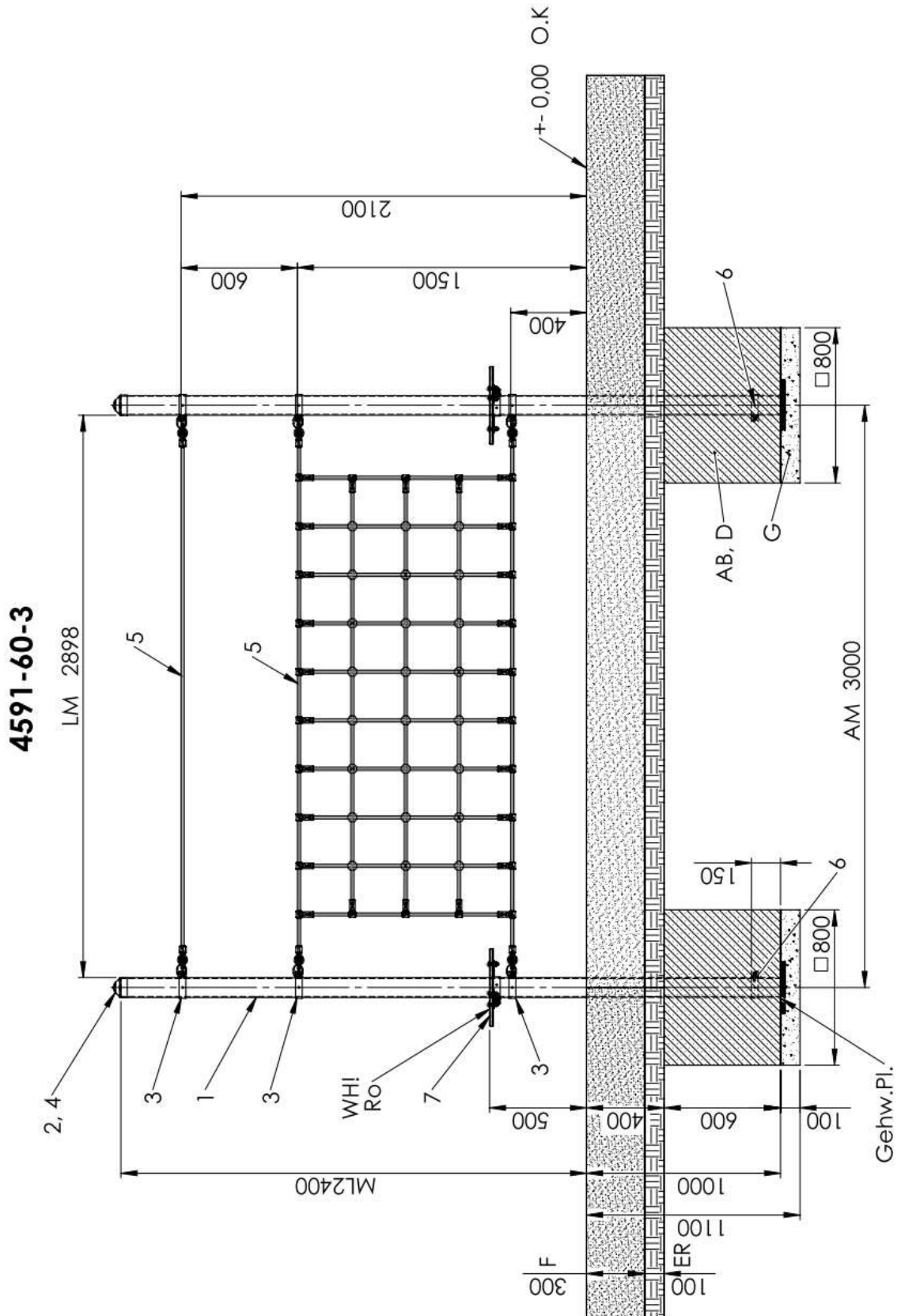
4 Erection instructions

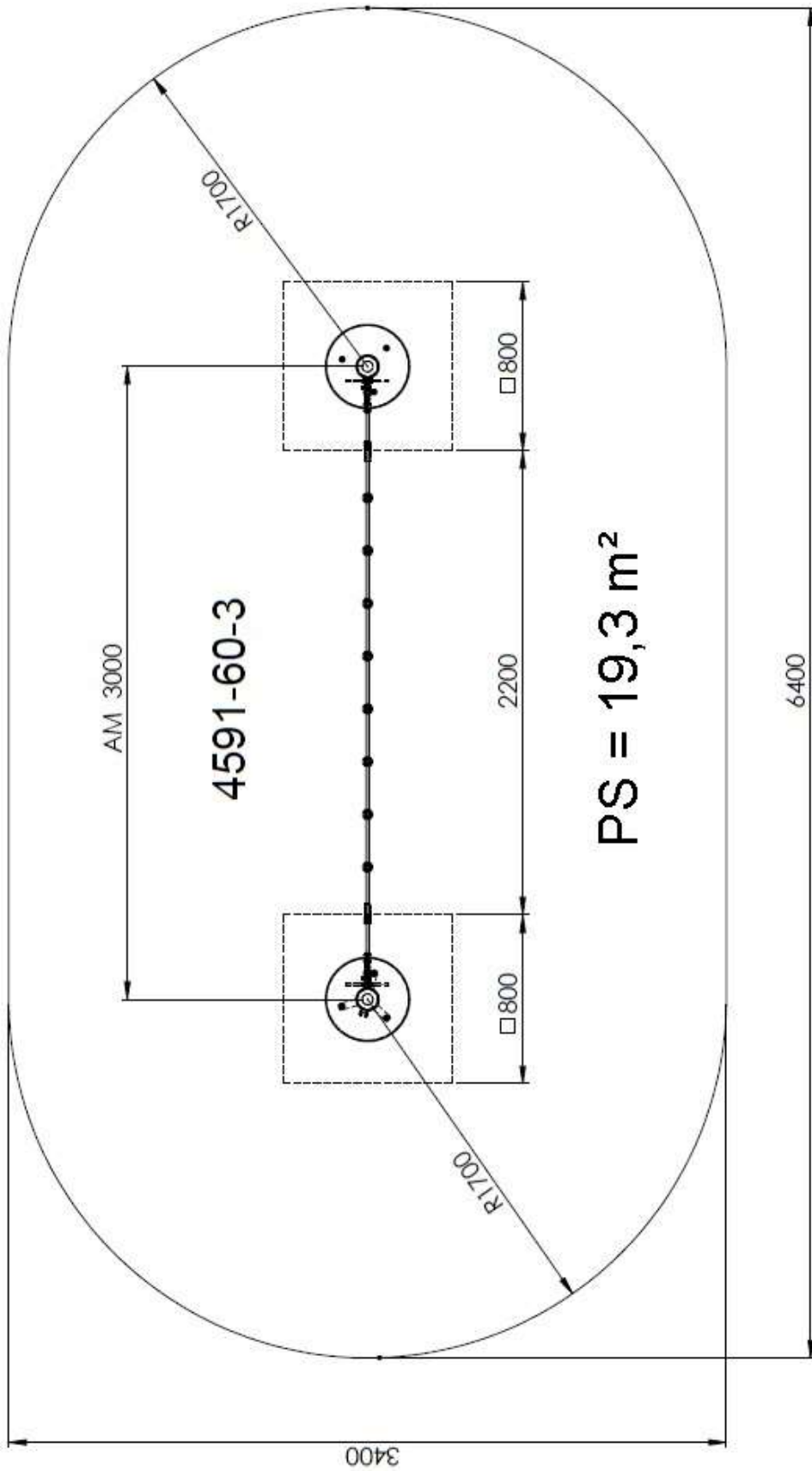


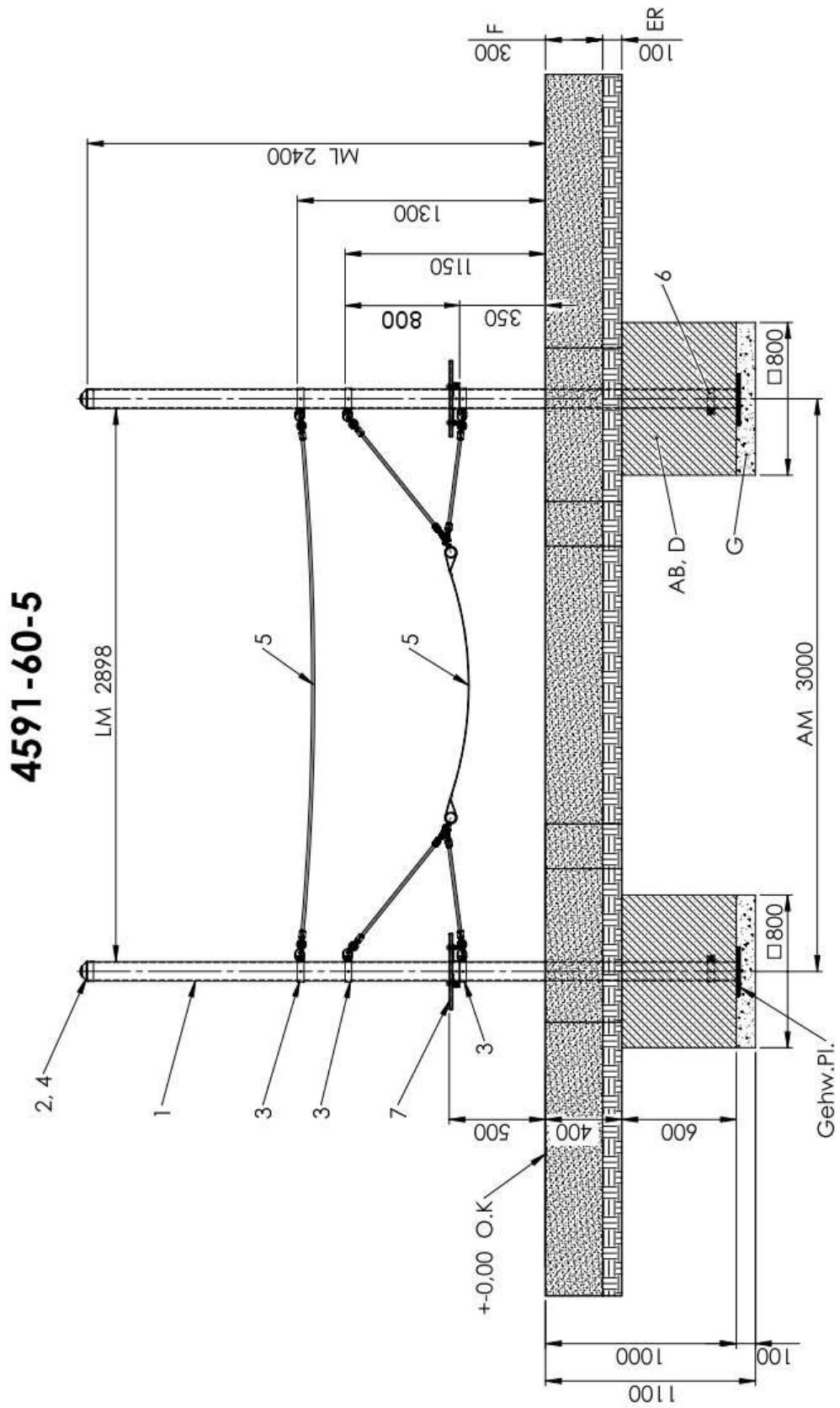


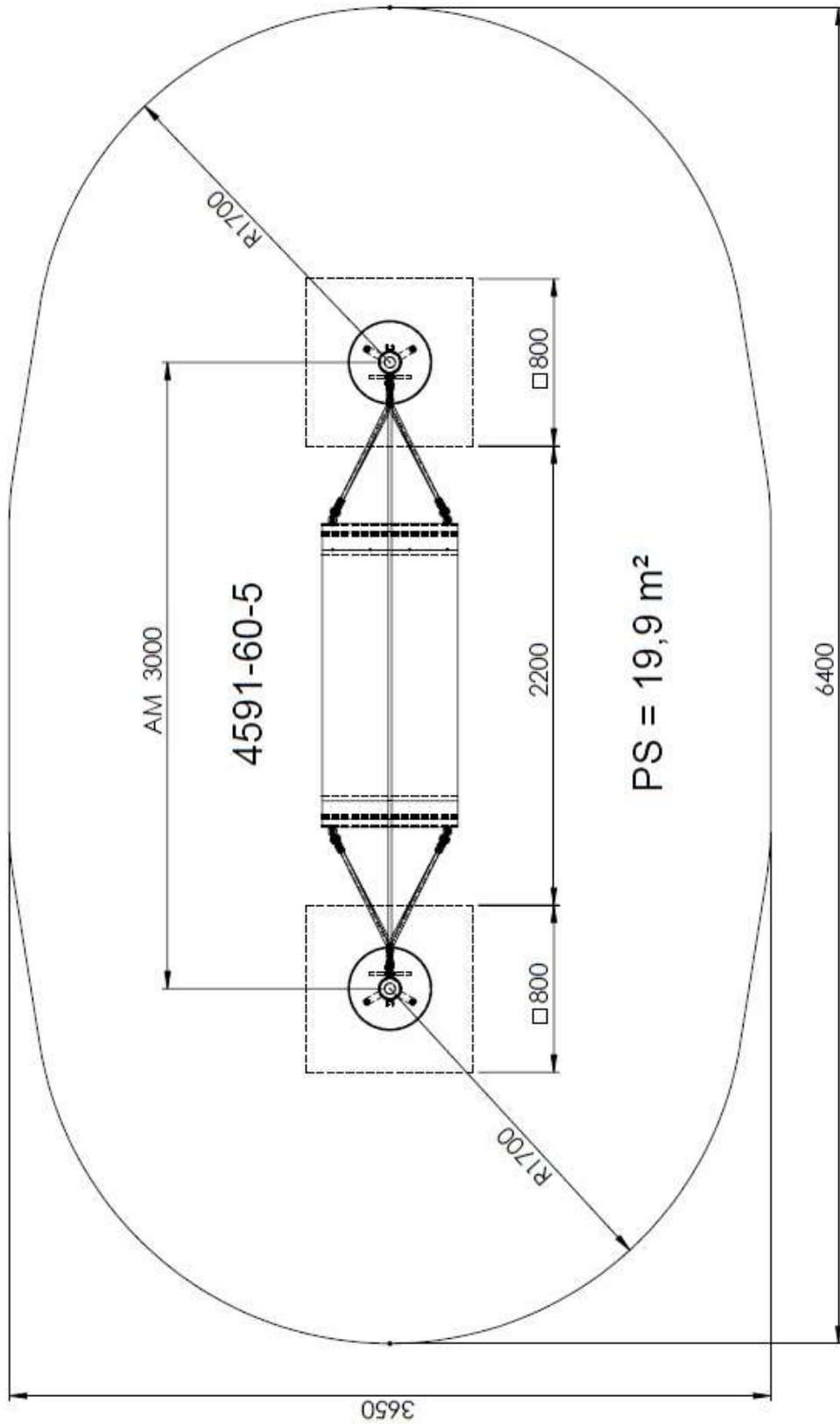


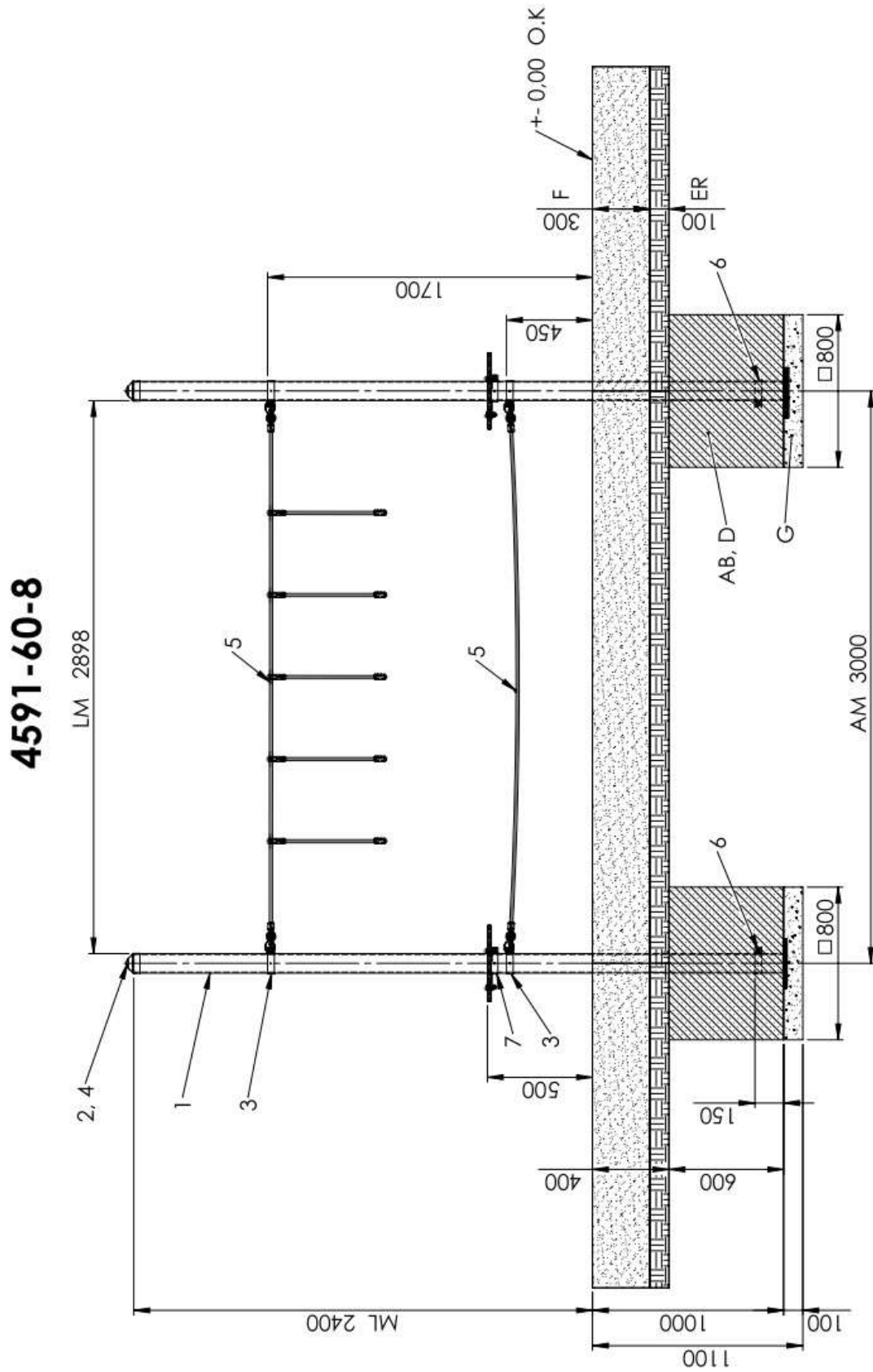
A:A

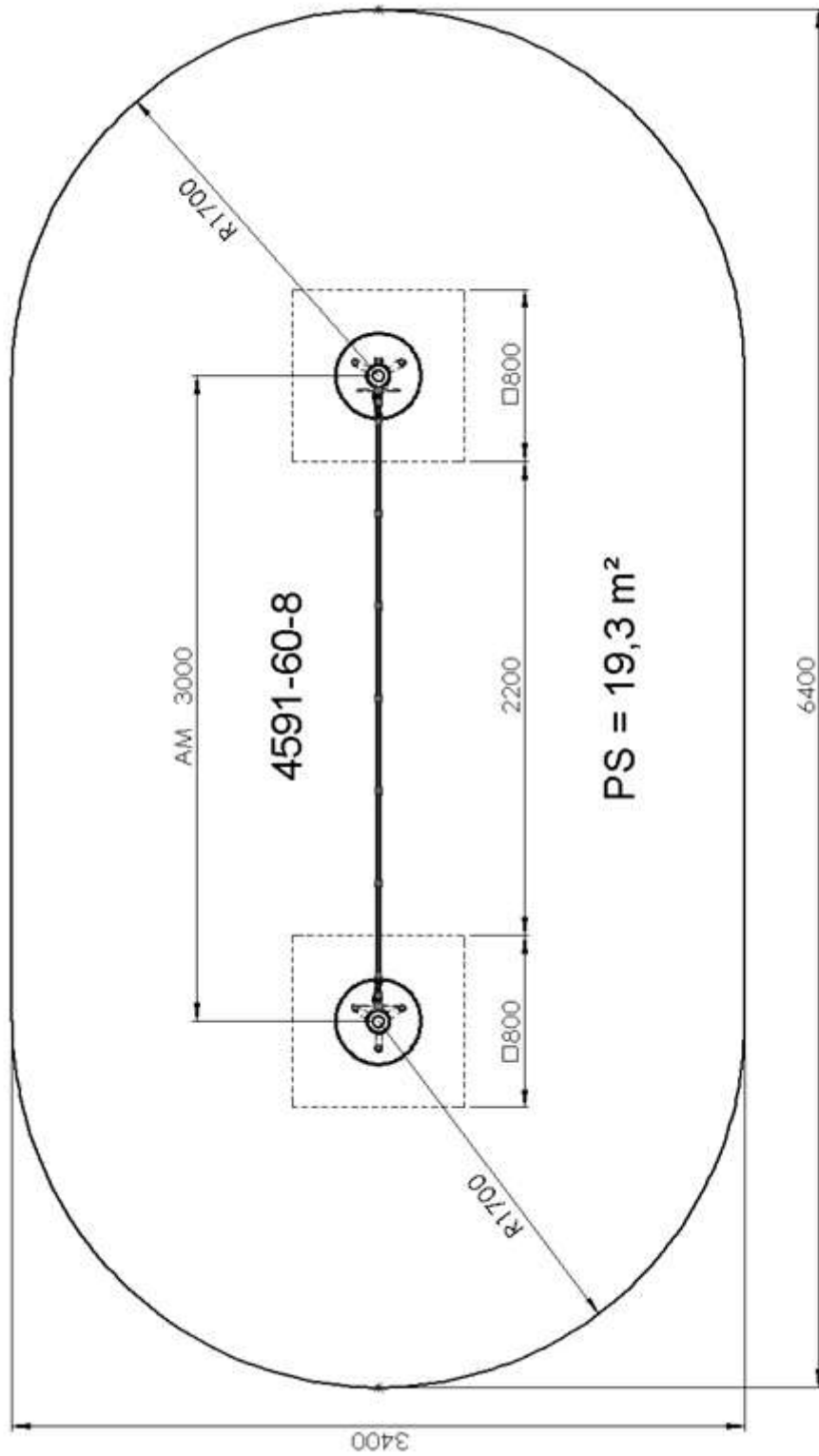




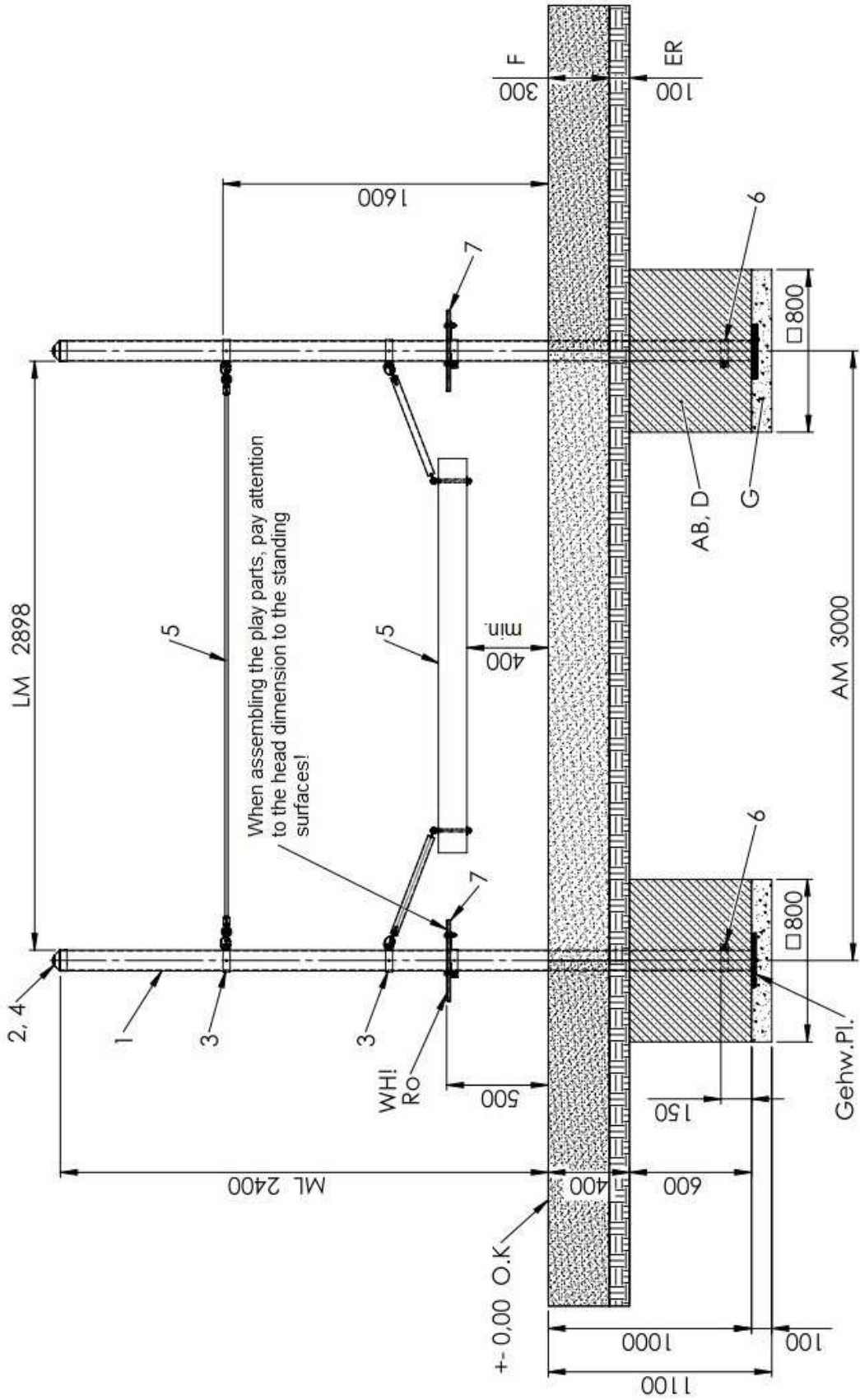


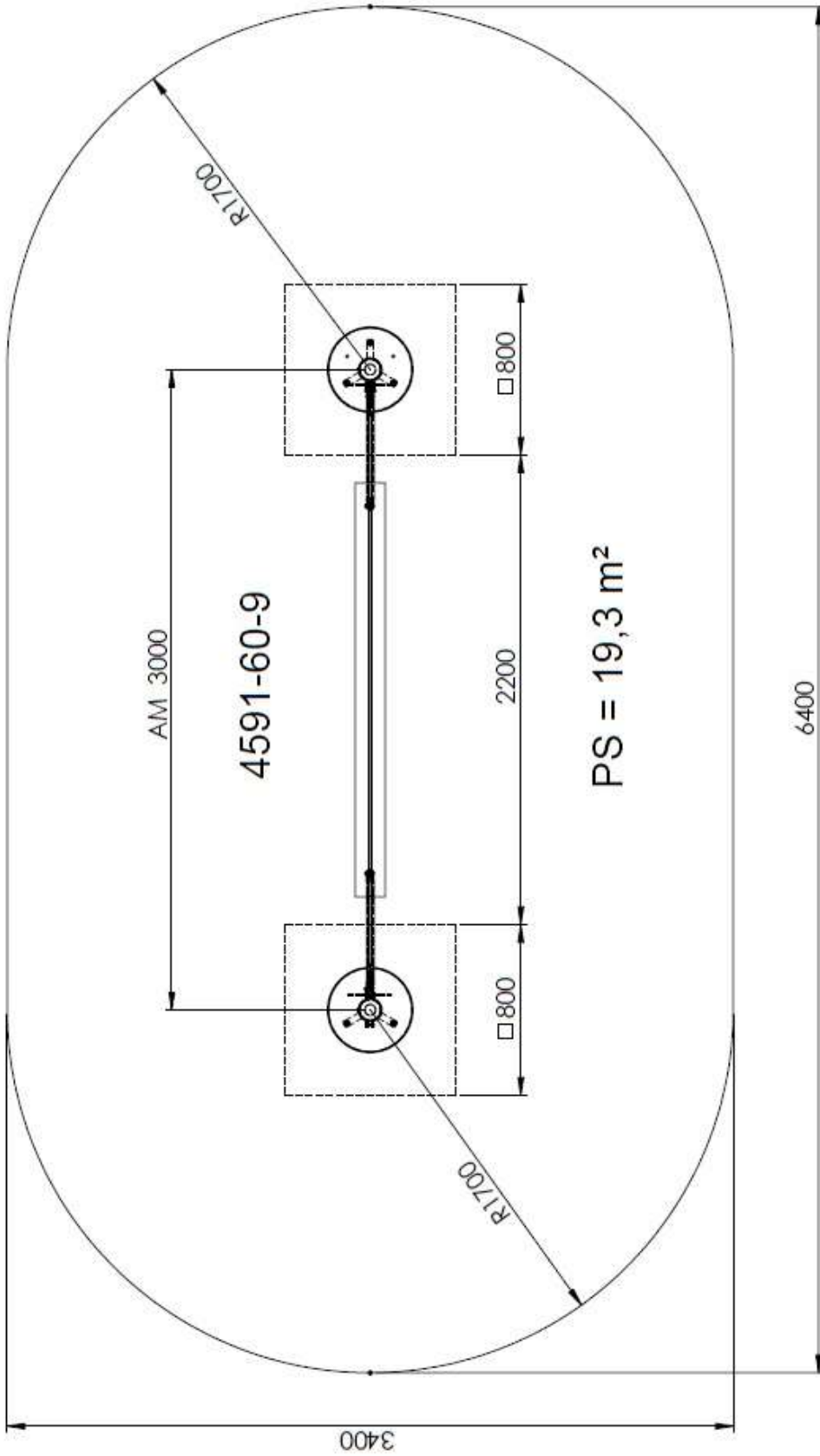


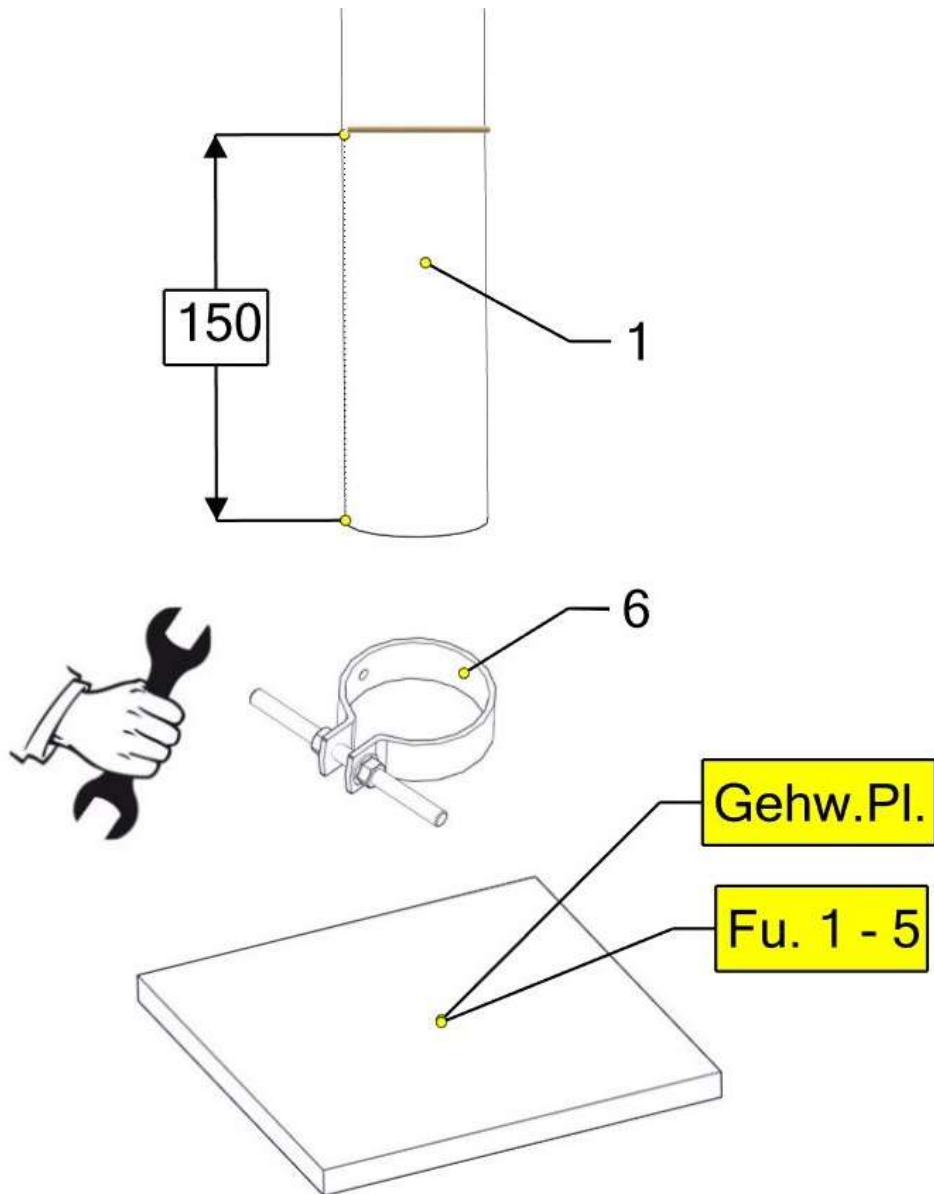


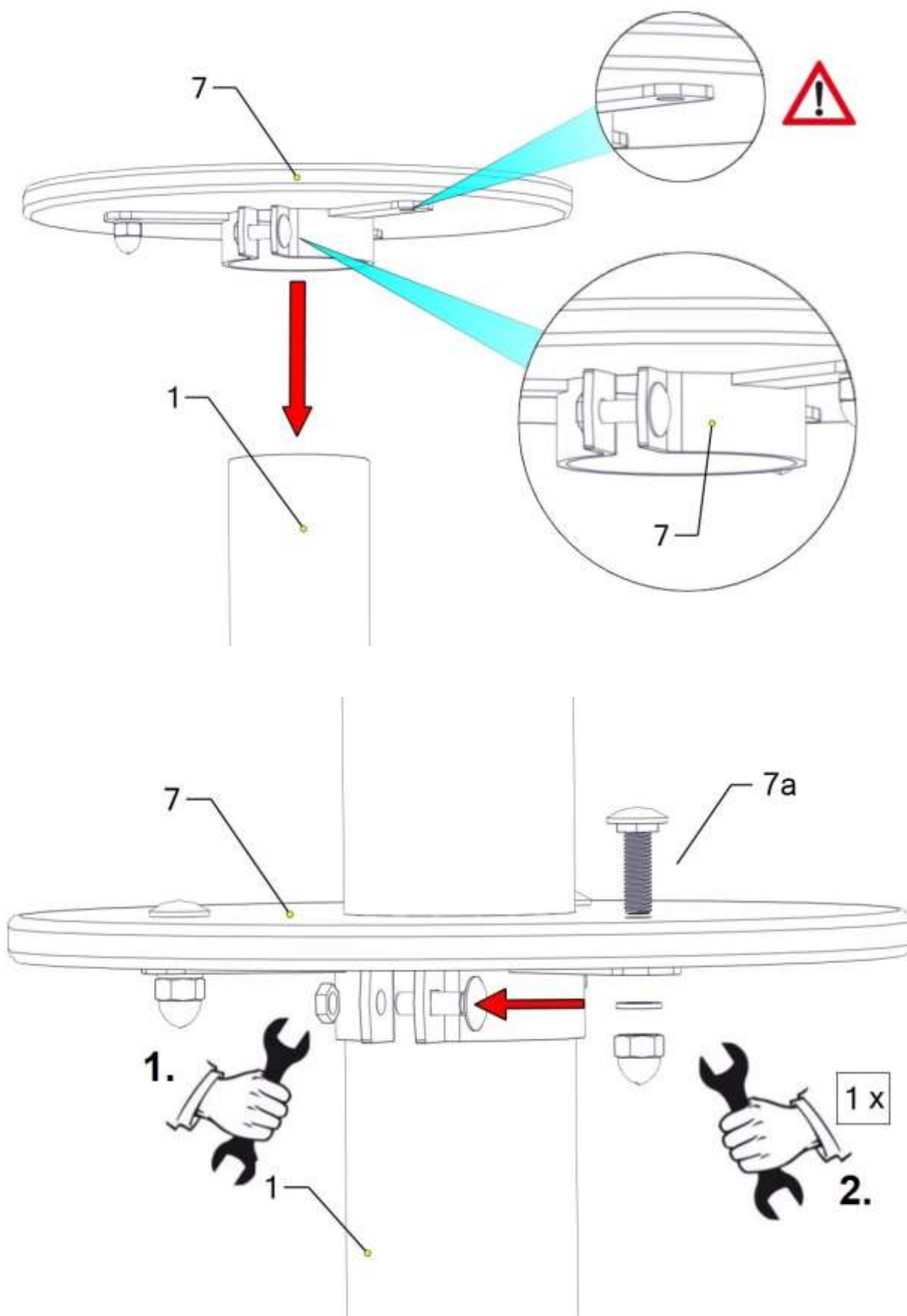


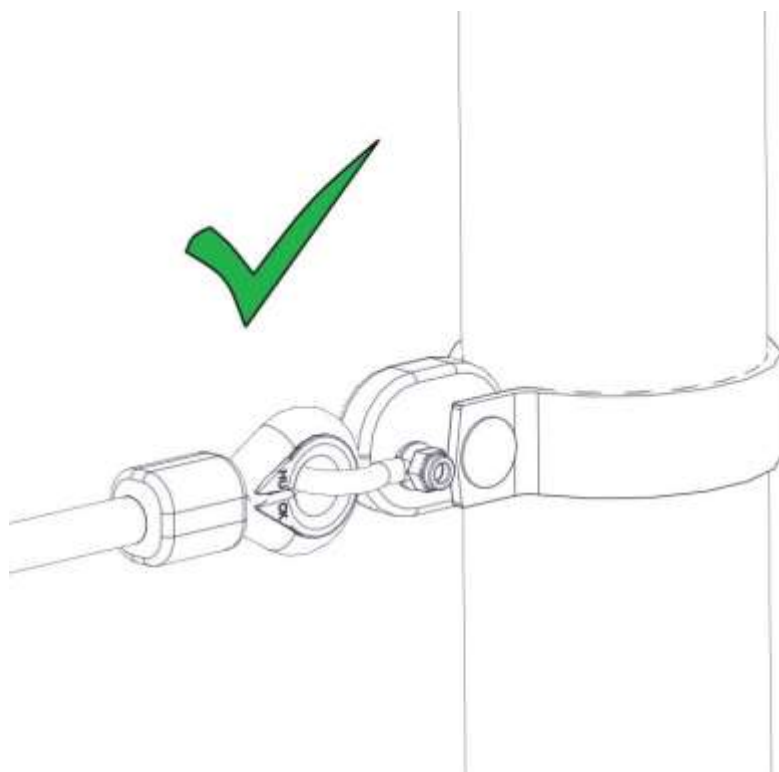
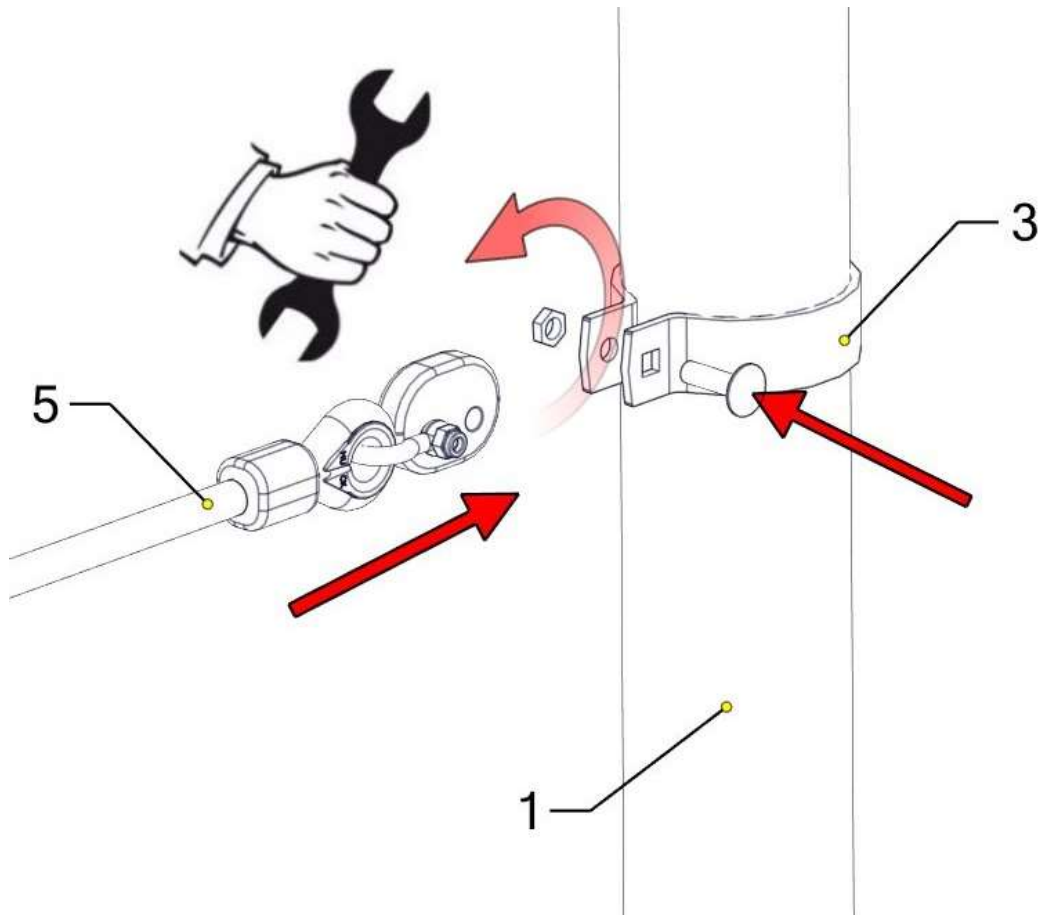
4591-60-9

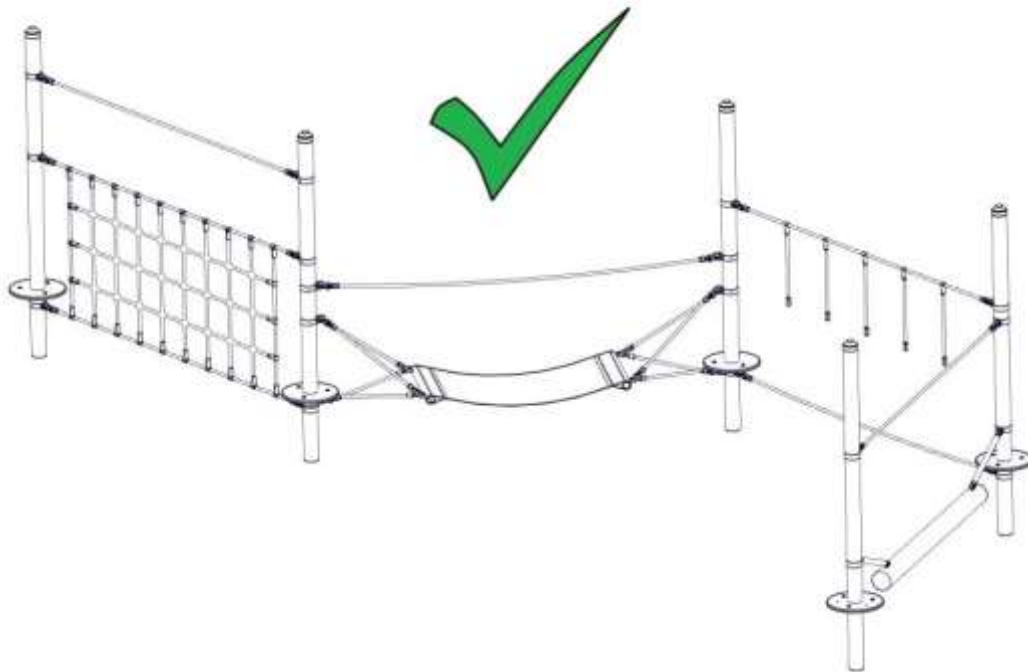












5 Post installation checks

Post installation checks



Notice

If the equipment has not been installed safely, you must ensure that the public is prevented from using it.

5.1 Marking filler depth

Labelling the posts to show the depth of material provided as fall protection (i.e. loose filler).

5.2 The equipment has not been installed safely in the following cases:

Installation of equipment is not complete.

The protective surface has not been installed yet.

Appropriate maintenance work cannot guarantee operational safety.

5.3 Removal of all assembly aids

Please make sure that all assembly aids have been removed from the playing area. The equipment must not be approved for use until this check has been carried out.

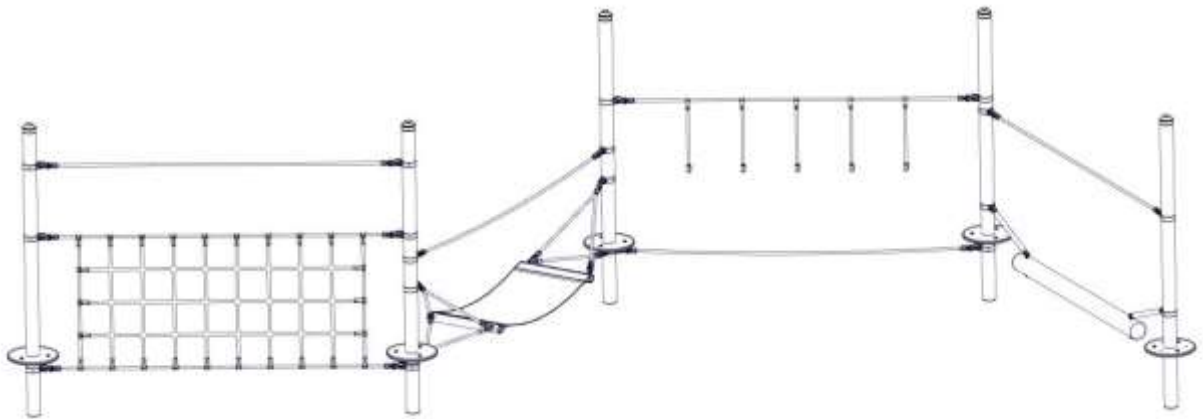
5.4 Information about inspection of the equipment before it is used for the first time

There are no special inspection requirements to be met before the equipment is used for the first time.

5.5 Retighten bolts

After one week of play, please retighten all bolts again. Later upon respective maintenance.

B Maintenance instructions
Adventure Course, Art.-No. 4591-60 (3, 5, 8, 9)
Design: Steel post



Revisionshistorie
Revision 0 – 2007- 07-10
Erste freigegebene Version
Wartungsanleitung JF
Revision 11 – 2020-12-16 FH
neue Form der Anleitung
Alle Rechte vorbehalten
© Copyright 2010 Huck Seiltechnik GmbH

Introduction Maintenance

5.6 General informations

This equipment should be installed, inspected, maintained and operated in accordance with EN 1176-7 guidelines.



Please note: Providing any necessary repairs are carried out, a piece of play equipment that is inspected regularly cannot become so damaged that it is dangerous.

Any spare parts which may be required can be obtained directly from your supplier.



This equipment should only be assembled, maintained and repaired by **persons with the necessary expertise**.

A copy of the inspection record should be given to the operator, who must confirm receipt.

This maintenance instruction is based on the standard “EN 1176-1:2017”.

6 General maintenance information

6.1 Maintenance intervals

Maintenance intervals are based on average use. Please note that more frequent inspections and/or maintenance are required if the play equipment is subject to intensive use.

6.2 Inspection frequency

The frequency of inspections must be based on actual use. Factors that affect frequency include vandalism, location (e.g. coastal proximity), air pollution and the age of the equipment.

6.3 Maintenance products and procedures

All nuts and bolts are hot-dip galvanised or stainless steel. One of the characteristics of stainless steel is that uncontrolled cold welding may occur when the nuts are tightened. To prevent this, it is necessary to spray the nuts and bolts with Teflon spray or another similar lubricant.

6.4 Spare parts

All spare parts must conform to the manufacturer's specifications.

6.5 Identifying spare parts

All spare parts are listed in the parts list. The parts list follows the installation requirements.

6.6 Special instructions for the disposal of individual equipment components

No special instructions are necessary.

6.7 Special measures during the break-in period

No later than 2 weeks after assembly, all screwed connections should be checked and tightened if necessary.

6.8 Maintenance of protective surfaces

Surfaces providing fall protection must also be maintained regularly. It is particularly important to maintain the correct level of loose surface material and add more if necessary.

6.9 Faults



Damages must be repaired as soon as they are detected. If serious defects that affect the safety cannot be repaired straight away, the playground item must be blocked with immediate effect.

6.10 Loose screws



Loose screws always cause quality problems and put safety at risk. Therefore, loose screws should always be tightened and checks carried out to ensure that there are no missing screws.

6.11 Preventing equipment use

Use of the equipment should be prevented in the event of incomplete installation, disassembly, maintenance, repairs and faults.

6.12 Claims/liability for faults (steel poles)

Steel posts and footings are covered by our guarantee if regular maintenance is carried out and recorded in writing.

Our general terms and conditions apply. Maintenance of steel poles first takes place after 3 years. The steel posts must be excavated down to the concrete foundations and checked for corrosion.

Zinc paint should be applied to any corroded areas and scratches.

Check ropes for abrasion, replace ropes where coating is damaged down the Steel inlet.

7 Maintenance timetable

7.1 Special advices

7.1.1 Maintenance interval

We strongly advise you to carry out inspections and maintenance work within the specified periods as use of the equipment, the weather and malicious vandalism cause wear and tear that compromises the safety and function of the equipment.

7.1.2 Maintenance intervals in the event of intensive use

Please note that more frequent inspections and/or maintenance are required if the play equipment is subject to intensive use.

7.1.3 Faults that compromise safety



Notice

In the event of a fault that compromises safety, quick action must be taken. This may involve repairing it immediately or shutting down and dismantling the equipment.

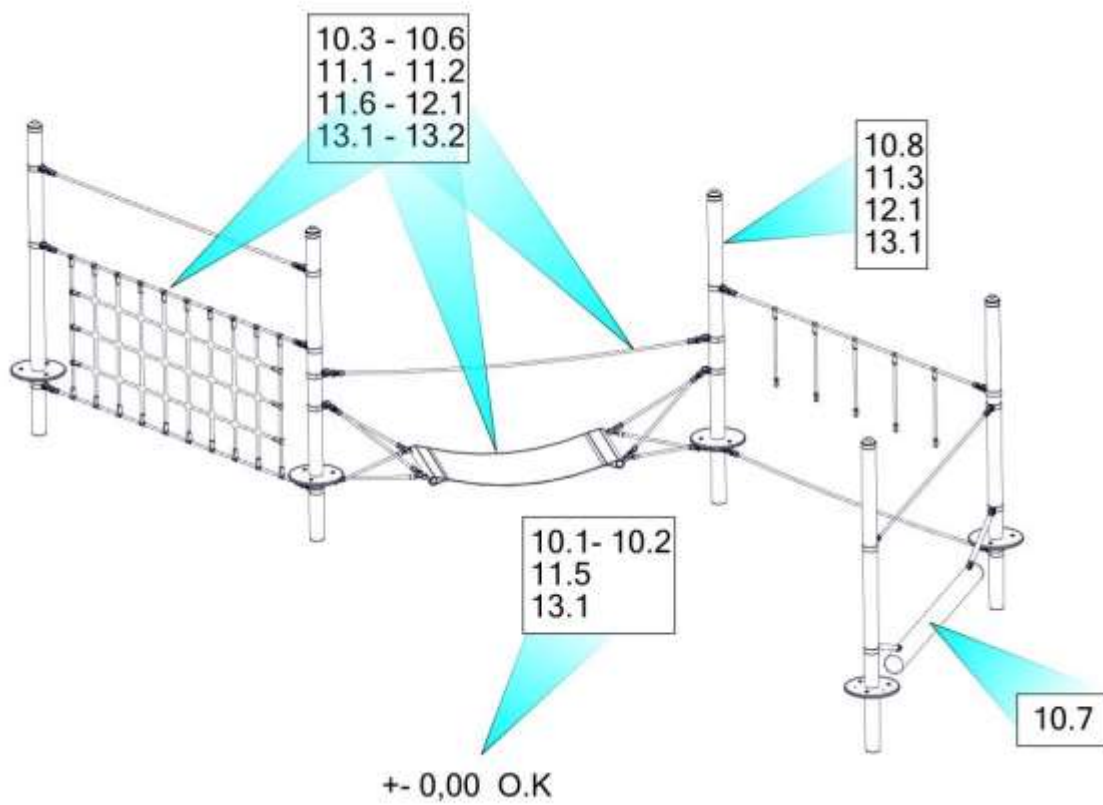
7.1.4 Faults that compromise function



Notice

Faults that compromise function should also be repaired immediately. Such faults lower the value of the equipment to the user and encourage malicious vandalism, which may render the equipment less safe. Any damage should also be repaired immediately.

8 Scheduled service



9 Monthly maintenance

- 9.1 Check the spaces between the equipment and the ground (clearance and height of fall).**
- 9.2 Check the ground surface of fall protection for hard objects and loose foundations.**
- 9.3 Check all connecting elements and fittings for wear and tear and tighten if necessary. Replace damaged or missing parts.**
- 9.4 Check that moving metal parts (joints, springs, etc.) move smoothly and are not worn. Replace if necessary. It is not necessary to lubricate joints as we only use maintenance-free metal roller bearings.**
- 9.5 Check all attachments such as chains, ropes, nets, etc. for damage and replace if necessary.**
- 9.6 Check rubber parts, sleeves, etc. for wear and tear or damage and replace if necessary.**
- 9.7 If necessary, remove excess padding material from the post footings due to danger of rotting.**
- 9.8 Check the surface of wooden parts for damage caused by the weather or external influences and mould. Repair or replace if necessary.**
- 9.9 Check the surface of plastic and metal parts, e.g. slides, for damage and replace if necessary.**

10 Quarterly maintenance

- 10.1 Detailed inspection of the operation and stability of the equipment paying particular attention to any wear and tear.**
- 10.2 Tighten all forms of attachment.**
- 10.3 Repaint and retreat surfaces.**
- 10.4 Maintenance of fall protection surfaces.**
- 10.5 Lubrication of joints.**
- 10.6 Check height of fall protection material and top up with loose filler if necessary. If the posts are labelled, top up to the mark.**
- 10.7 Retighten all bolts.**

11 Half yearly maintenance

- 11.1 The stability of supporting posts, supports, foundations etc. has to be checked. The safety level of the entire system has to be checked after repairs have been carried out or additional system components have been installed or replaced.**



Annual Maintenance

12 Annual maintenance

- 12.1 **Ascertaining that the equipment, foundations and surfaces are safe for operation.**
- 12.2 **In particular, the equipment should be checked for decay and corrosion. It may be necessary to dig out or excavate certain components in order to do so. Zinc paint should be applied to corroded areas and scratches.**



The equipment must be inspected by someone **with the necessary expertise** in strict compliance with the instructions issued by Huck Seiltechnik GmbH.

A copy of the inspection record should be given to the operator, who must confirm receipt.

13 Maintenance printout

Name of item: Adventure Course _____ / Art. No. 4591-60 _____

Location: _____

Customer or operator: _____
 (Town, Town council, Kindergarten)

Date of inspection	Inspector	O.K.	Accessible	Barriered	Defects	Repaired by	Date

Please copy and return once a year after main inspection has been carried out to the manufacturer by Telefax +49(0)6443/ 83 11 79!
Place the confirmation form in the play equipment files.

14 Hand over document



After the installation of the equipment pass the installation and maintenance documents to the operator. The operator has to receive the hand over documents. The complete filled and signed hand over document should be sent to the supplier.

Art.-No.: 4591-60

Type of item: Adventure Course

Serial number: _____

Customer or operator (Town, Town council, Kindergarten, etc.):

Competent person in charge:

Installation company (address):

Responsible assistant (assembler):

Received the complete assembly instructions, maintenance instructions and maintenance printout.

(Signature of operator) (Signature of installation company)
(Stamp)

Date: _____