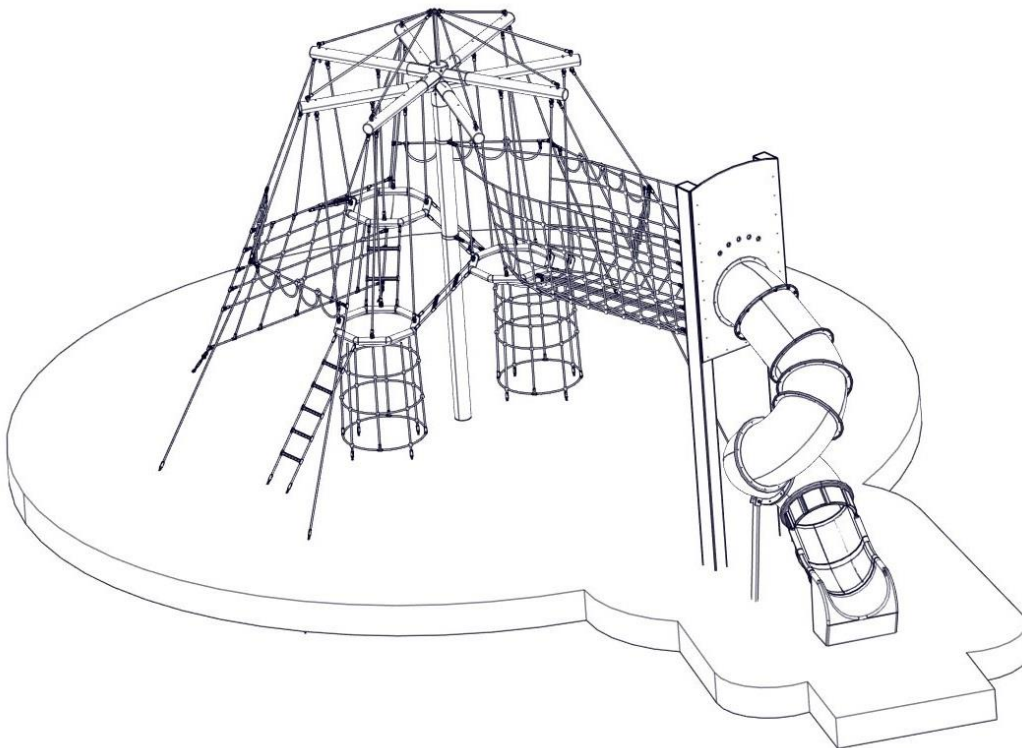


## **A Assembly Instructions**

### **Bird's nest tree with bridge and spiral slide**

#### **Art.-No. 4652-3**

**Attention! Only use the assembly instructions included in the scope of delivery for the assembly, installation and maintenance of the respective equipment!**



**Operator:** \_\_\_\_\_

**Location:** \_\_\_\_\_

**Revisionshistorie**

Revision 0 – 2018-12-06 PM

Erste freigegebene Version

Montageanleitung

Revision 4 – 2023-10-04

Mindestraum 300 mm kleiner FH

Alle Rechte vorbehalten

© Copyright 2015 Huck Seiltechnik GmbH

**Please note the explanations and abbreviations and notes.  
For any queries please contact the manufacturer**

## Contents

<b>A</b>	<b>Assembly Instructions Bird's nest tree with bridge and spiral slide Art.-No. 4652-3</b>	<b>1</b>
1	Introduction Assembling	4
2	Datasheet: Bird's nest tree with bridge and slide Art.-Nr.4652-2S	5
3	Delivery contents (parts list with part numbers)	7
4	Abbreviations	15
5	Assembly instructions	17
6	Post installation checks	33
<b>B</b>	<b>Maintenance instructions Bird's nest tree with bridge and spiral slide Art.-No. 4652-3</b>	<b>35</b>
7	Introduction Maintenance	37
8	General maintenance information	38
9	Maintenance timetable	40
10	Regular maintenance	41
11	Monthly maintenance	42
12	Quarterly maintenance	42
13	Half yearly maintenance	43
14	Annual maintenance	43
15	Maintenance printout	45
16	Hand over document	47

## List of Tables

Table 3-1: Delivery contents, in words	7
Table 3-2: Delivery contents, in symbols	10

## 1 Introduction Assembling

### 1.1 General information

This equipment should be installed, inspected, maintained and operated in accordance with EN1176-7 guidelines.

**Before installation work commences, please check that you have all of the equipment and fixation components in the parts list provided (see Tables 3-1 and 3-2).**

**Please consider that the installation has to be carried out only on even terrain (max.slope up to 3%).**

Any spare parts that may be required can be obtained directly from your supplier or from Fa. Huck Seiltechnik GmbH

Adress: Huck Seiltechnik GmbH  
Dillerberg 3  
D-35614 Asslar/Berghausen  
Tel. +49 6443 83 11-0  
Fax +49 6443 83 11-79

Please do not hesitate to call your supplier if you have any problems during installation or with any other questions. You can reach us at the following **Tel. +49 6443 83 11- 0.**



Following installation, complete assembly instructions, maintenance instructions and a maintenance record must be sent to the operator who must confirm receipt in writing. See the last page of this document.



All nuts and bolts are hot-dip galvanised or stainless steel. One of the characteristics of stainless steel is that uncontrolled cold welding may occur when the nuts are tightened. To prevent this, it is necessary to spray the nuts and bolts with Teflon spray or another similar lubricant.

---

**We hereby confirm that this play equipment has been tested and certified in accordance with the play equipment standard EN 1176-1.**

## 2 Datasheet: Bird's nest tree with bridge and spiral slide Art.-Nr.4652-3

- Component zone: 12.55 m x 7.10 m  
 Impact area: Ø 16.20 m x 10.20 m  
 height of fall: 5.95 m  
 Free height of fall: 2.80 m  
 Fall protection area: 104 m<sup>2</sup>

2. Required safety surface:

Surface material	Description mm	Minimum thickness of layer mm	Maximum height of fall mm
Topsoil grass			<= 1000
Chipped bark	20 – 80 grain size	300 400	<= 2000 <= 3000
Wood chippings	5 – 30 grain size	300 400	<= 2000 <= 3000
Sand	0,2 – 2 grain size	300 400	<= 2000 <= 3000
Gravel	2 – 8 grain size	300 400	<= 2000 <= 3000
Other ground materials	As recommended by manufacturer		Critical fall height as checked

**Name and overall dimension of the largest component:**

bridge frame (1 piece) length 6000 mm, 260 x 180 mm

**Name and weight of the heaviest component:**

bridge frame (1 piece) ~ 920 Kg

**Intended age group:** 6 years and over



**Please note that this equipment is set in concrete.**

Concrete: C25/30

Required concrete: 4,75 m<sup>3</sup>

Foundations/area to be excavated:

excavated (All foundations must be brought to equal level!)

### Foundation size

1x 1600 x 1600 x 800 mm

2x 1400 x 800 x 600 mm

13x 400 x 400 x 500 mm

1x 700 x 400 x 500 mm

1x 800 x 300 x 600 mm

1x 550 x 400 x 400 mm

### Excavation size

1x 1600 x 1600 x 1300 mm including 100 mm drainage

2x 1400 x 800 x 1100 mm including 100 mm drainage

13x 400 x 400 x 1000 mm including 100 mm drainage

1x 700 x 400 x 1000 mm including 100 mm drainage

1x 800 x 300 x 1100 mm including 100 mm drainage

1x 550 x 400 x 900 mm including 100 mm drainage



**Foundation edges must be rounded off (min.R = 100 mm)!**

**Sizes of foundations are designed for soils class "4-5" (natural ground).**

**Soil class 3:** Non-cohesive to low-cohesive plasticity, sand, gravel and sand-gravel-mixtures, with very low portion of stones portion of stones (portion > 30% with bigger dia-meter of 63 mm grain size)

**Soil class 4:** soft to medium plasticity, interleave bound, with minor portion of stone (portion < 30% with bigger diameter of 63 mm grain size)

**Soil class 5:** **Soil class 5:** ground with soil class 3 and 4 with big portion of stones (portion > 30% with bigger diameter of 63 mm grain size)

**IN CASE OF SANDY AND SOFT SOILS, THE SURFACE DIMENSIONS OF FOUNDATIONS HAVE TO BE ENLARGED FOR ABOUT 50%!.**

**Assembly time, once foundations complete:**

After completion of concrete foundations approx. 7 hours

**Required assistance:** 3 persons.

**Required tools:** wheel excavator or similar with a lifting height of approx. 4 m height ladder approx. 4 m long, spirit level, various wrenches and screwdriver.

**Any spare parts which may be required can be obtained directly from your supplier or from Fa.Huck Seiltechnik GmbH**

**Adress:** Huck Seiltechnik GmbH  
Dillerberg 3  
D-35614 Asslar/Berghausen  
Tel. +49 6443 8311-0  
Fax +49 6443 8311-79

**We hereby confirm that this item of play equipment has been tested and certified in accordance with the play equipment standard EN 1176.**

## Drawings / Views

All optical drawings are showing only the measurements/dimensions and are no mandatory technical views of the complete item.

We reserve the right to change technical details of our articles which are serving for the further development of our articles and are reasonable for the customer.

## Measurement tolerances

Because of the properties and characteristics of the components, minor measurement tolerances compared to the indication on the sketches are possible.

This concerns all shown measurements except the foundation measurements resp. measurements below upper edge ground level/play area.

### 3 Delivery contents (parts list with part numbers)

#### 3.1. In words

Table 3-1: Delivery contents, in words

Pos.	Quantity	Element / Description	Size	O.K.	Mis-sing
1	1	Steel post	Ø193,7 mm / length 6200 mm		
2	1	Play part (nets and bird nests)	Ø8000 mm		
3	1	Post cover	for Ø 193,7 mm		
4	8	beam	Ø 139,7 mm /length 1650 mm		
5	1	Suspension ropes (pre-assembled)	length		
6	1	Blue Flag with threaded rod	M16		
7	17	Chain adapter (stainless steel)	M12		
8	17	Fix anchor	M12		
9	23	Washer Stop nut Black cover cap	M12 M12 / galvanized M12		
10	7	Ring nut	M12 / stainless steel		
11	8	Cover cap	Ø140 mm		
12	12	self-tapping screw	5,5 x 25 mm		
13	8	threaded bolt	M10 x 175 mm / stainless steel		
14	16	washer head nut	M10 M10 / stainless steel		
15	8	Allen screw	M12 x 25 mm stainless		
16	2	loctite	3ml		
17	1	Anchor plate+ RS M16x25 mm+ Hexagon nut	500 x 500 mm		
18	2	Washer Stop nut black cover cap	M10 M10 M10		
19	100 95 80	Washer Stop nut lock screw	M8 M8 M8 x 30 mm		
20	180	Cover cap	2 part		
21	4	threaded screw	M8 x 15 mm		

Table 3-1: Delivery contents, in words

<b>Pos.</b>	<b>Quantity</b>	<b>Element / Description</b>	<b>Size</b>	<b>O.K.</b>	<b>Mis- sing</b>
<b>22</b>	2	threaded bolt	M12 x 75 mm		



<b>23</b>	1	threaded bolt	M12 x 235 mm		
<b>24</b>	2	Chain for foundation	10er / length 1,0 m		
<b>25</b>	2	turnbuckle	M12		
<b>26</b>	12	Washer Stop nut Button head screw (pre-assembled)	M8 / stainless steel M8 / galvanized M8 x 30 mm		
<b>27</b>	1	Bridge frame	Ca. 6000 mm / 260 x 180 mm		
<b>28</b>	9	Spiral slide part 1	Ø 760 mm / 9 individual parts		
<b>29</b>		Spiral slide part 2	Ø 760 mm / 2 individual parts		
<b>30</b>	1	Loop for spiral slide	length ca. 2000 mm		
<b>31</b>	1	Threaded bolt	M10 x 85 mm		
<b>32</b>	2	Pipe clamp	Ø 193,7 mm		
<b>33</b>	2	Aluminum adapter (pre-assembled)	66 x 50 mm		
<b>34</b>	2	Washer Head nut Lock screw	M10 M10 M10 x 40		
<b>35</b>	2	Tab for Spiral slide exit foundation	length ca. 900 mm		
<b>36</b>		pipe (on-site customer)	Ø400 mm / length 850 mm		

### 3.2. In symbols

Table 3-2: Delivery contents, in symbols



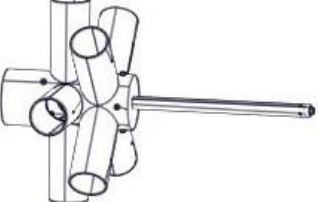
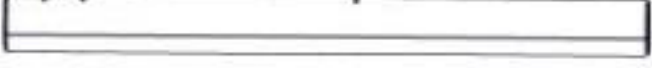

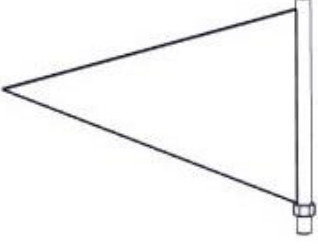
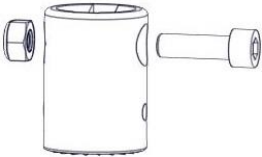
Pos.	Quantity	Symbol
1	1	 Ø193,7 mm / length 6200 mm
2	1	 Ø8000 mm
3	1	 Ø193,7 mm
4	8	 Ø139,7 mm / length 1650 mm
5	4	
6	1	 M16
7	18	 Chain adapter (stainless steel) M12

Table 3-2: Delivery contents, in symbols


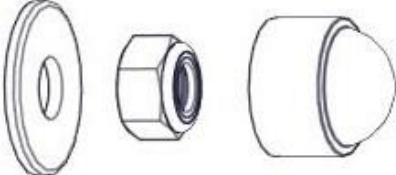




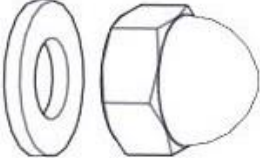
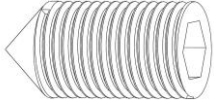
Pos.	Quantity	Symbol
8	18	 Fix anchor M12
9	17	 M12
10	7	 M12
11	8	 Ø140 mm
12	24	 5,5 x 25 mm
13	8	 M10 x 175 mm
14	19	 M10
15	8	 M12 x 25 mm

Table 3-2: Delivery contents, in symbols

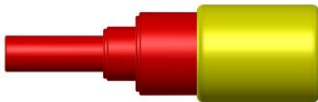

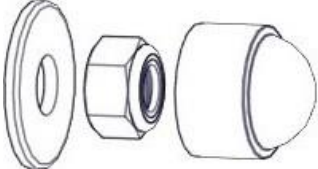
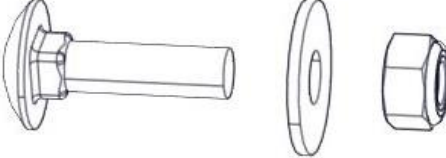
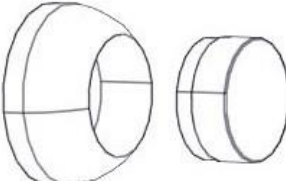
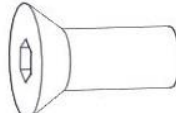



Pos.	Quantity	Symbol
16	2	 ever 3ml
17	1	 RS M16x25 mm    500 x 500 mm    Hexagon nut M16
18	2	 M10
19		 M8 / (lock screw M8 x 30 mm)
20	180	 2 part
21	4	 M8 x 15 mm
22	2	 M12 x 75 mm
23	1	 M12 x 23,5 mm
24	2	 10er / length XXX

Table 3-2: Delivery contents, in symbols

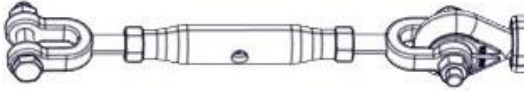
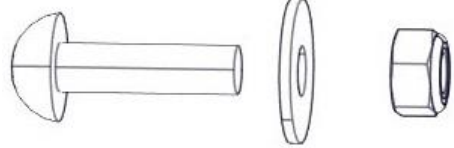
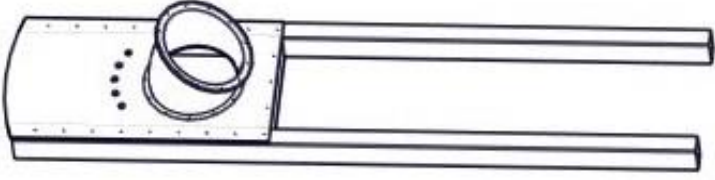
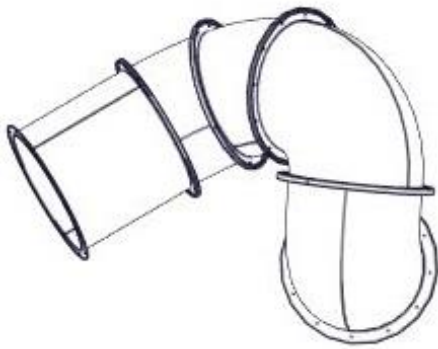


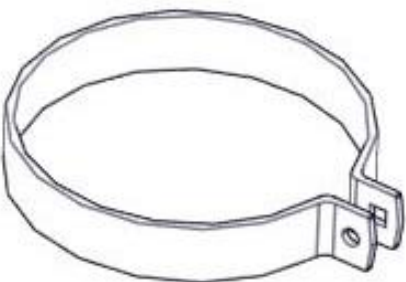
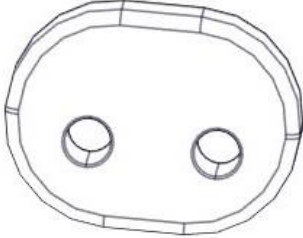
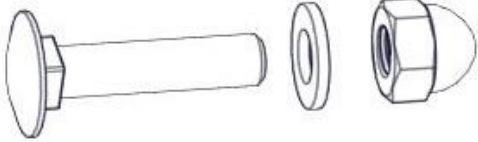



Pos.	Quantity	Symbol
25	2	 M12
26	12	 M8 / (button head screw M8 x 30 mm)
27	1	 length 6000 mm / profile 260 x 180 mm
28	9 pcs.	 Ø760 mm / 9 Individual parts pre-assembled
30	1	 length ca 2000 mm
31	1	 M10 x 85 mm
32	2	 Ø193,7 mm

Table 3-2: Delivery contents, in symbols

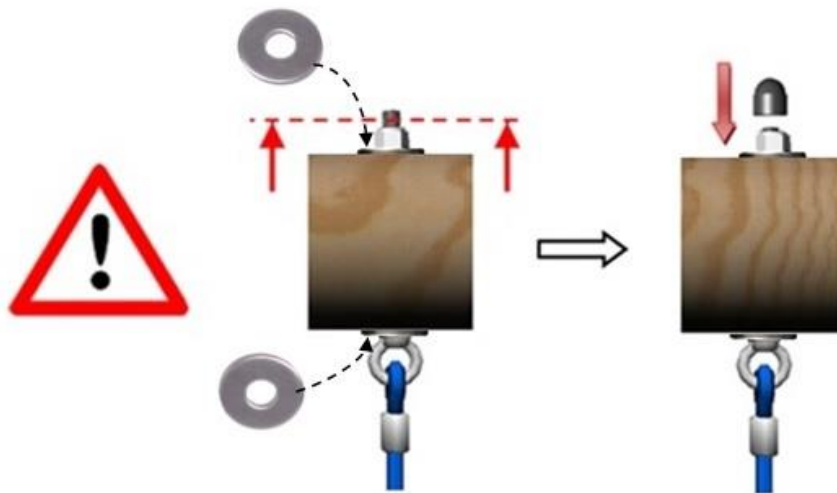
Pos.	Quantity	Symbol
33	2	 <p data-bbox="810 660 986 694">66 x 50 mm</p>
34	2	 <p data-bbox="662 887 1131 920">M10 / Lock screw M10 x 40 mm</p>
35	2	 <p data-bbox="762 1014 1023 1048">length ca. 900 mm</p>
36		 <p data-bbox="587 1279 1209 1312">Ø400 mm / length 850 mm by the customer</p>

	<b>Abbreviations</b>
<b>AB</b>	The legally prescribed setting periods must be observed!
<b>D</b>	C25/30 concrete (for foundations) Q.ty required: 4,74 m <sup>2</sup>
<b>DT</b>	Detail
<b>F</b>	Fall protection
<b>G</b>	Drainage layer
<b>DT</b>	Deal view / pay attention to the following assembly picture!
<b>RGS</b>	Achtung ! Rutsche muss gestützt werden!
<b>KBE</b>	Fasten the steel mast (item 01) with wedges so that it can be positioned upright
<b>O.K.</b>	Upper edge of playing level / + -0.00 mm
<b>O.K-F</b>	Upper edge of the foundation / - 400 mm
<b>PS</b>	Minimum space including security area ~ 104 m <sup>2</sup>
<b>MEB</b>	Note the marking when installing the post!
<b>LRB</b>	Fill the central mast all around with concrete [between the empty pipe (item 36) and middle mast (item 01)]
<b>SHA</b>	Adjust the height of the clamp / ropes must be tensioned
<b>KLA</b>	Kettenlänge anpassen!
<b>ANS</b>	Tension the climbing net with a turnbuckle!
	<p style="text-align: center;"><b><u>Foundation edges must be rounded off (min.R = 100 mm)</u></b>  <b><u>Sizes of foundations are designed for soils class“4-5” (natural ground).</u></b></p> <p><b><u>Soil class 3:</u></b> Non-cohesive to low-cohesive plasticity, sand, gravel and sand-gravel-mixtures, with very low portion of stones portion of stones (portion &gt; 30% with bigger diameter of 63 mm grain size)</p> <p><b><u>Soil class 4:</u></b> soft to medium plasticity, interleave bound, with minor portion of stone (portion &lt; 30% with bigger diameter of 63 mm grain size)</p> <p><b><u>Soil class 5:</u></b> <b><u>Soil class 5:</u></b> ground with soil class 3 and 4 with big portion of stones (portion &gt; 30% with bigger diameter of 63 mm grain size)</p> <p style="text-align: center;"><b><u>IN CASE OF SANDY AND SOFT SOILS, THE SURFACE DIMENSIONS OF FOUNDATIONS HAVE TO BE ENLARGED FOR ABOUT 50%!.</u></b></p>

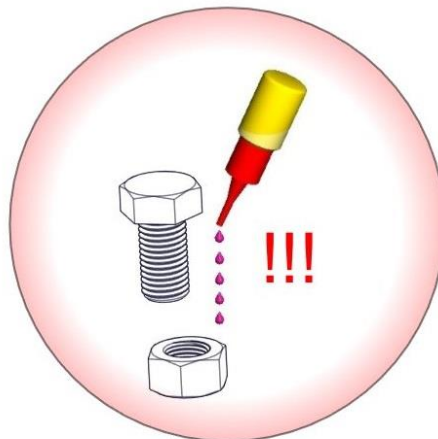
**The natural properties of wood can lead to different cross-sections in heat and humidity.**

**e.g. Post Ø 180 mm (tolerance 173mm - 183mm)**

**Possible lengths of the eye bolts or bearings are then to cut!**



**Screw locking device!**



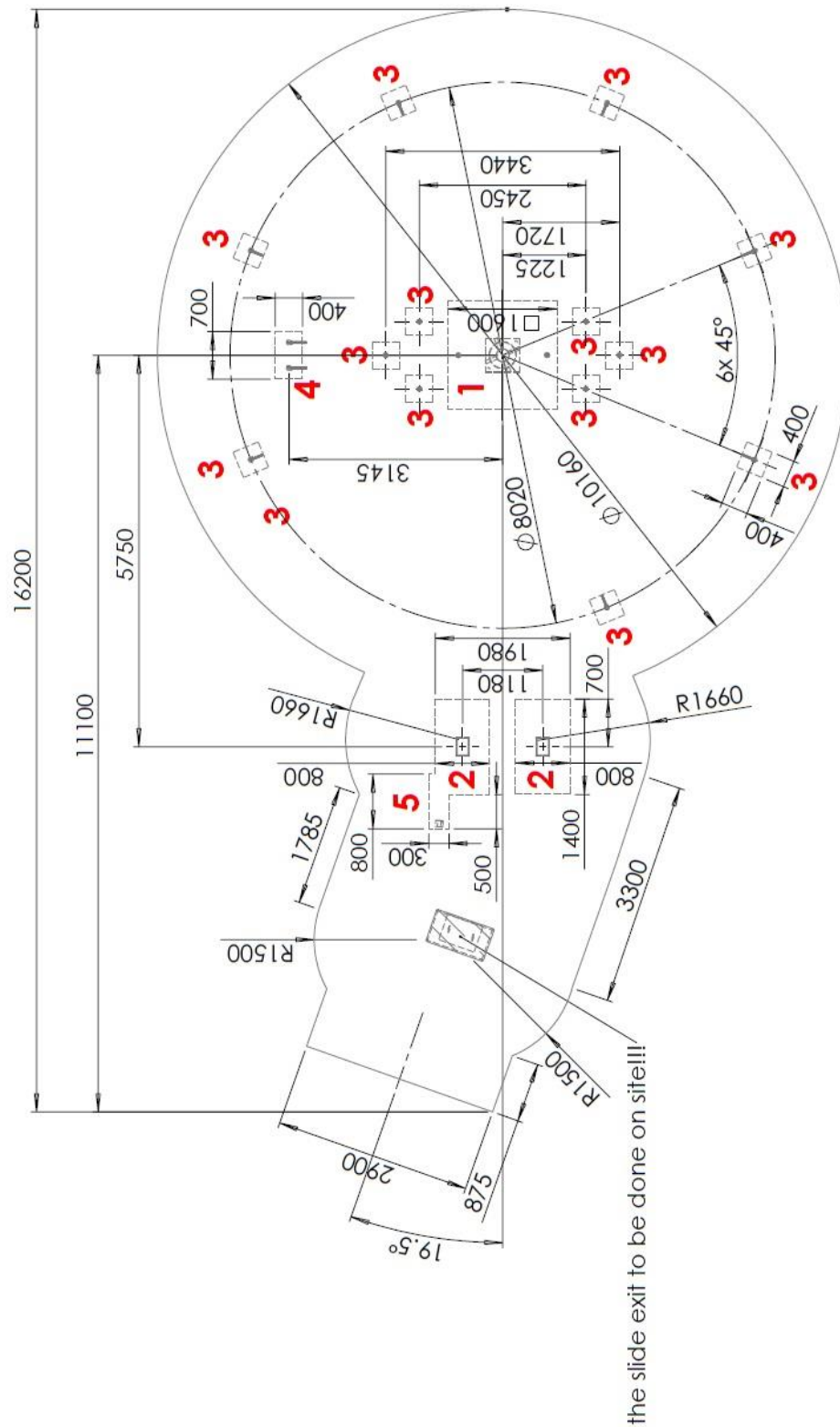
**Glue all screws, nuts and sleeves with loctite.**

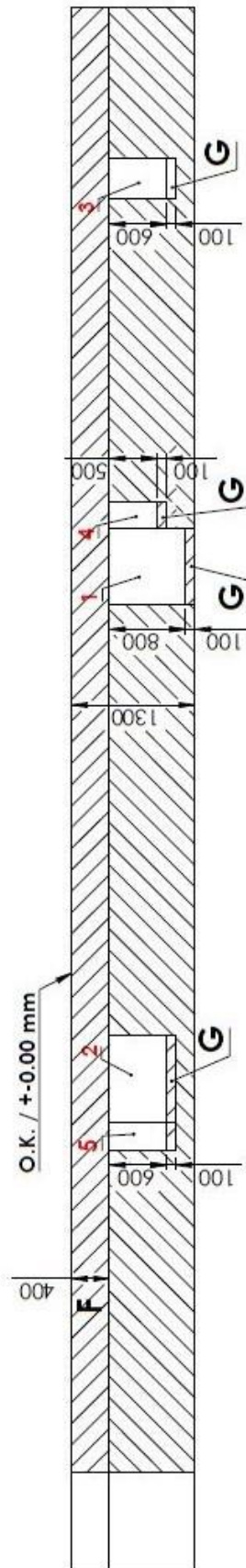
**(not less than 5 drops!)**

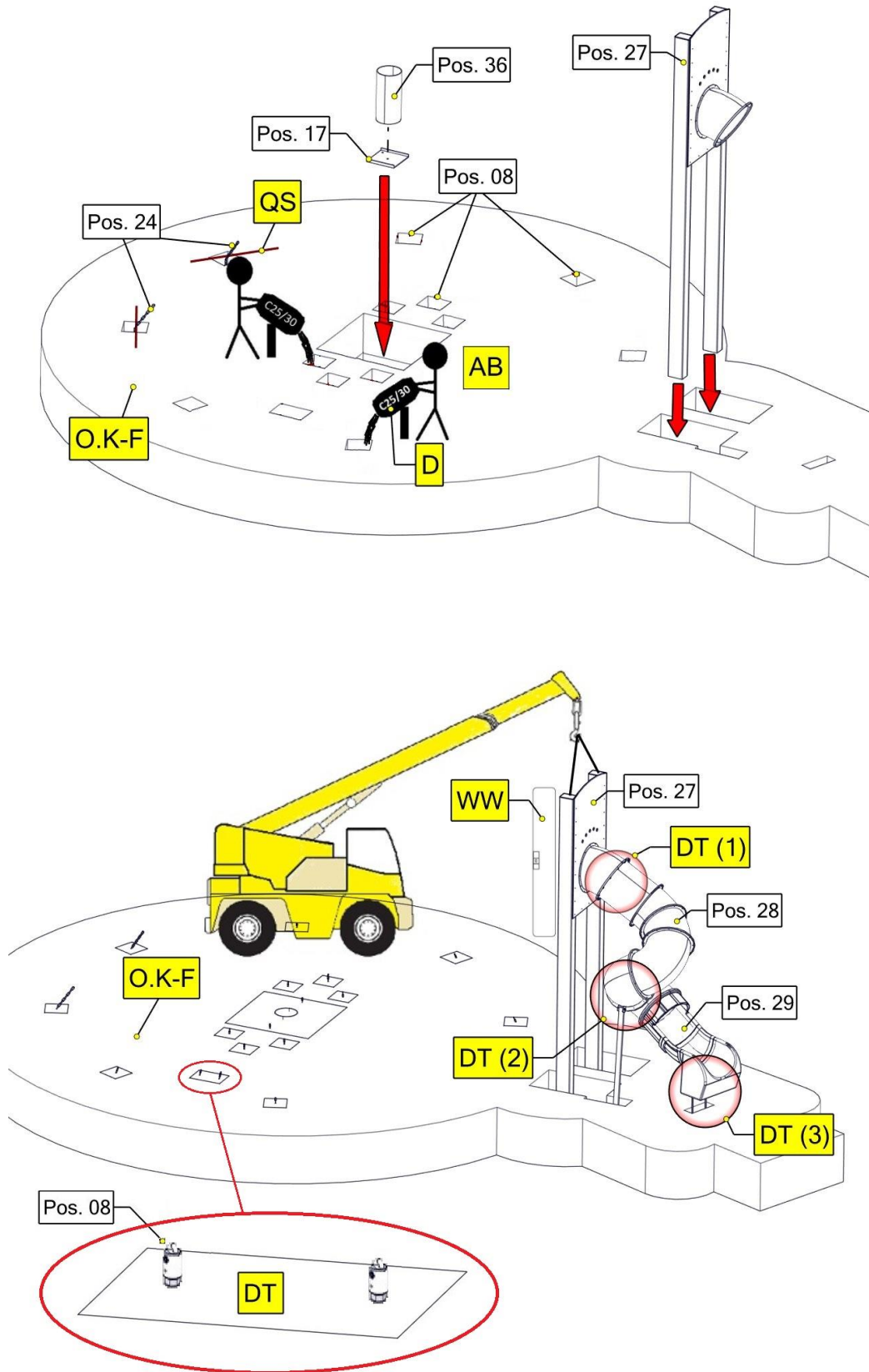
**(except for lock nut)**

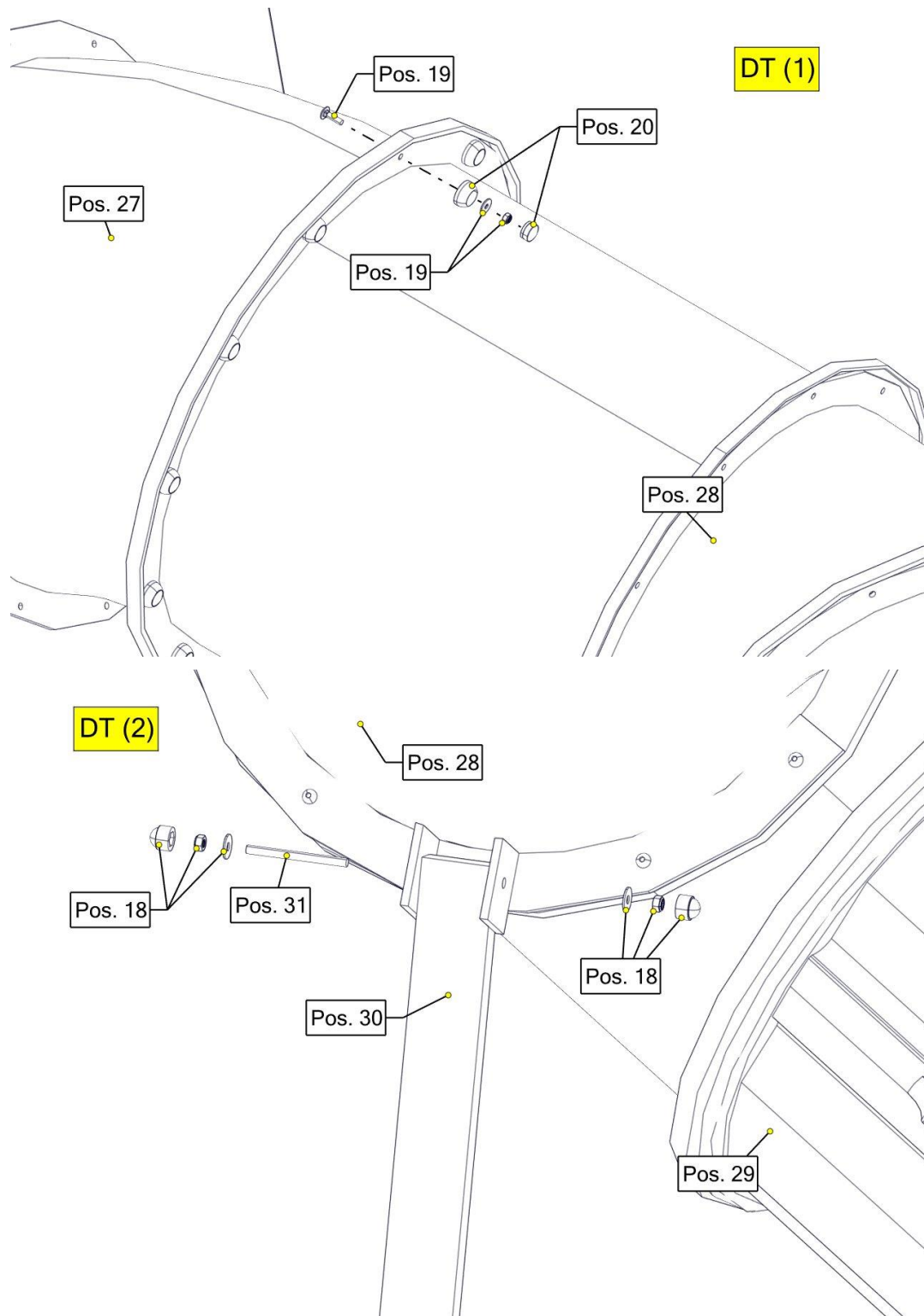


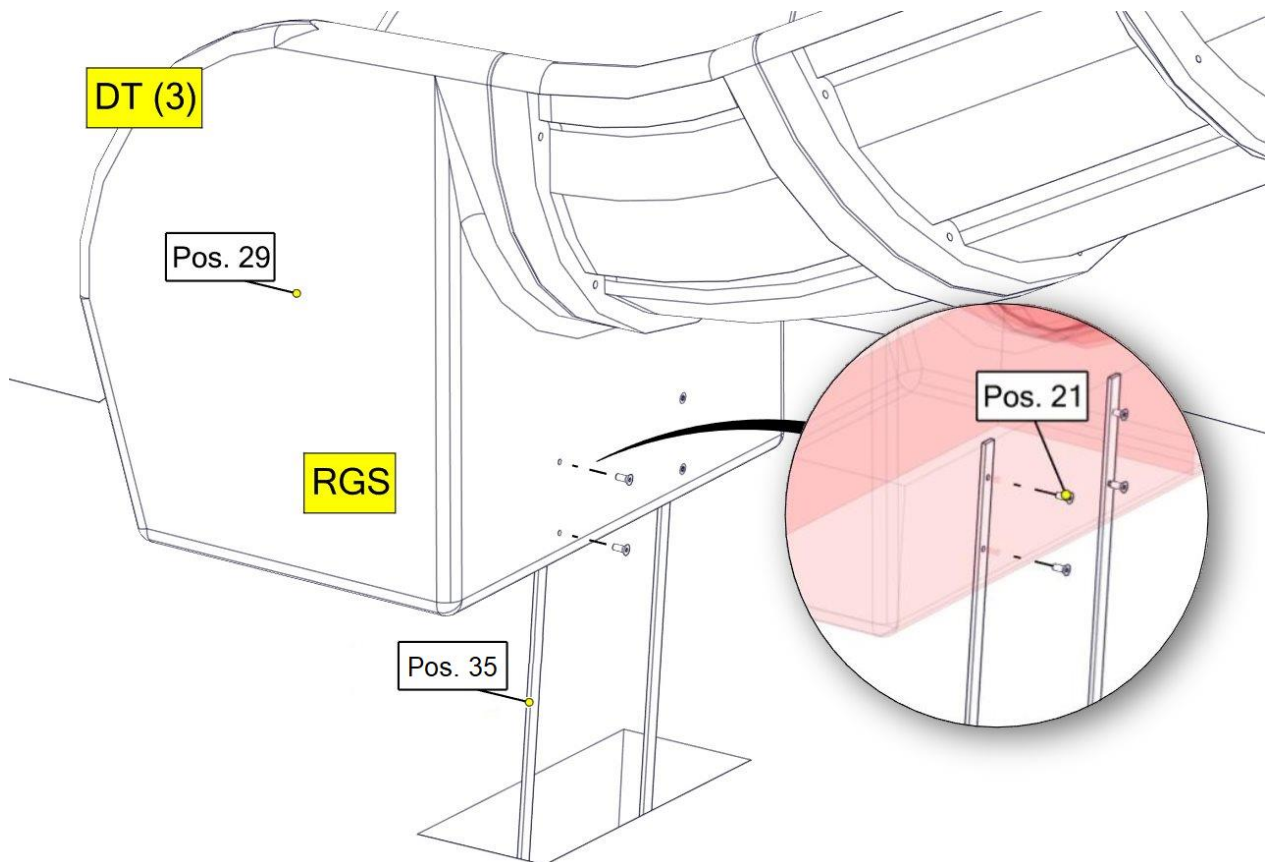
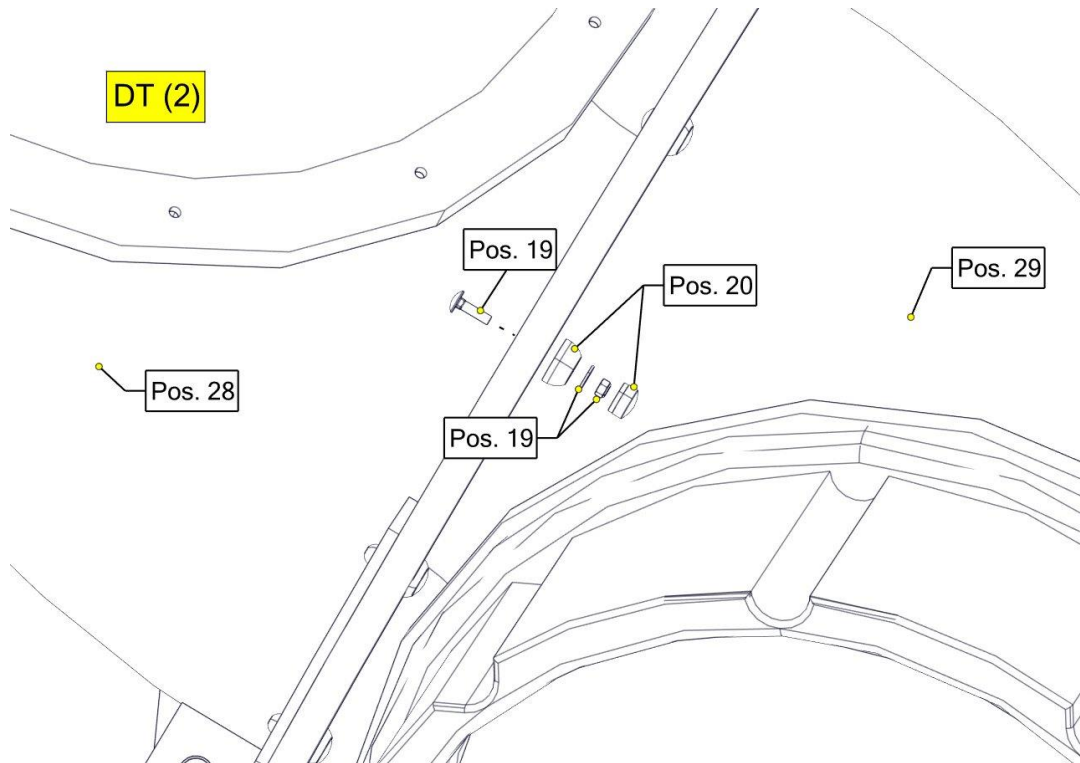
## 4 Assembly instructions

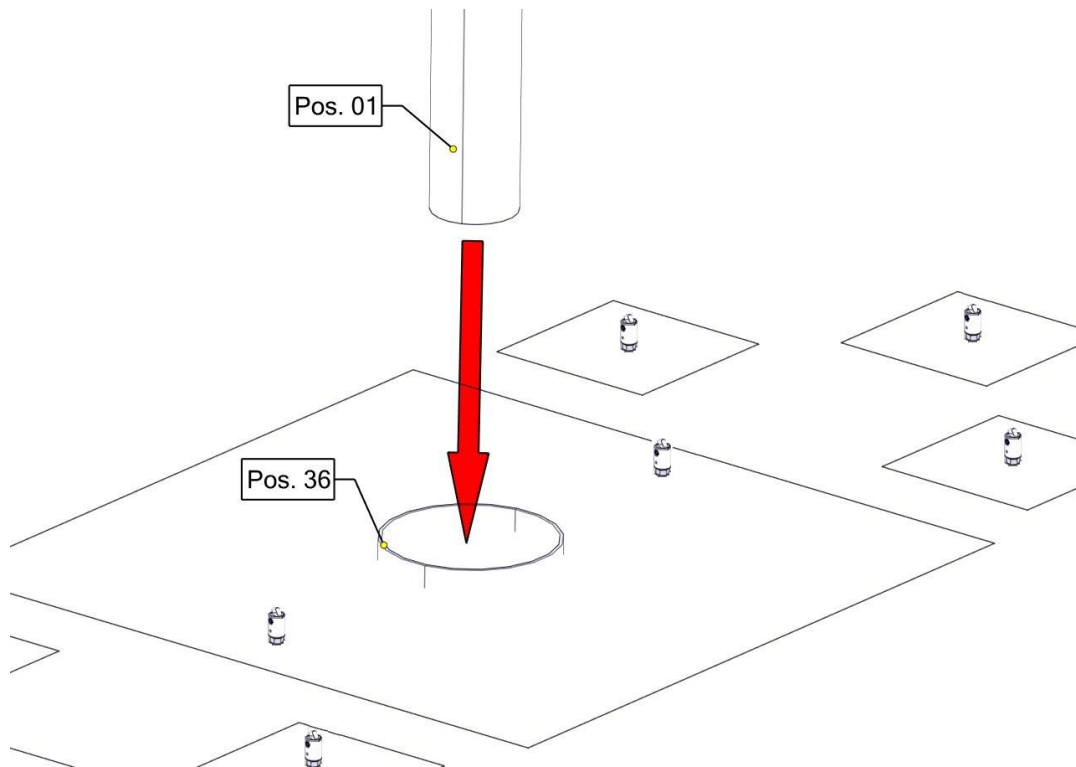
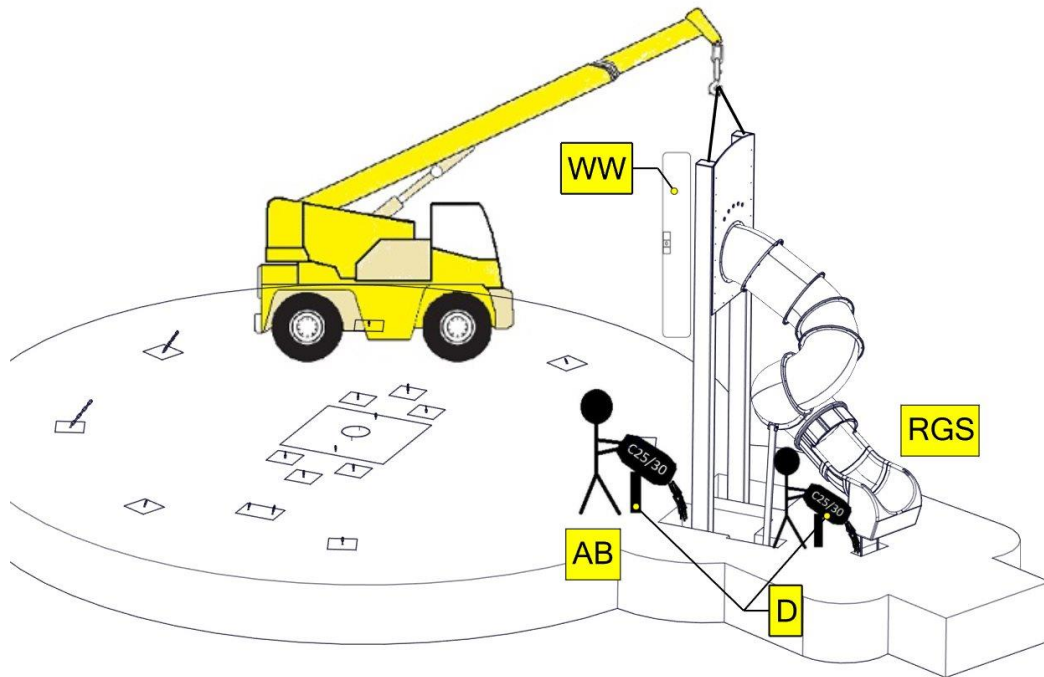


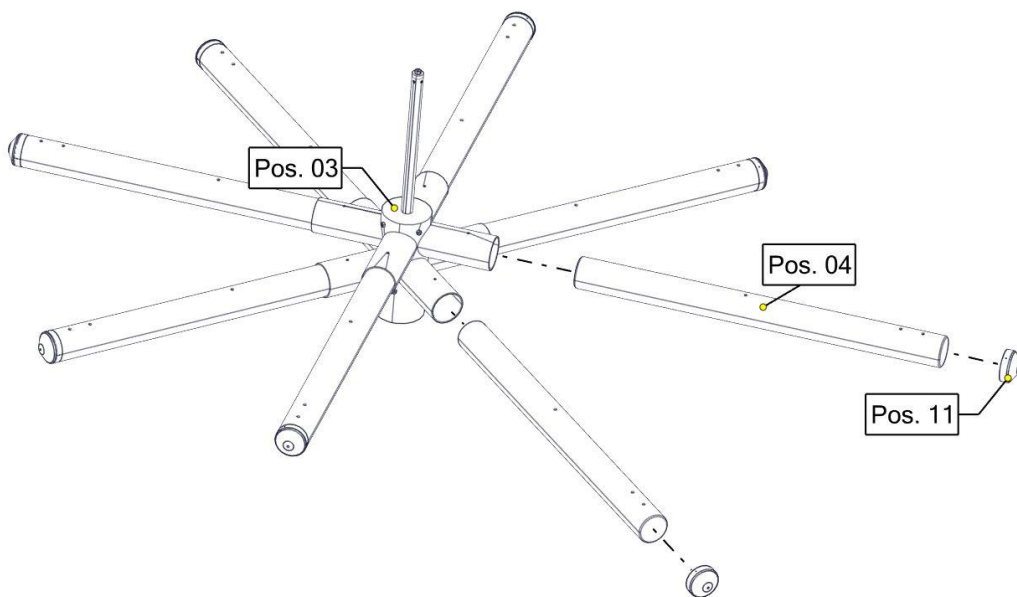
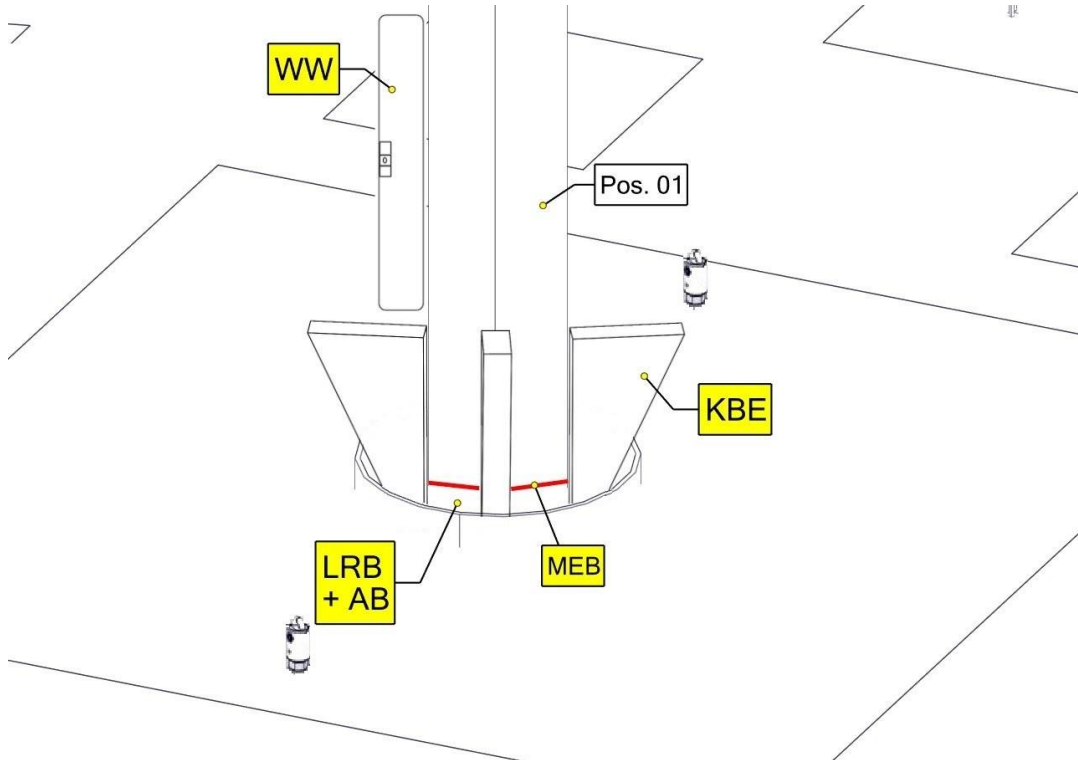


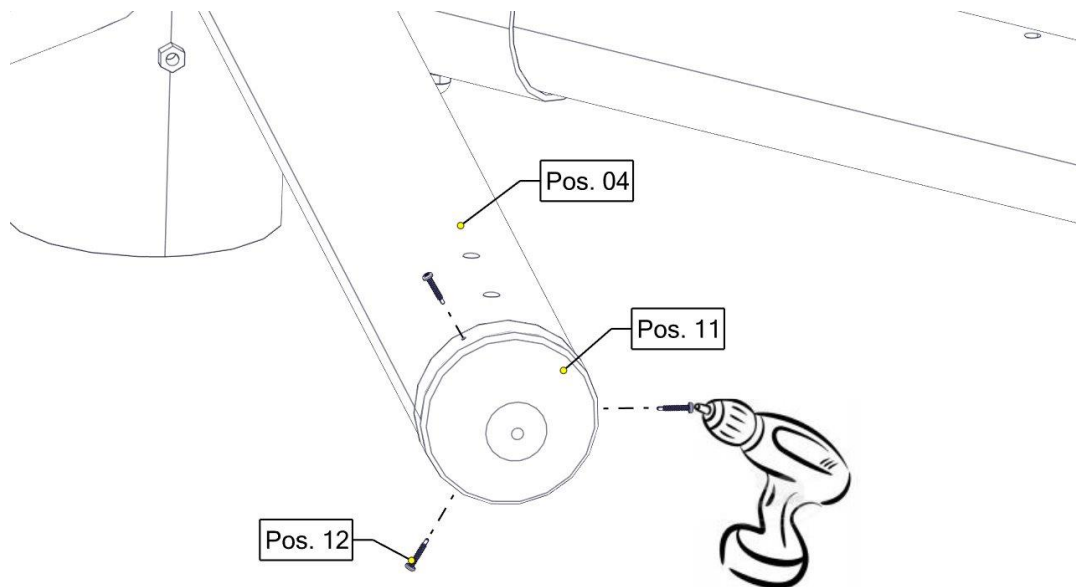
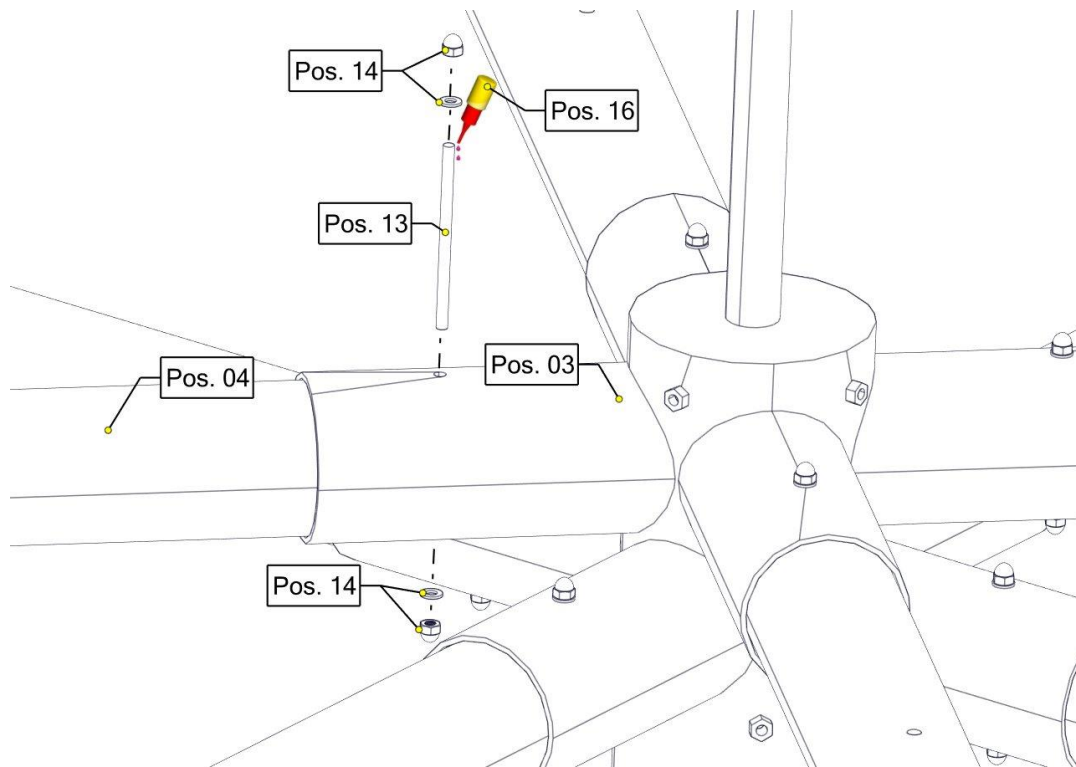




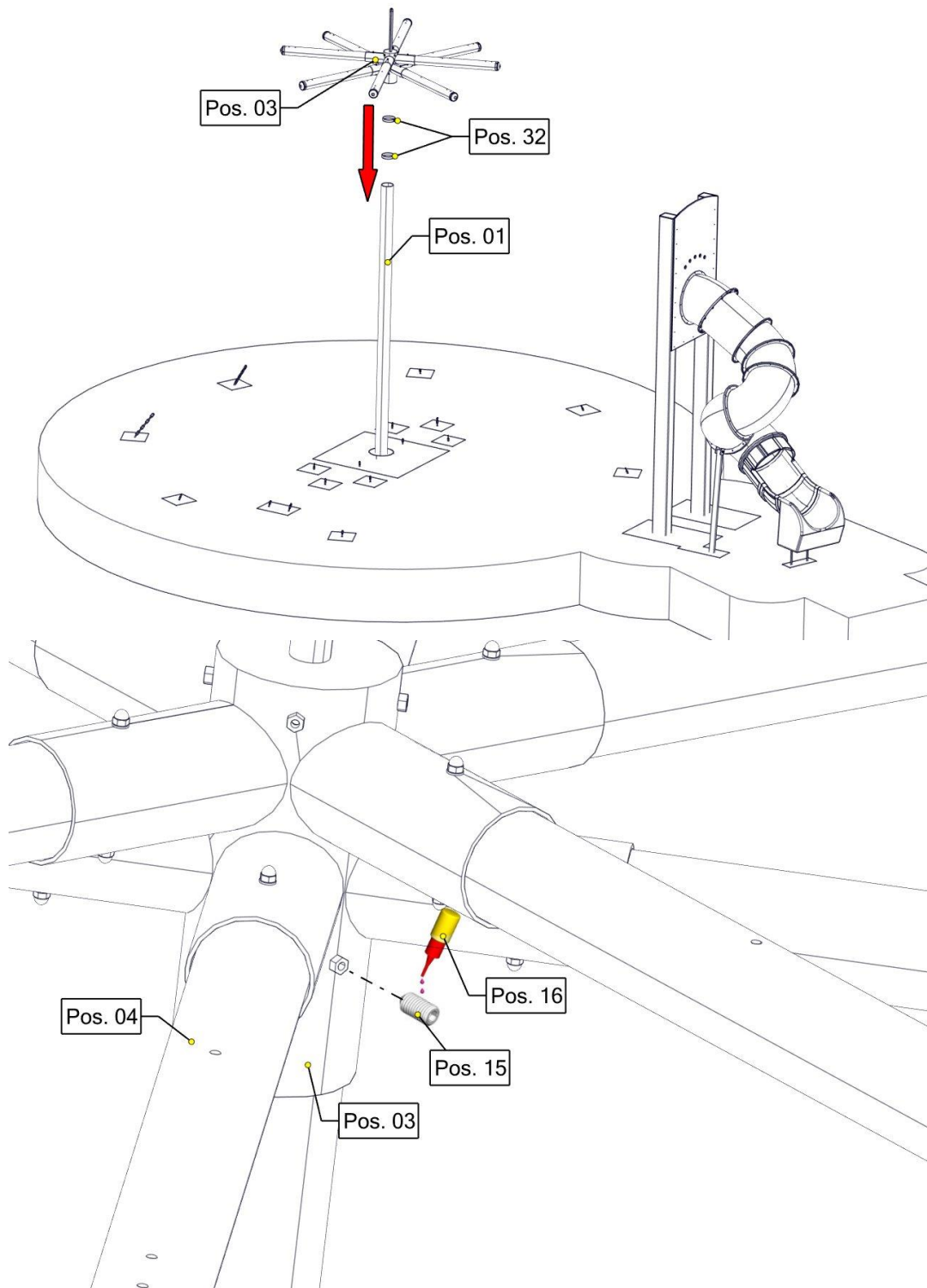


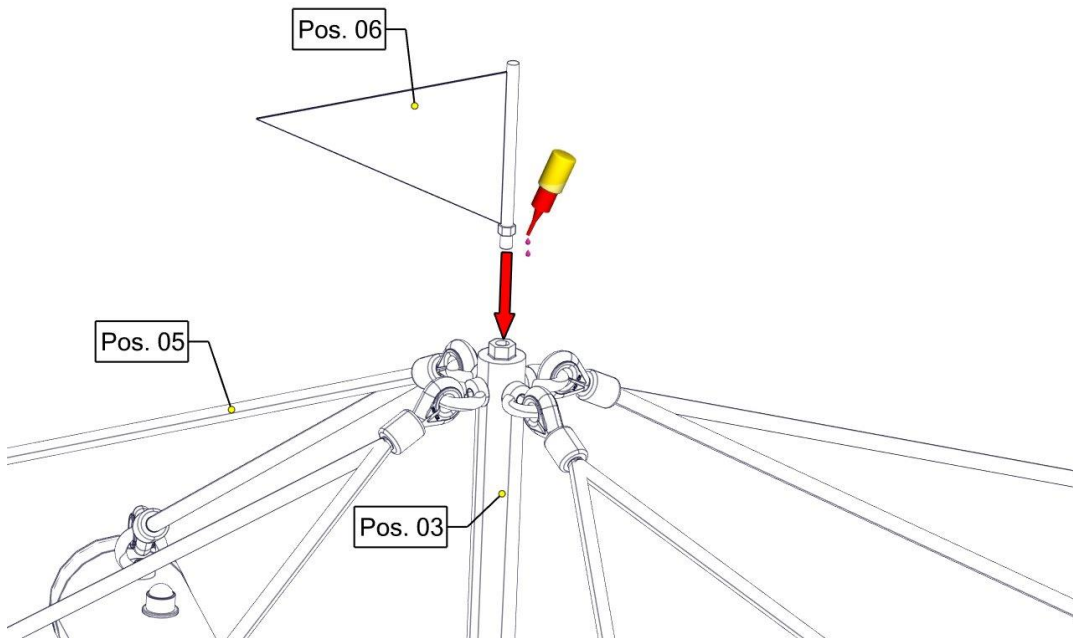
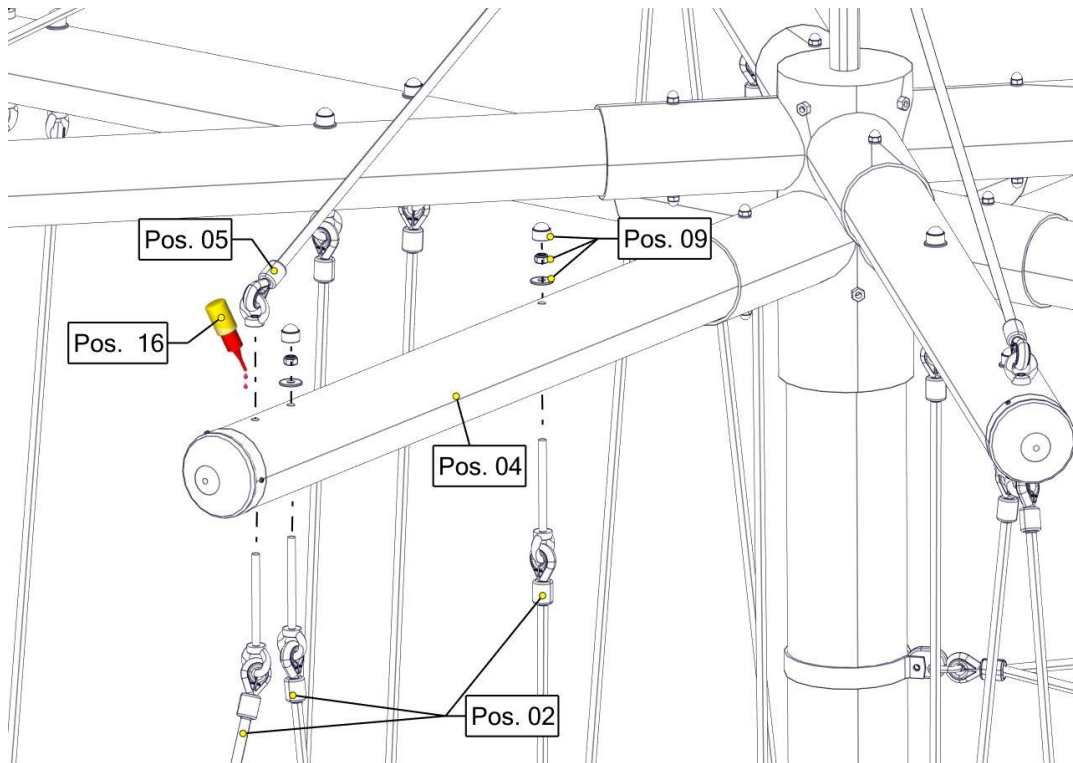


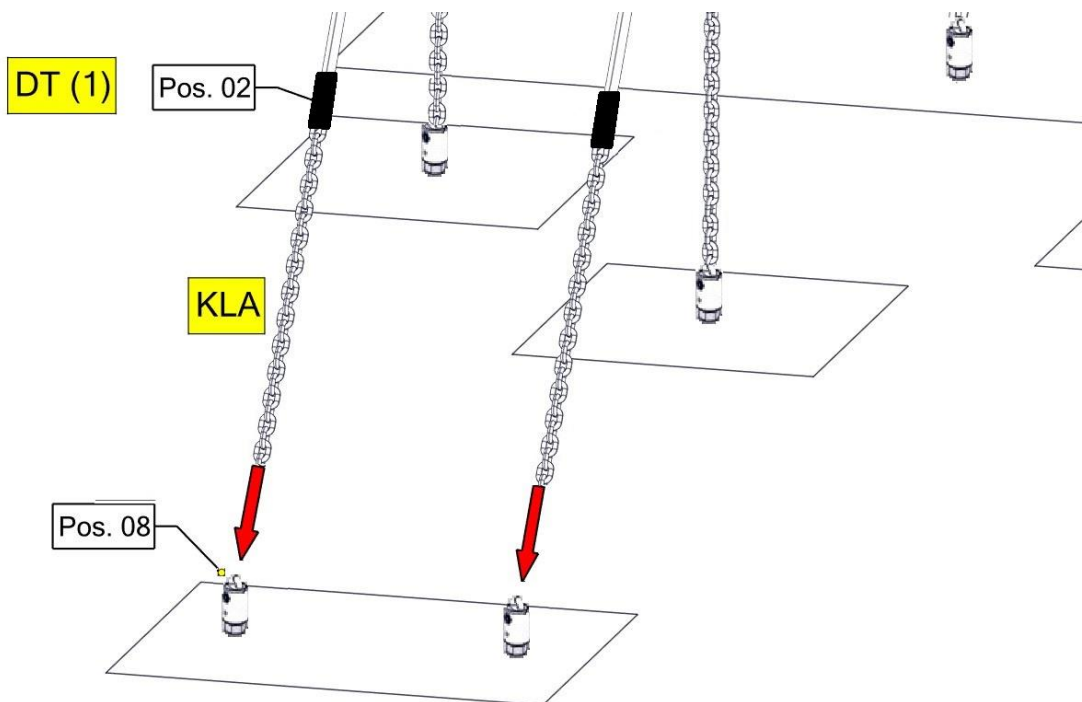
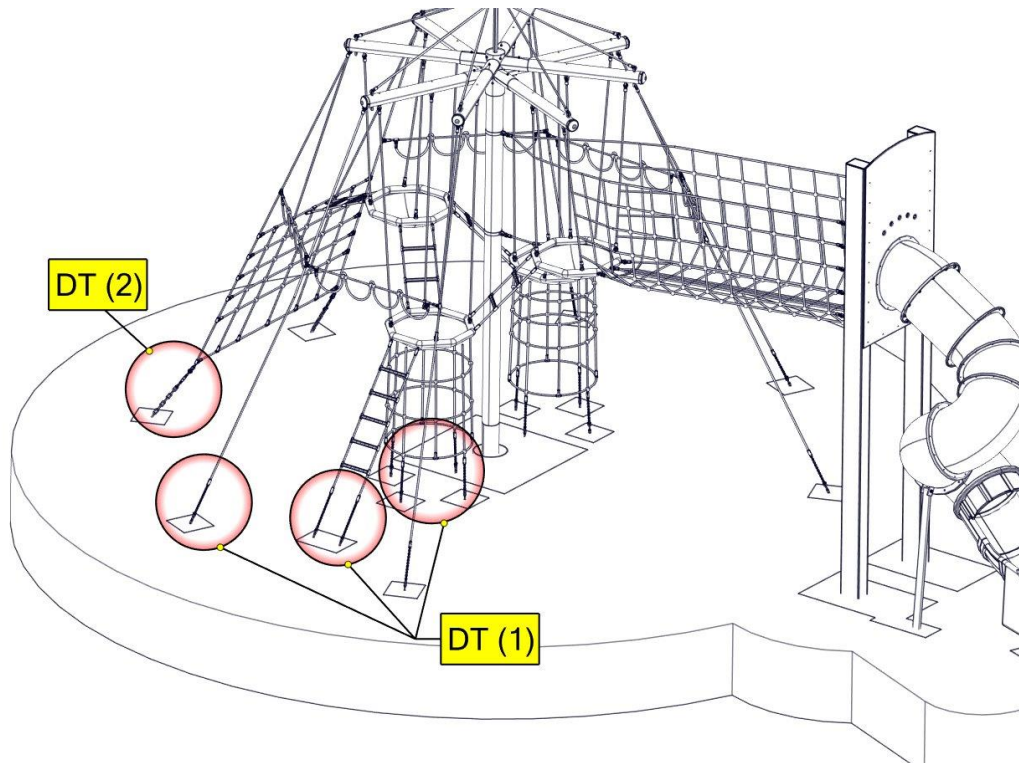


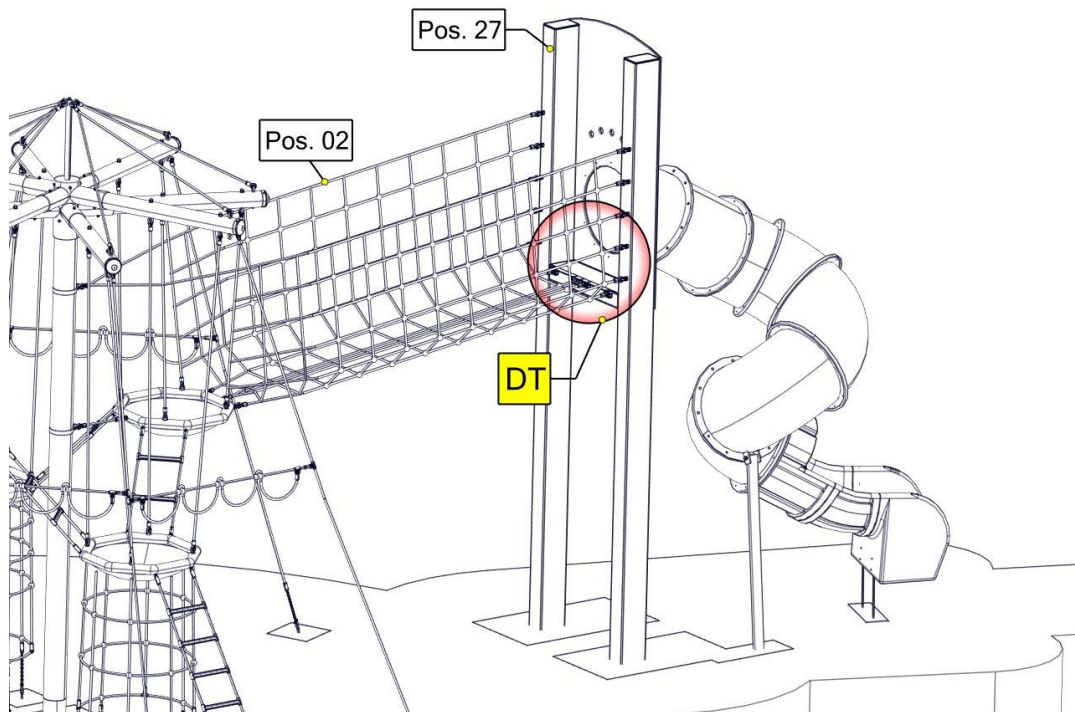
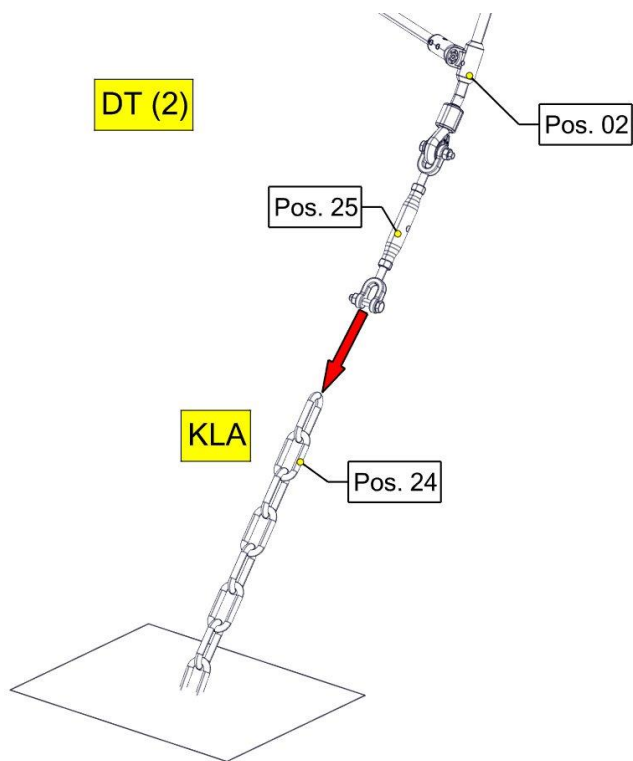


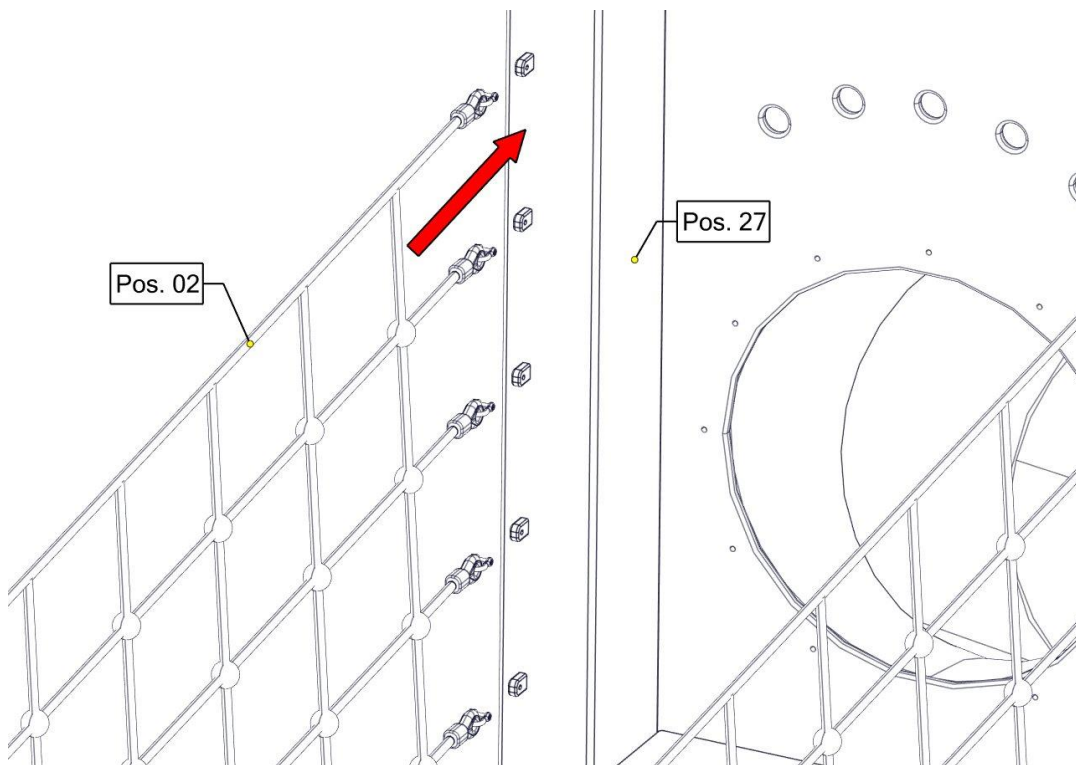
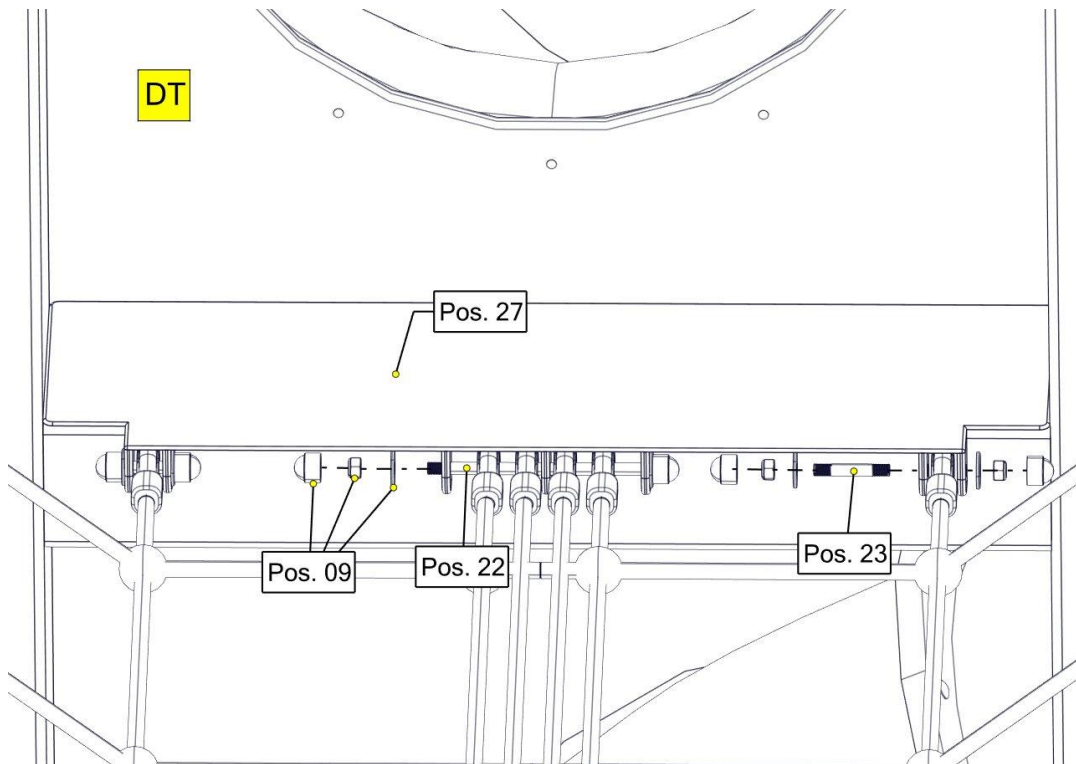


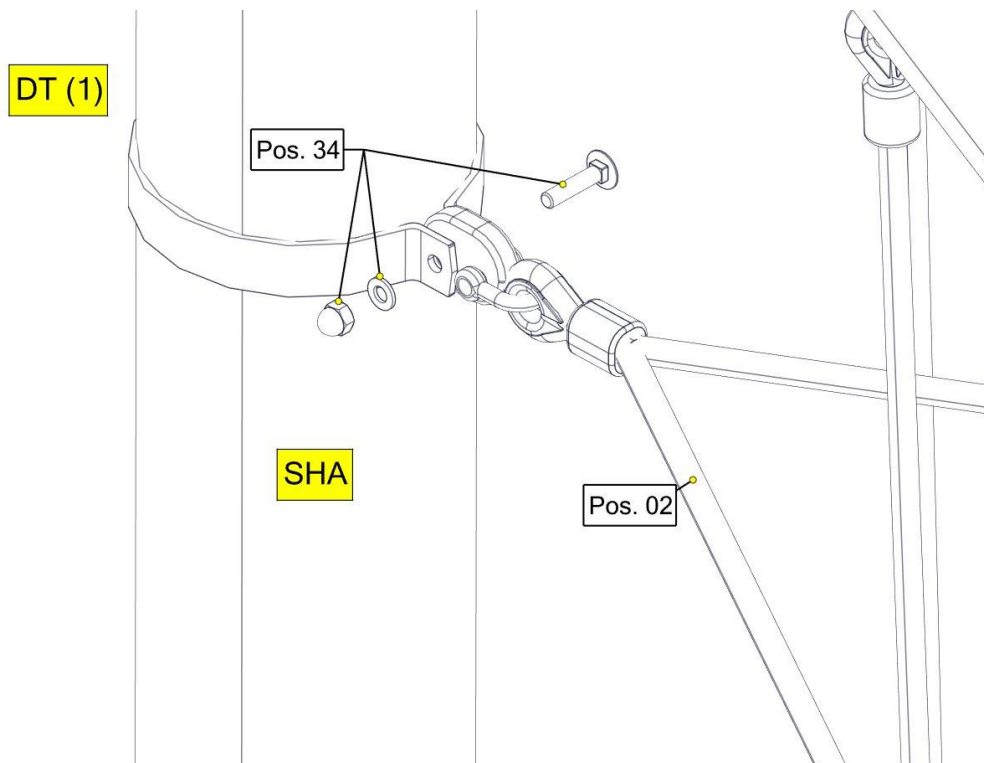
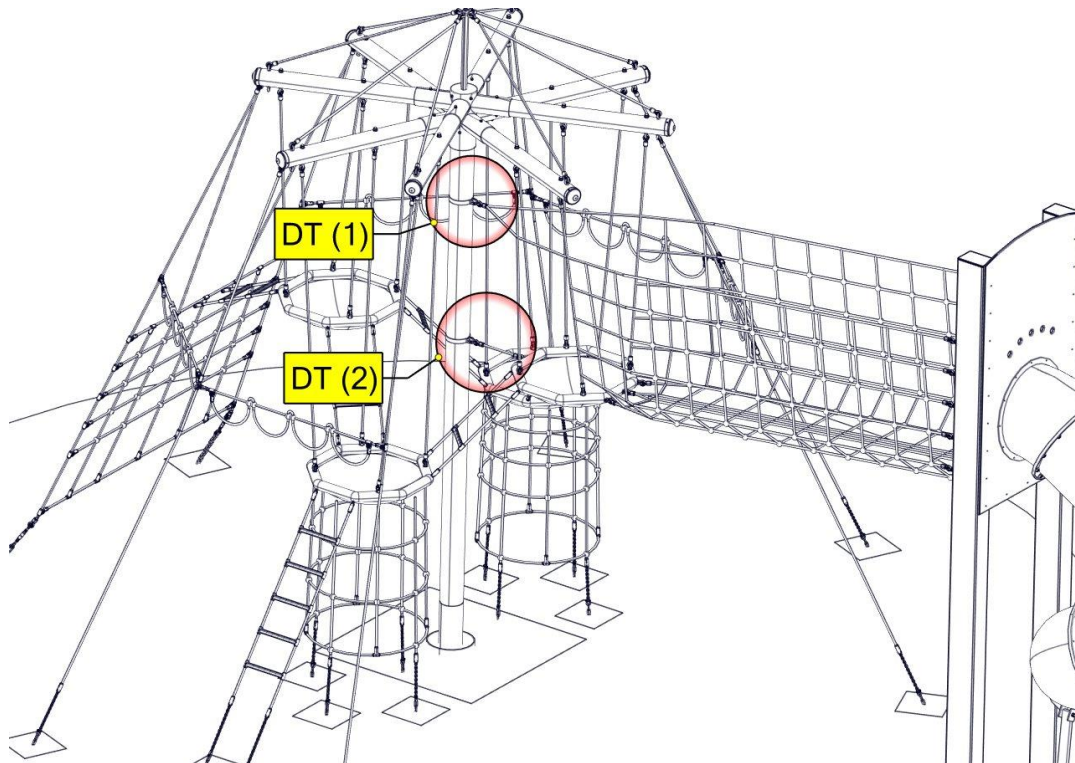


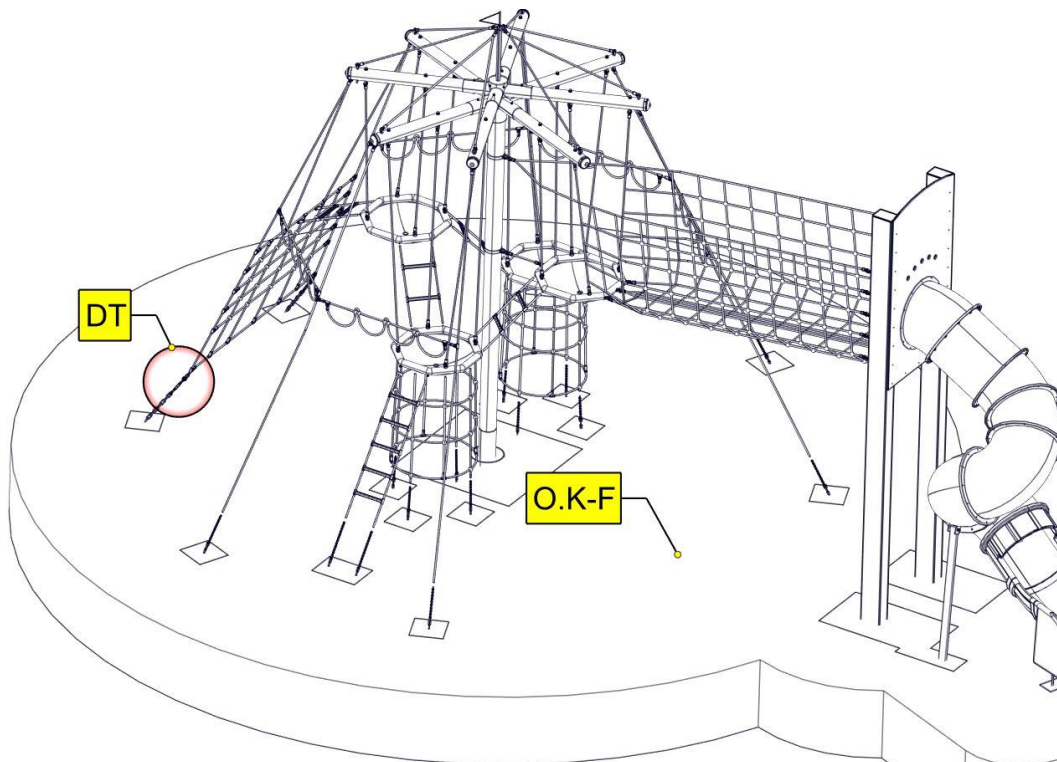
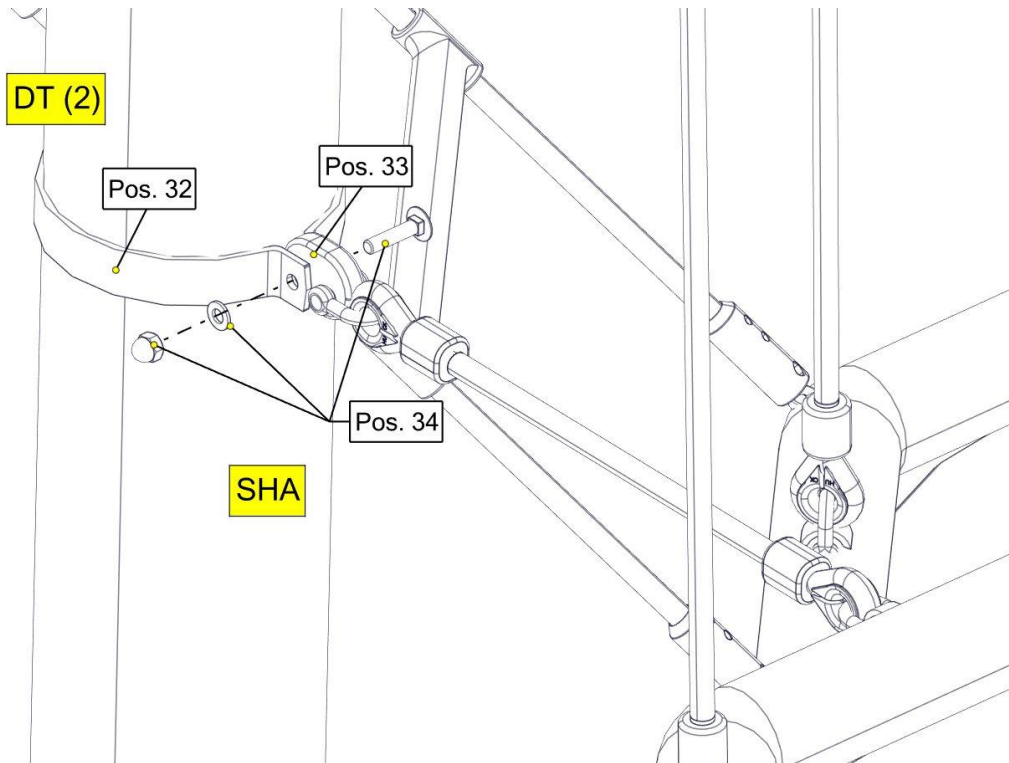


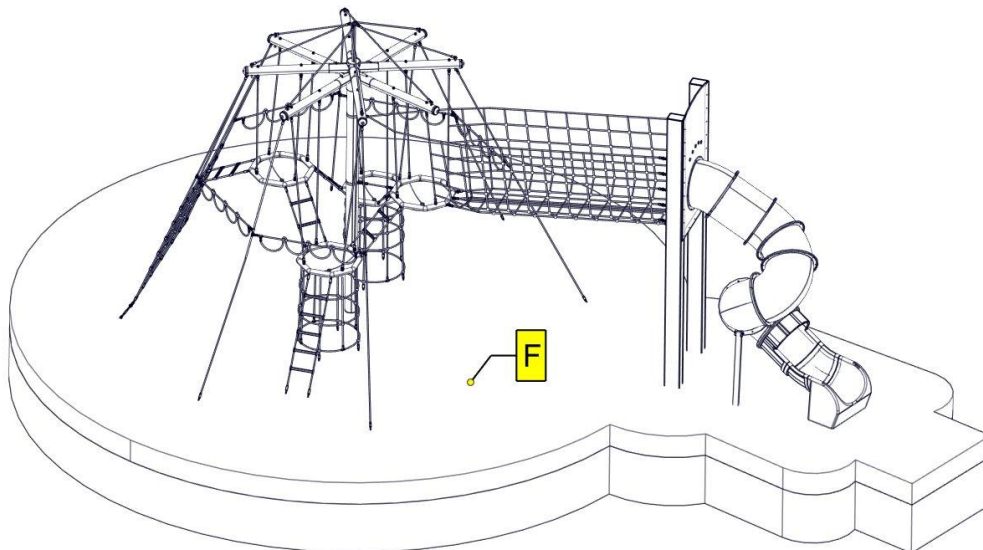
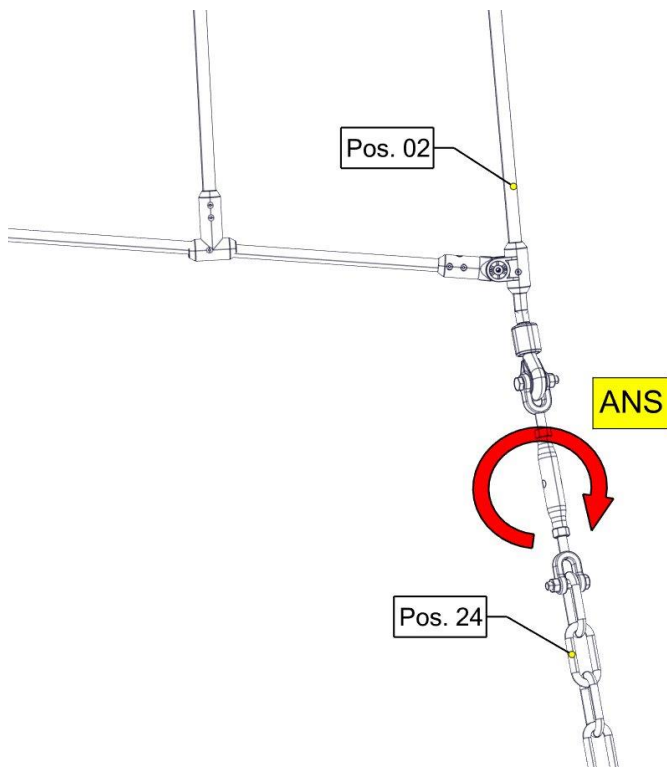














---

## 5 Post installation checks

---



### Notice

If the equipment has not been installed safely, you must ensure that the public is prevented from using it.

---

### 5.1 Marking filler depth

Labelling the posts to show the depth of material provided as fall protection (i.e. loose filler).

### 5.2 The equipment has not been installed safely in the following cases:

- Safe equipment installation is not complete.
- The protective surface has not been installed yet.
- Appropriate maintenance work cannot guarantee operational safety.

### 5.3 Removal of all assembly aids

Please make sure that all assembly aids have been removed from the playing area. The equipment must not be approved for use until this check has been made.

### 5.4 Information about inspection of the equipment before it is used for the first time

There are no special inspection requirements to be met before the equipment is used for the first time.

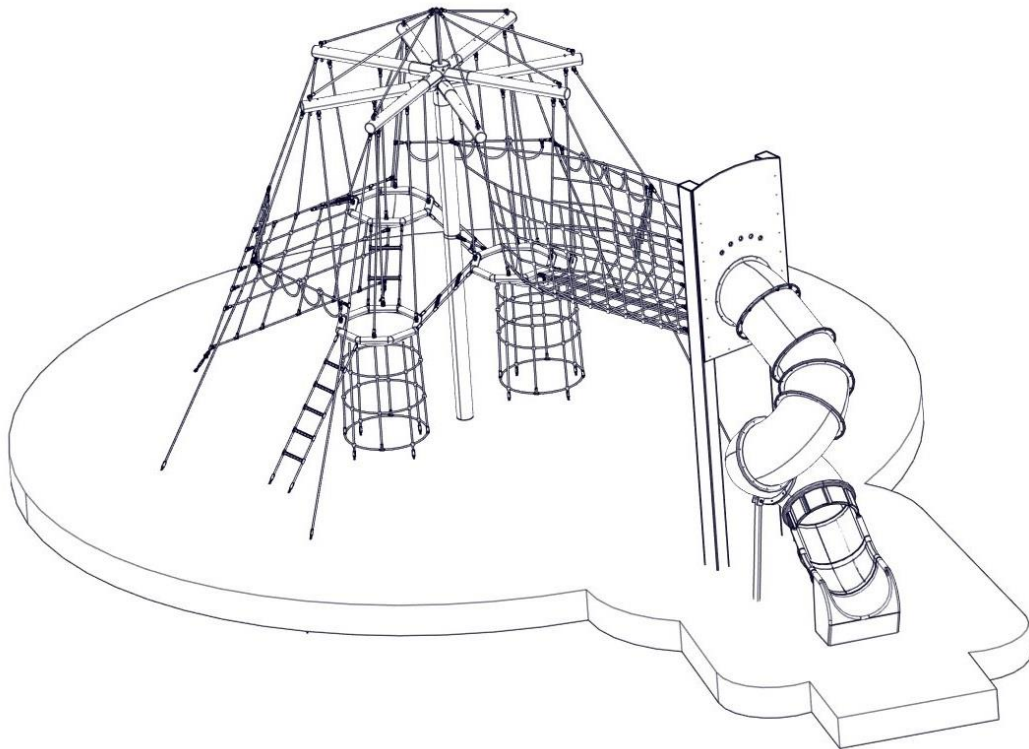
### 5.5 Retighten bolts

After one week of play, please retighten all bolts again. Later upon respective maintenance.

.



**B Maintenance instructions**  
**Bird's nest tree with bridge and spiral slide**  
**Art.-No. 4652-3**



**Revisionshistorie**

Erste freigegebene Version

Wartungsanleitung

Revision 4 – 2023-10-04

Mindestraum 300 mm kleiner FH

Alle Rechte vorbehalten

© Copyright 2015 Huck Seiltechnik GmbH

---

## 6 Introduction Maintenance

### 6.1 General informations

This equipment should be installed, inspected, maintained and operated in accordance with EN 1176-7 guidelines.



#### Notice

**Please note:** Providing any necessary repairs are carried out, a piece of play equipment that is inspected regularly cannot become so damaged that it is dangerous.

---

Any spare parts which may be required can be obtained directly from your supplier or from Fa. Huck Seiltechnik GmbH

Adress: Huck Seiltechnik GmbH  
Dillerberg 3  
D-35614 Asslar/Berghausen  
Tel. +49 6443 83 11-0  
Fax +49 6443 83 11-79



This equipment should only be assembled, maintained and repaired by **persons with the necessary expertise.**

**A copy of the inspection record should be given to the operator, who must confirm receipt.**

---

**This maintenance instruction is based on the standard  
“EN 1176-1:2017”.**

## **7 General maintenance information**

### **7.1 Maintenance intervals**

Maintenance intervals are based on average use. Please note that more frequent inspections and/or maintenance are required if the play equipment is subject to intensive use.

### **7.2 Inspection frequency**

The frequency of inspections must be based on actual use. Factors that affect frequency include vandalism, location (e.g. coastal proximity), air pollution and the age of the equipment.

### **7.3 Maintenance products and procedures**

All nuts and bolts are hot-dip galvanised or stainless steel. One of the characteristics of stainless steel is that uncontrolled cold welding may occur when the nuts are tightened. To prevent this, it is necessary to spray the nuts and bolts with Teflon spray or another similar lubricant.

### **7.4 Spare parts**

All spare parts must conform to the manufacturer's specifications.

### **7.5 Identifying spare parts**

All spare parts are listed in the parts list. The parts list follows the installation requirements.

### **7.6 Special instructions for the disposal of individual equipment components**

No special instructions are necessary for the disposal of individual equipment components.

### **7.7 Special measures during the break-in period**

No later than 2 weeks after assembly, all screwed connections should be checked and tightened if necessary.

### **7.8 Maintenance of protective surfaces**

Surfaces providing fall protection must also be maintained regularly. It is particularly important to maintain the correct level of loose surface material and add more if necessary.

---

## 7.9 Faults

---



Faults must be repaired as soon as they are detected. If serious defects that compromise safety cannot be repaired straight away, the public must be prevented from using the equipment with immediate effect.

---

## 7.10 Loose screws

---



Loose screws always cause quality problems and put safety at risk. Therefore, loose screws should always be tightened and checks carried out to ensure that there are no missing screws (e.g. look out for holes you can see through).

---

## 7.11 Preventing equipment use

Use of the equipment should be prevented in the event of incomplete installation, disassembly, maintenance, repairs and faults.

## 7.12 Claims/liability for faults

Steel posts and footings are guaranteed if regular maintenance is carried out and recorded in writing. Our general terms and conditions apply. Maintenance first takes place after 3 years. The steel posts must be excavated as far as the concrete foundations and checked for corrosion.

Zinc paint should be applied to any corroded areas and scratches. Check ropes for abrasion. Retreat any that are very worn.

## **8 Maintenance timetable**

### **8.1 Special advices**

#### **8.1.1 Maintenance interval**

We strongly advise you to carry out inspections and maintenance work within the specified periods as use of the equipment, the weather and malicious vandalism cause wear and tear that compromises the safety and function of the equipment.

#### **8.1.2 Maintenance intervals in the event of intensive use**

Please note that more frequent inspections and/or maintenance are required if the play equipment is subject to intensive use.

#### **8.1.3 Faults that compromise safety**

---



**Notice**

In the event of a fault that compromises safety, quick action must be taken. This may involve repairing it immediately or shutting down and dismantling the equipment.

---

#### **8.1.4 Faults that compromise function**

---



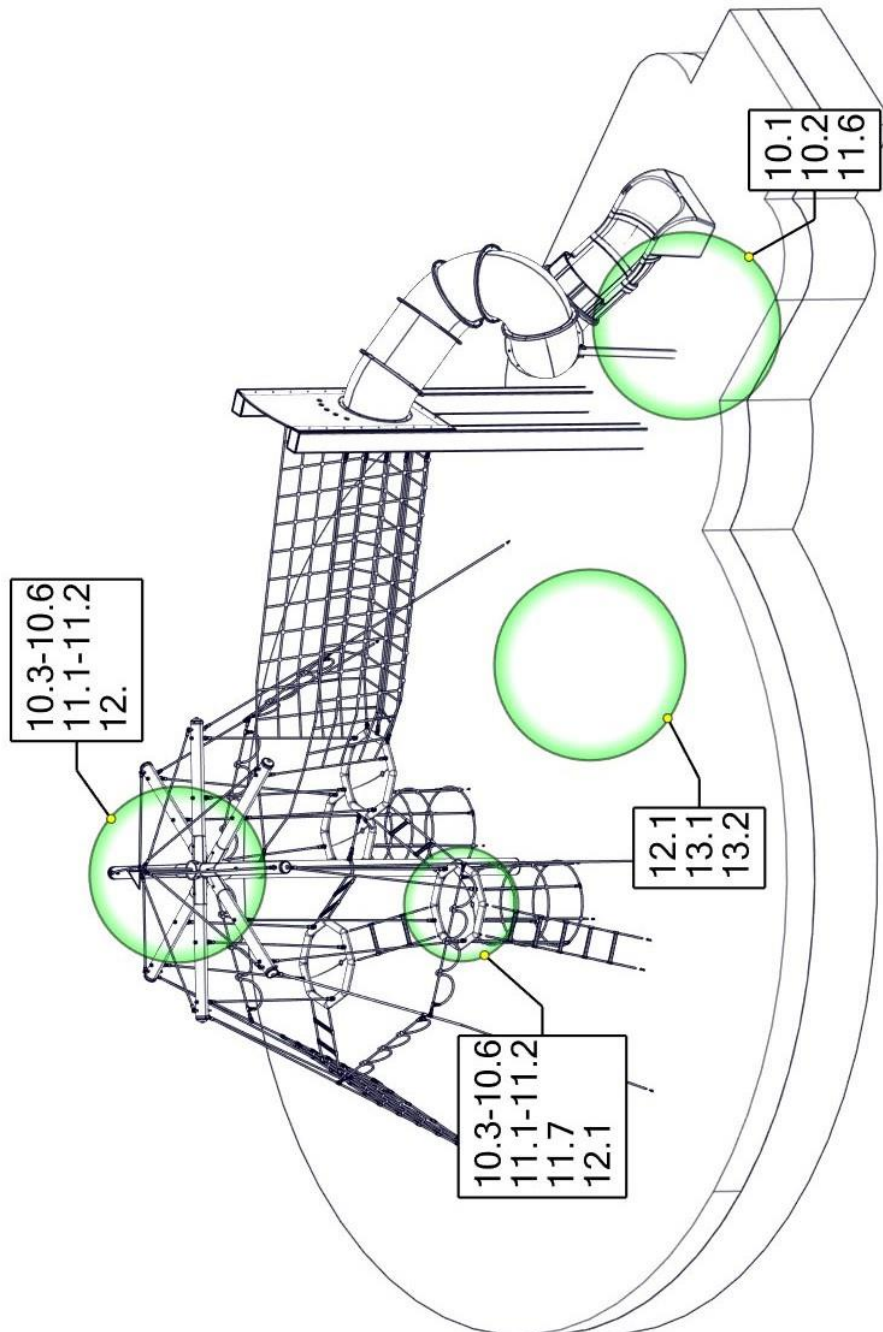
**Notice**

Faults that compromise function should also be repaired immediately. Such faults lower the value of the equipment to the user and encourage malicious vandalism, which may render the equipment less safe. Any damage should also be repaired immediately.

---



## 9 Regular maintenance



## **Regular maintenance**

### **10 Monthly maintenance**

- 10.1 Check the spaces between the equipment and the ground (clearance and height of fall).**
- 10.2 Check the ground surface in the area with fall protection for hard objects and loose foundations.**
- 10.3 Check all connecting elements and fittings for wear and tear and tighten if necessary. Replace damaged or missing parts.**
- 10.4 Check that moving metal parts (joints, springs, etc.) move smoothly and are not worn. Replace if necessary. It is not necessary to lubricate joints as we only use maintenance-free metal roller bearings.**
- 10.5 Check all attachments such as chains, ropes, nets, etc. for damage and replace if necessary.**
- 10.6 Check rubber parts, sleeves, etc. for wear and tear or damage and replace if necessary.**
- 10.7 If necessary, remove excess padding material from the post footings due to danger of rotting.**
- 10.8 Check the surface of wooden parts for damage caused by the weather or external influences and mould. Repair or replace if necessary.**
- 10.9 Check the surface of plastic and metal parts, e.g. slides, for damage and replace if necessary.**

### **11 Quarterly maintenance**

- 11.1 Detailed inspection of the operation and stability of the equipment paying particular attention to any wear and tear.**
- 11.2 Tighten all forms of attachment.**
- 11.3 Repaint and retreat surfaces.**
- 11.4 Maintenance of fall protection surfaces.**
- 11.5 Lubrication of joints.**
- 11.6 Check the height of the fall and top up with loose filler if necessary. If the posts are labelled, top up as far as the mark.**
- 11.7 Retighten all bolts**


## 12 Half yearly maintenance

- 12.1 **Stability (check posts, bracing, foundations, etc.).** Ascertaining whether there are any changes in equipment safety as a result of repairs that have been carried out or components that have been added or replaced.

	<h1>Annual Maintenance</h1>
---	-----------------------------

## 13 Annual maintenance

- 13.1 **Ascertaining that the equipment, foundations and surfaces are safe for operation.**
- 13.2 **In particular, the equipment should be checked for decay and corrosion. It may be necessary to dig out or excavate certain components in order to do so. Zinc paint should be applied to corroded areas and scratches.**

	<p>The equipment must be inspected by someone <b>with the necessary expertise</b> in strict compliance with the instructions issued by Huck Seiltechnik GmbH.</p> <p><b>A copy of the inspection record should be given to the operator, who must confirm receipt.</b></p>
---	--



## 14 Maintenance printout

Name of item: Bird's nest tree with bridge and spiral slide / Art.-Nr. 4652-3\_\_\_\_\_

Location: \_\_\_\_\_

Customer or operator: \_\_\_\_\_

(Town, Town council, Kindergarten)

Date of inspection	Inspector	O.K.	Accessible	Barriered	Defects	Repaired by	Date

**Please copy and return once a year after main inspection has been carried out to the manufacturer by Telefax +49 6443 83 11-79  
 Place the confirmation form in your existing play equipment files.**



## 15 Hand over document



After the installation of the equipment pass the installation and maintenance documents to the operator. The operator has to receive the hand over documents. The complete filled and signed hand over document should be sent to the supplier Huck Seiltechnik GmbH per Telefax +49 6443 8311-79

Art.-No.: 4652-3

Type of item: Bird's nest tree with bridge and spiral-slide

Serial number: \_\_\_\_\_

**Customer or operator (Town, Town council, Kindergarten, etc.):**

\_\_\_\_\_  
\_\_\_\_\_

Competent person in charge:

\_\_\_\_\_  
\_\_\_\_\_

**Installation company (address):**

\_\_\_\_\_  
\_\_\_\_\_

Responsible assistant (assembler):

\_\_\_\_\_  
\_\_\_\_\_

Received the complete assembly instructions, maintenance instructions and maintenance printout,

(Signature of operator)  
(Stamp)

(Signature of installation company)

Date: \_\_\_\_\_