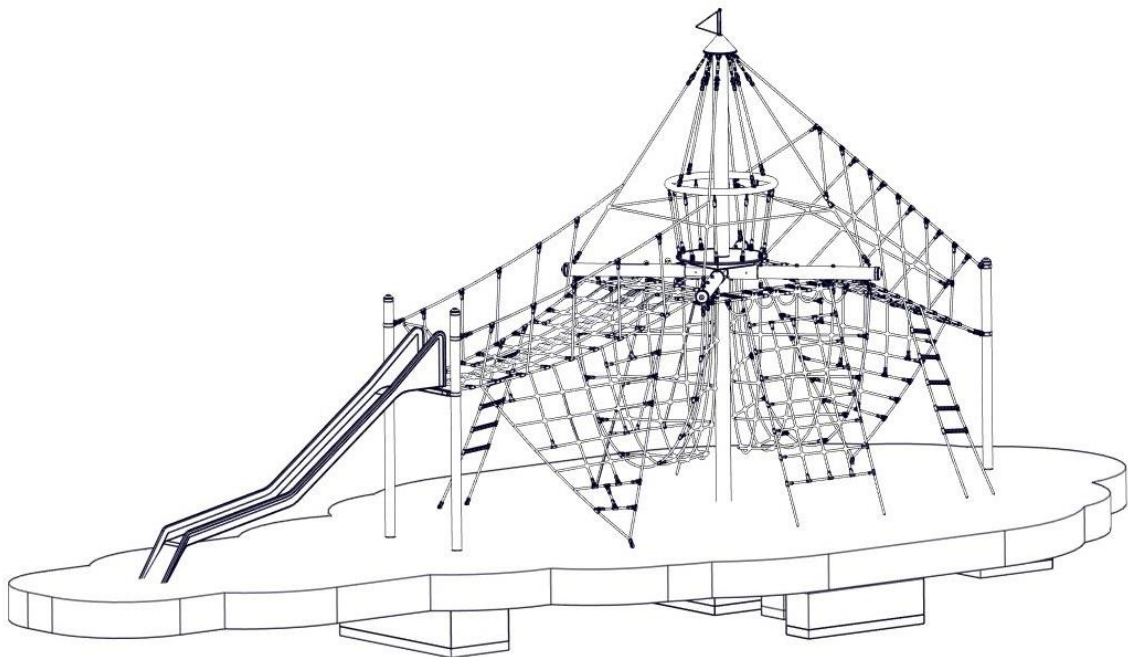


A Assembly Instructions

Black Beard Pirate Ship Art.-No. 4687-25

Attention! Only use the assembly instructions included in the scope of delivery for the assembly, installation and maintenance of the respective equipment!



Operator: _____

Location: _____

Revision history

Revision 0 – 2014-08-18

The first released version

Revision 7 – 2023-08-16

S.26 Bild geändert ZM

All rights reserved

© Copyright 2014 Huck Seiltechnik GmbH

Contents

A	Assembly Instructions Black Beard Pirate Ship Art.-No. 4687-25	1
1	Introduction Assembling	4
2	Datasheet Pirate tower, article 4687-25	5
3	Delivery contents (parts list with part numbers)	7
4	Erection instructions	17
5	Post installation checks	34
B	Maintenance instructions Black Beard Pirate Ship Art.-No. 4687-25	35
6	Introduction Maintenance.....	37
7	General maintenance information	38
8	Maintenance timetable.....	40
9	Regular maintenance	41
10	Monthly maintenance	42
11	Quarterly maintenance	42
12	Half yearly maintenance	43
13	Annual maintenance.....	44
14	Maintenance printout.....	45
15	Hand over document	47

List of Tables

Tabelle 3-1: Delivery contents (parts list with part numbers)	7
Tabelle 3-2: Delivery contents (parts list with part numbers)	9

1 Introduction Assembling

1.1 General information

This equipment should be installed, inspected, maintained and operated in accordance with EN1176-7 guidelines.

Before installation work commences, please check that you have all of the equipment and fixation components in the parts list provided (see Tables 3-1 and 3-2).

Please consider that the installation has to be carried out only on even terrain (max.slope up to 3%).

Any spare parts that may be required can be obtained directly from your supplier.

Please do not hesitate to call your supplier if you have any problems during installation or with any other questions



Following installation, complete assembly instructions, maintenance instructions and a maintenance record must be sent to the operator who must confirm receipt in writing. See the last page of this document.



All nuts and bolts are hot-dip galvanised or stainless steel.
One of the characteristics of stainless steel is that uncontrolled cold welding may occur when the nuts are tightened. To prevent this, it is necessary to spray the nuts and bolts with Teflon spray or another similar lubricant.

We hereby confirm that this play equipment has been tested and certified in accordance with the play equipment standard EN 1176.

2 Datasheet Pirate tower, article 4687-25

1. Space requirement: 11.65 m x 3.95 m
 Safety zone: 15.15 m x 7.00 m
 Equipment high: 5,20 m
 height of fall: 2.66 m
 Fallprotection area: 71.3 m²

2. Required safety surface:

Surface material	Description mm	Minimum thickness of layer mm	Maximum height of fall mm
Topsoil grass			≤ 1000
Chipped bark	20 – 80 grain size	300 400	≤ 2000 ≤ 3000
Wood chippings	5 – 30 grain size	300 400	≤ 2000 ≤ 3000
Sand	0,2 – 2 grain size	300 400	≤ 2000 ≤ 3000
Gravel ^c	2 – 8 grain size	300 400	≤ 2000 ≤ 3000
Other ground materials	As recommended by manufacturer wie nach HIC geprüft (siehe EN 1177)		Critical fall height as checked

^a Appropriate ground material, prepared for use at playgrounds
 In case of loose fill material, 100mm have to be added onto the minimum layer thickness to compensate the falling away effect (see 4.2.8.5.1).
^b Without silty or clayey proportions. Grain size can be determined by a sieve test according to EN 933-1.
^c See note 1 in 4.2.8.5.2

Name and overall dimension of the largest component:

Steel post with 4 connecting sleeves (1 item), length 6.00 m, ø 159 mm

Name and weight of the heaviest component:

1 steel post (1 peace) approx. 160 kg

Intended age group: 6 years and over

Please note that this equipment is set in concrete.

Concrete: C25/30

Required concrete: ca.3,90 m³

Foundations/area to be excavated:

Top edge of concrete 30 cm below ground level **bzw.40 cm unter Oberkante Spielebene)**

1 x 1,00 m long x 1,00 m wide x 0,60 m high, total depth: 1,10 m including 10 cm drainage.

1 x 1,00 m long x 1,00 m wide x 0,60 m high, total depth: 1,10 m including 10 cm drainage.

1 x 1,50 m long x 0,40 m wide x 0,50 m high, total depth: 1,10 m including 10 cm drainage.

1 x 1,60 m long x 0,40 m wide x 0,50 m high, total depth: 1,10 m including 10 cm drainage.

1 x 2,00 m long x 0,80 m wide x 0,60 m high, total depth: 1,10 m including 10 cm drainage.

1 x 1,20 m long x 1,20 m wide x 0,60 m high, total depth: 1,10 m including 10 cm drainage.

1 x 0,40 m long x 0,40 m wide x 0,50 m high, total depth: 1,10 m including 10 cm drainage.

1 x 0,60 m long x 0,40 m wide x 0,15 m high, total depth: 0,50 m including 10 cm drainage.



Attention!

Round off foundation edges (min.R = 100 mm)! Sizes of foundations are designed for soils class "4-5" (natural ground).

Soil class 4: soft to medium plasticity, interleave bound, with minor portion of stone (portion < 30% with bigger diameter of 63 mm grain size)

Soil class 5 : ground with soil class 3 and 4 with big portion of stones

(portion > 30% with bigger diameter of 63 mm grain size)

In case of sandy and soft soils, the surface measure of foundations have to be enlarged for about 50%! (Top edge of concrete 40 cm below play level).

Assembly time, once foundations complete: approx. 7-8 hours **Required assistance:** 7-8 people

Benötigte Hilfsmittel: Radbagger ca. 4 m Hubhöhe oder ähnliches Hubgerät, Leiter ca. 4 m lang,

Wasserwaage, diverse Schraubenschlüssel, Nivelliergerät oder Schlauchwaage

Any spare parts which may be required can be obtained directly from your supplier

We hereby confirm that this item of play equipment has been tested and certified in accordance with the play equipment standard EN 1176.

Drawings / Views

All optical drawings are showing only the measurements/dimensions and are no mandatory technical views of the complete item.

We reserve the right to change technical details of our articles which are serving for the further development of our articles and are reasonable for the customer.

Measurement tolerances

Because of the properties and characteristics of the components, minor measurement tolerances compared to the indication on the sketches are possible.

This concerns all shown measurements except the foundation measurements resp. measurements below upper edge ground level/play area.

3 Delivery contents (parts list with part numbers)

3.1. In words

Tabelle 3-1: Delivery contents, in words

Pos.	Quantity	Element / Description	Size	O.K	Missing
1	1	Steel post with 4 connecting sleeves and L-shaped support	Ø 159 mm, 6,00 m long		
2	4	Laminated beams or Steel arms	Ø 140 mm (Ø 139,7), 1,65 m long		
3	1	Upper play element (preassembled)			
4	1	Lower play nets (preassembled)			
5	1	Tensioning ropes with circular connecting rope (preassembled)			
6	1	Cover plate, galvanised (Dino)	Ø 360 mm x 12 thick		
7	2	Steel post	Ø 102 mm, 3,50 m lg.		
8	1	Steel post	Ø 102 mm, 3,50 m lg.		
9	1	Cross bar (1,09 m long)	Ø 102 mm		
10	1	Slide	GRP		
100	4	Threaded bolt with 2 cap nuts and 2 washers	M10 x 175 mm		
101	8	Carriage bolts	M8 x 40 galvanised		
102	8	Washers	Ø 8,4 galvanised DIN 125		
103	8	Cap nuts	M8 galvanised		
104	4	Hexagon bolts	M12 x 30 galvanised		
105	13	Toothed washer	f. M12		
106	9	Bolts	M12 x 25		
108	4	VA-bearing adapter with PA jack	M12 VA		
111	12	Nyloc nuts + washer (For steel arms)	M12 galvanised		
112	12	Blue/Yellow caps	For M12		
114	2	Hexagon nuts	M16 galvanised.		
115	1	Threaded rod	M16 x 460 galvanised		
116	1	Post cover, red	Ø 375 mm x 140 high		
117	1	Washer	Ø 17 mm galvanised DIN 9021		
118	1	Flag, blue	260 mm high		
119	1	Stop nut	M16 VA DIN 985		
120	1	Black cap	For M16		

Tabelle 3-1: Delivery contents, in words

Pos.	Quantity	Element / Description	Size	O.K	Missing
121	5	chain (to concrete)	Ø 7 mm - 960 mm lg		
122	4	Caps, Ø 140 mm, red			
123	12	Oval head screws	5 x 30 VA		
124	2	Loctite	3 ml		
125	2	Threaded rods	M12 x 250 long, galvanised		
126	4	Hexagon nuts	M12 DIN 934 galvanised		
130	100	Torx screws	4 x 25 mm		
131	3	Post caps			
132	11	Post clamps	Ø 102		
133	11	Chain adapters (stainless steel)	M12		
133 a	6	Fix anchor	M12		
134	6	Flat head screw, sleeve nut	M6 x 25 mm		
135	9	Self tapping screw	5,5 x 25 mm		
136	3	Post clamps for foundation	M10 x 150 mm		
137	2	Bolt, washer, Nyloc nut	M12 x 80 mm		
139	1	Anker plate	500 x 500 mm		
140	6	Bolt	M12 x 60 mm		
200	1	Drainpipe (to be provided by customer)	approx. Ø 300 x 700 long		
	1	Paintbrush	Customer request		
	2	Tins of paint	Customer request		
201	4	Support wedges	Customer request		

3.2 in Symbolen

Tabelle 3-2: Delivery contents, in symbols

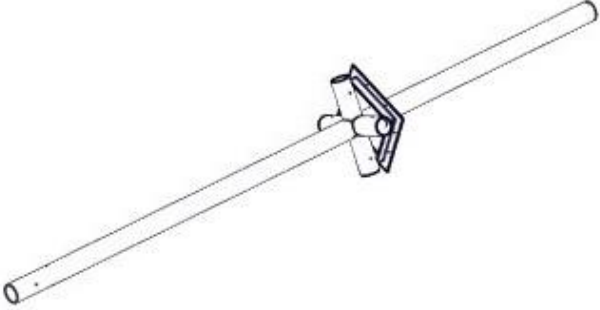
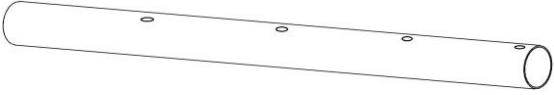
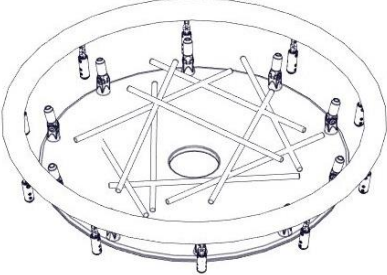
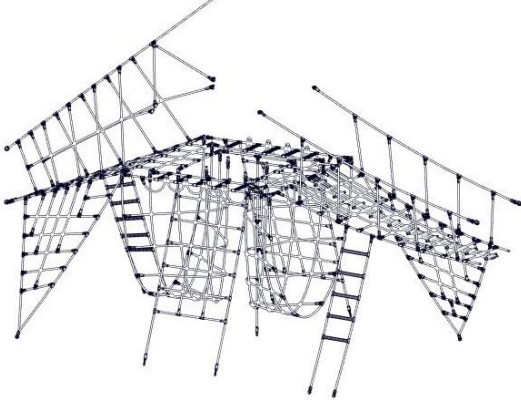
Pos.	Quantity	Symbol
1	1	 <p data-bbox="687 902 1257 936">Ø 159 mm – 6000 mm long ET. 1,00 m</p>
2	4	 <p data-bbox="711 1055 1235 1088">Ø 140 mm (Ø 139,7), 1650 mm long</p>
3	1	
4	1	

Tabelle 3-2: Delivery contents, in symbols


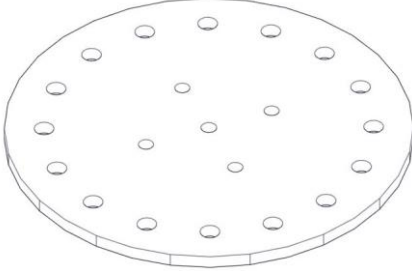
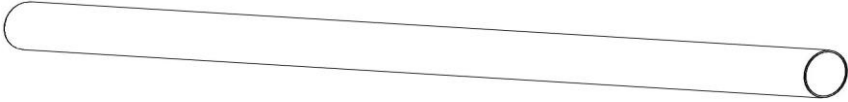

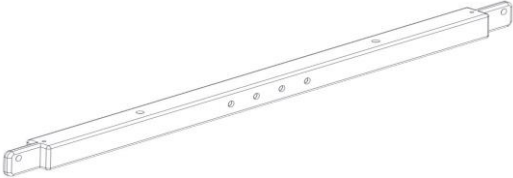
Pos.	Quantity	Symbol
5	1	
6	1	 Ø 360 mm
7	2	 Ø 102 mm - 3,50 m long ET. 1,00 m
8	1	 Ø 102 mm - 3,50 m long ET.1,00 m
9	1	 Cross bar 1,09 m long

Tabelle 3-2: Delivery contents, in symbols

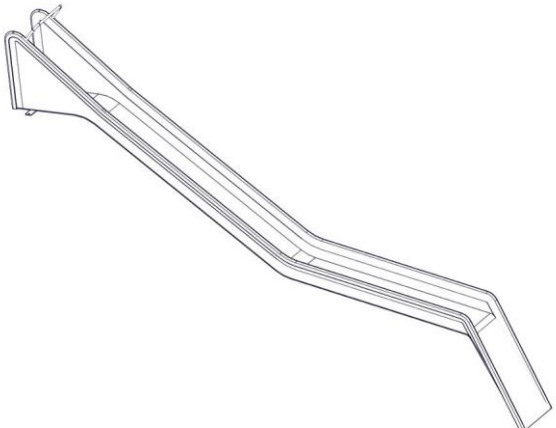

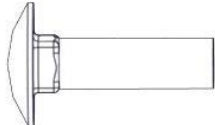

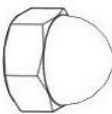
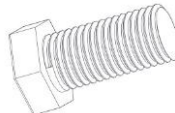
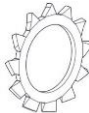
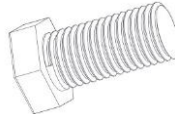
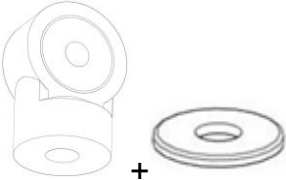
Pos.	Quantity	Symbol
10	1	 <p>Slide (GRP)</p>
100	4	 <p>M10 x 175 mm</p>
101	8	 <p>8 x 40 mm</p>
102	8	 <p>Ø 8,4</p>
103	8	 <p>M8</p>
104	4	 <p>M12 x 30 mm</p>
105	12	 <p>f. M12</p>
106	8	 <p>M12 x 25 m</p>
108	4	 <p>M12 VA</p>

Tabelle 3-2: Delivery contents, in symbols





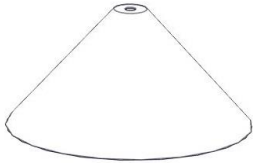

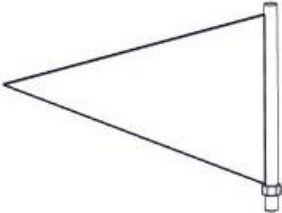




Pos.	Quantity	Symbol
111	12	 M12
112	12	 f. M12
114	2	 M16
115	1	 M16 x 460 mm
116	1	 Ø 375 mm x 140 mm high
117	1	 f. M16 (Ø 17)
118	1	
119	1	 M16
120	1	 f. M16
122	4	 Ø 140 mm
123	12	 5 x 30 mm

Tabelle 3-2: Delivery contents, in symbols

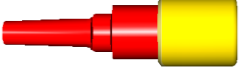





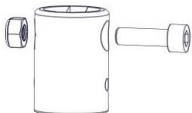


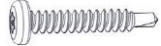
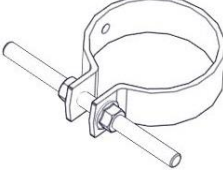
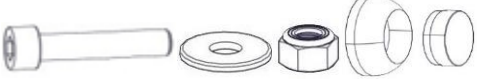
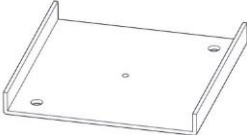

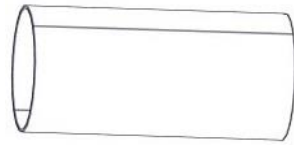
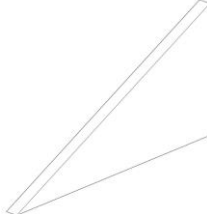


Pos.	Quantity	Symbol
124	2	 Loctite (bolt lock) per 3 ml
125	2	 M12 x 250 mm
126	4	 M12
130	100	 4 x 25 mm
131	6	 für Ø 102
132	6	 für Ø 102
133	6	
133 a	6	
134	6	 Flat head screw, sleeve nut M6 x 25 mm
135	9	 5,5 x 25 mm
136	3	 für Ø 102
137	2	

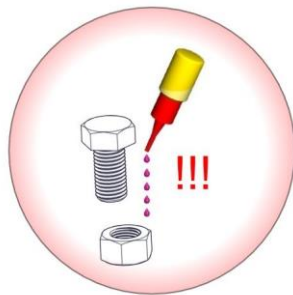
Tabelle 3-2: Delivery contents, in symbols

Pos.	Quantity	Symbol
139	1	 500 x 500 mm
140	6	 M12 x 60 mm
200	1	 ca. Ø 300 x 650 lg (by the customer)
201	4	

	<u>Black Beard-abbreviations</u>
AB	the legally prescribed setting periods must be observed!
BdB	Fix the netting on the ground with shackle M8
Bor	Please note drilling direction
D	C25/30 concrete (for foundations)
Det.	Detail diagram
ek	Shorten chains if necessary
F	Fall protection
1-5 FDA	Pay attention on the foundation plan
G	Drainage layer
H	Ø ... (drill bit diameter)
KNR	Foundation pipe – (provided by customer!!!)
LRB	Fill space between pipe and steel post with concrete .
mo	Assemble
MKe	Place steel mast in foundation pipe and level out.
M.Lot	Install posts vertically level
TabNv	Fix T-joint on the blue net!!!
TvEb!	Fasten Traverse before concreting the post
O.K	Upper edge of playing level
PS	Space requirement including safety zone ~71,3 m ²
Snsa 	Do not over tension suspension ropes
vb	Predrill
1.) vb H	Predrill with Ø 3 mm drill
2.) vb H	After that drill with Ø 8 mm
VO	Preassembled
	<p><u>Round off foundation edges (min.R = 100 mm)! Sizes of foundations are designed for soils class "4-5" (natural ground).</u></p> <p><u>Soil class 4: soft to medium plasticity, interleave bound, with minor portion of stone (portion < 30% with bigger diameter of 63 mm grain size)</u></p> <p><u>Soil class 5 : ground with soil class 3 and 4 with big portion of stones (portion > 30% with bigger diameter of 63 mm grain size)</u></p> <p><u>In case of sandy and soft soils, the surface measure of foundations have to be enlarged for about 50%!</u></p>

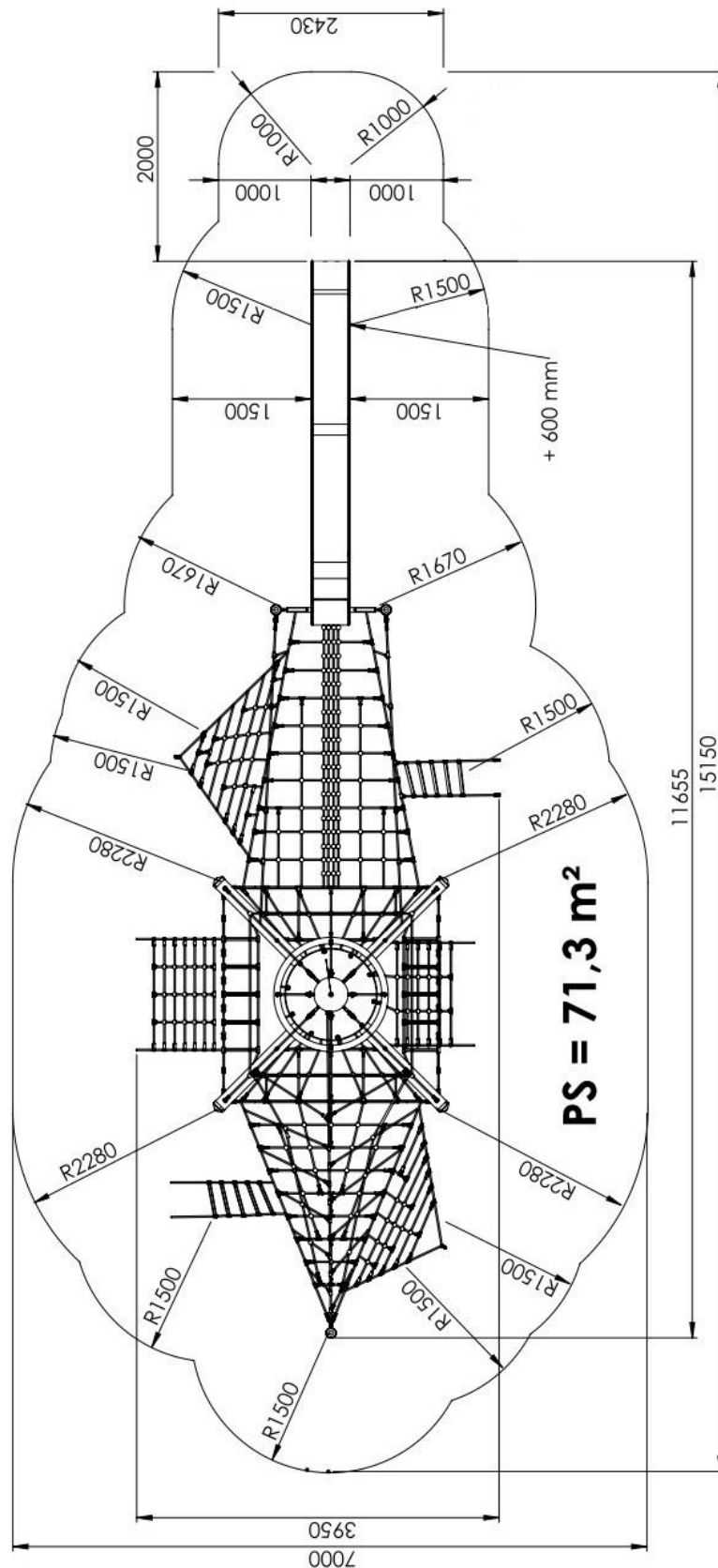
See drawings for details!

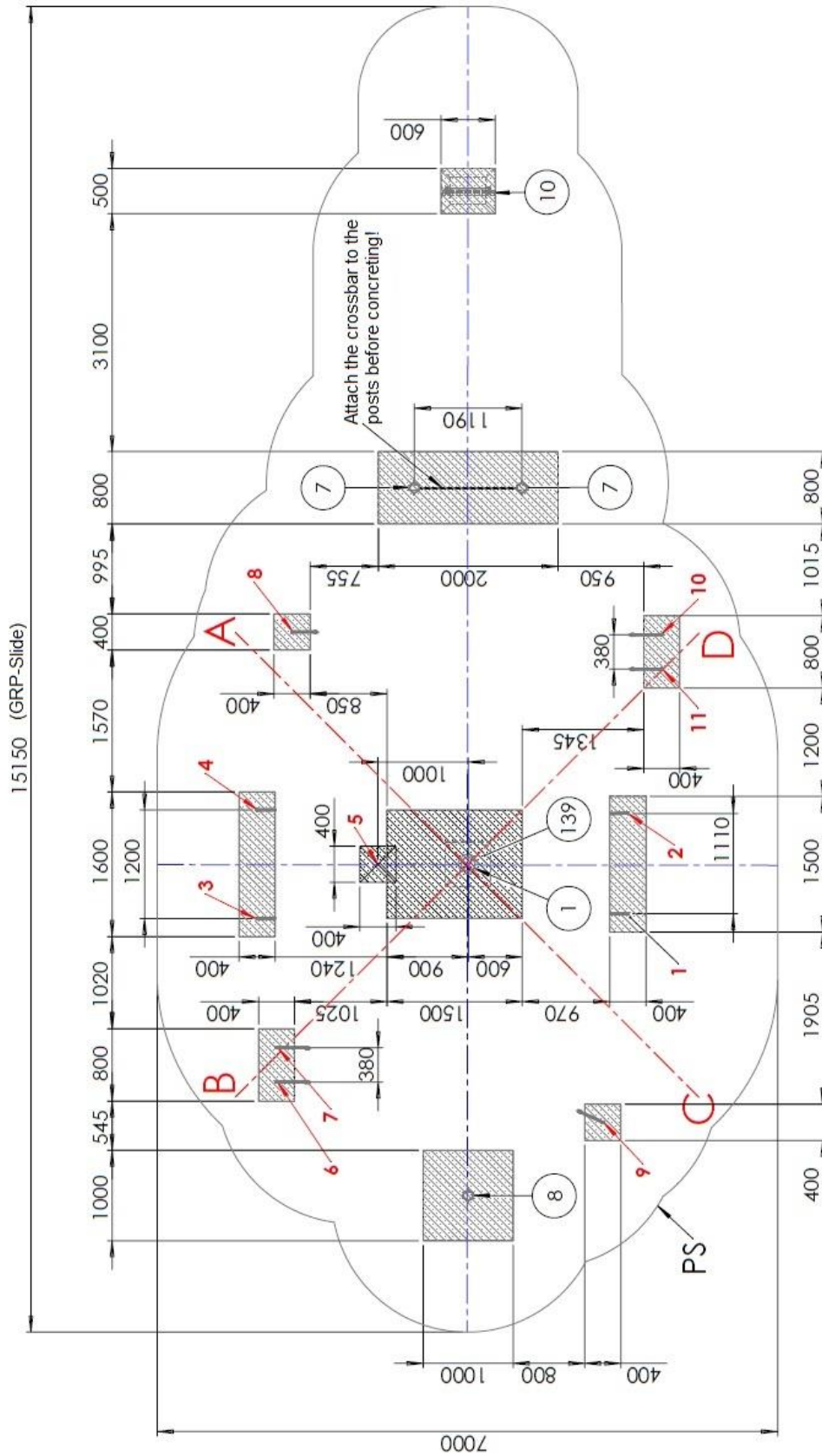
Screw locking device!



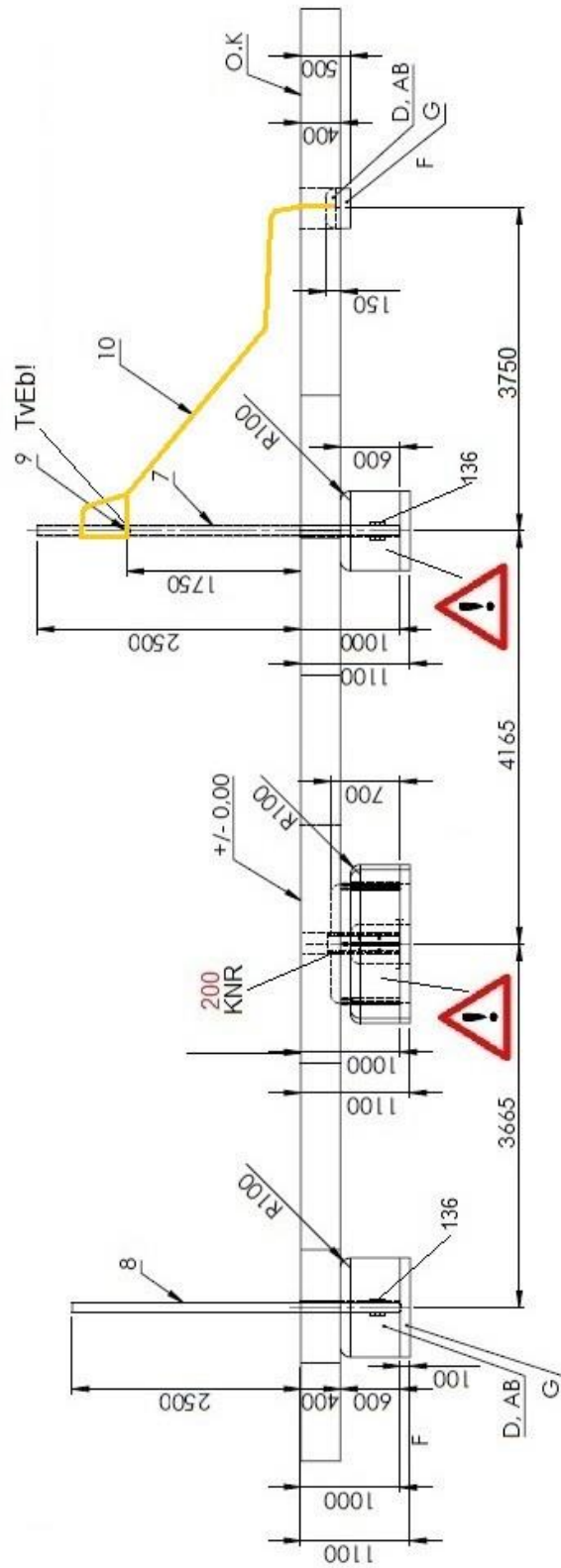
glue all screws, nuts and sleeves with loctite.
(not less than 5 drops !)
(except for lock nut)

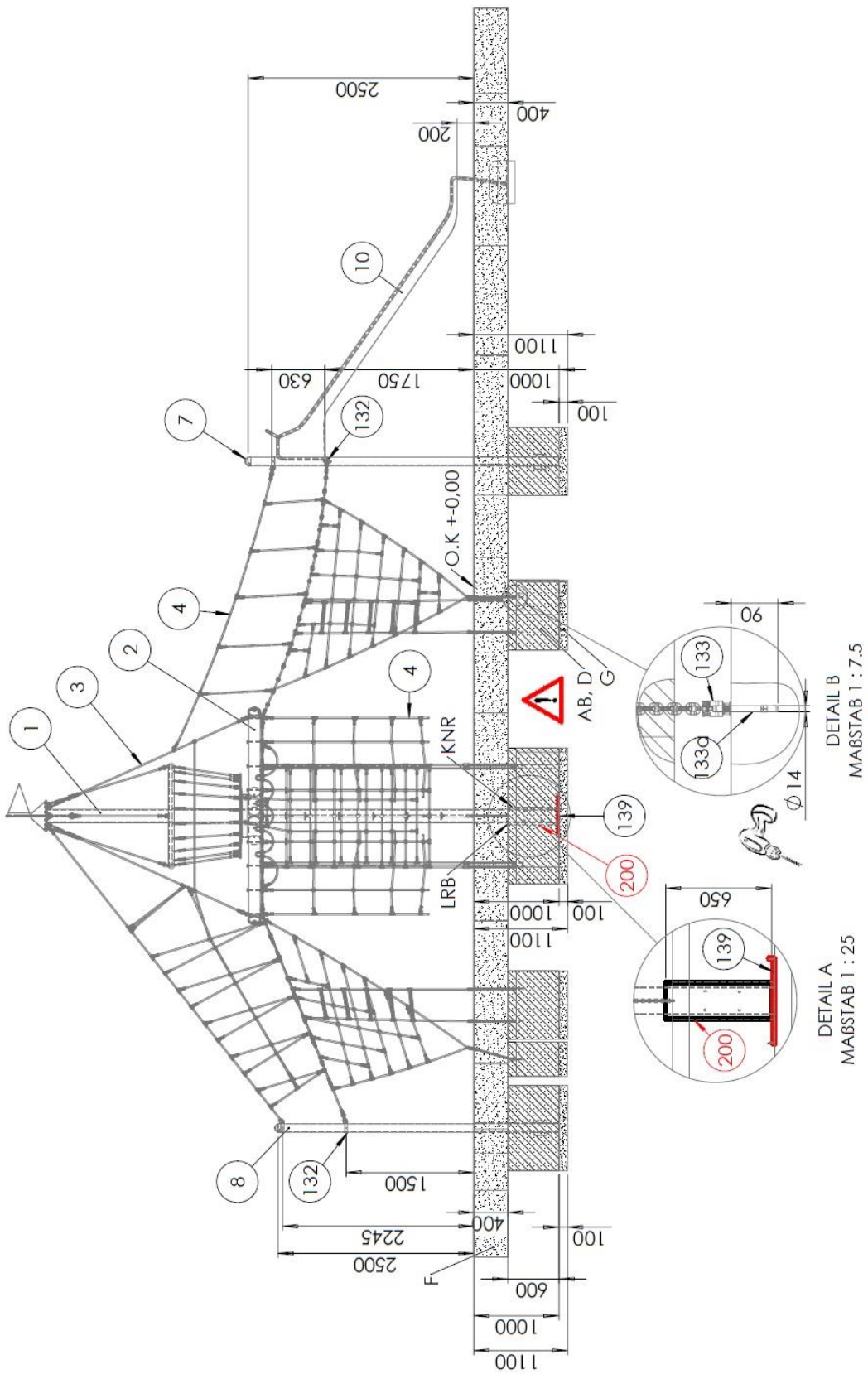
4 Erection instructions

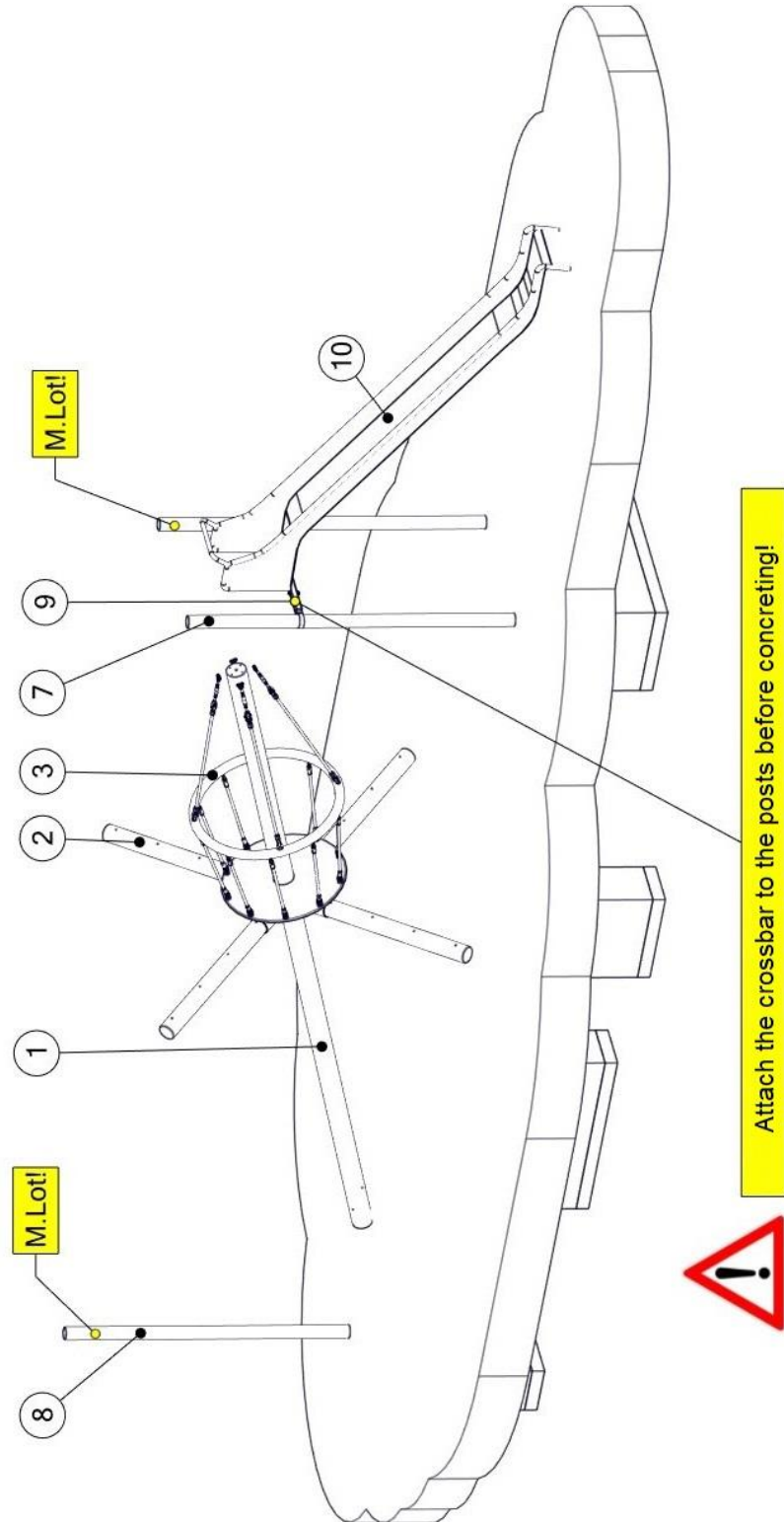


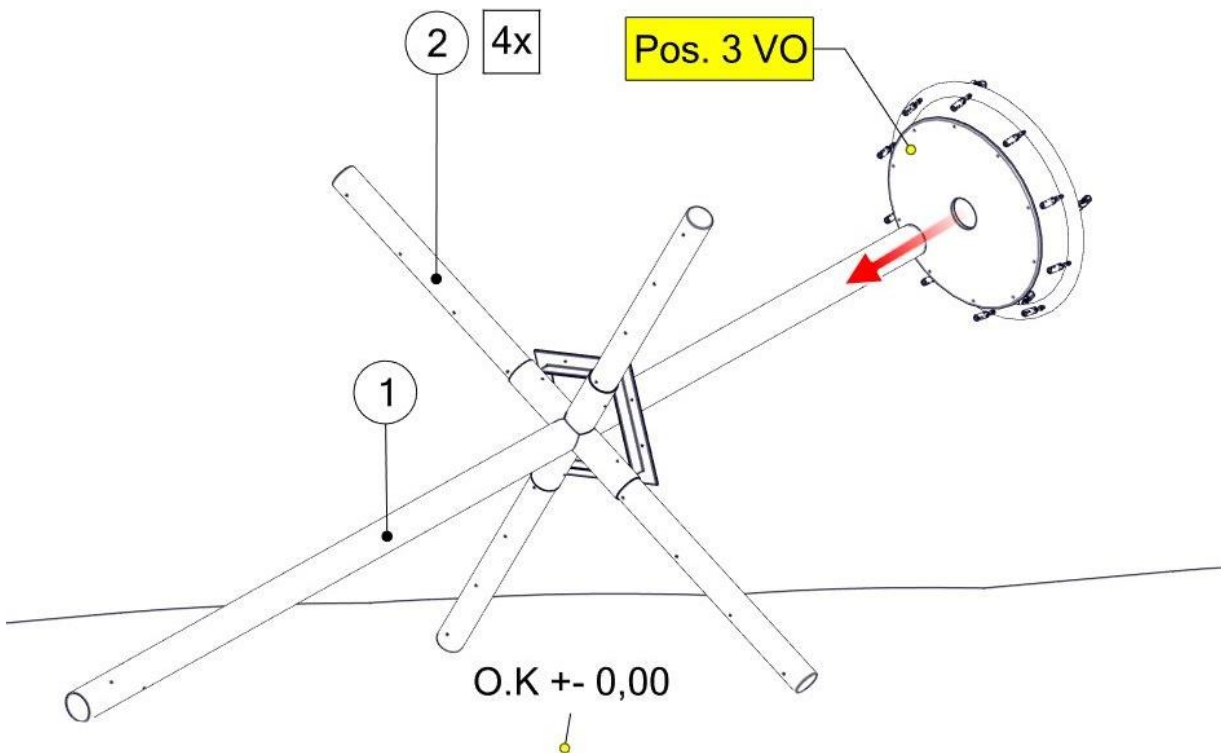
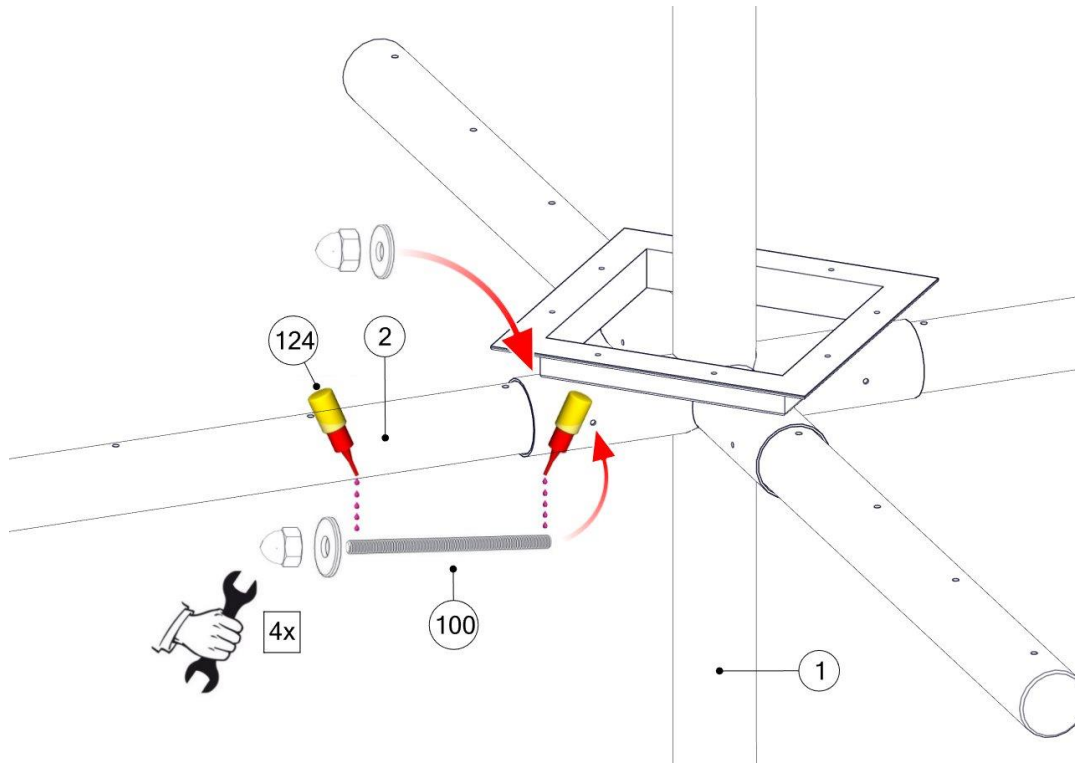


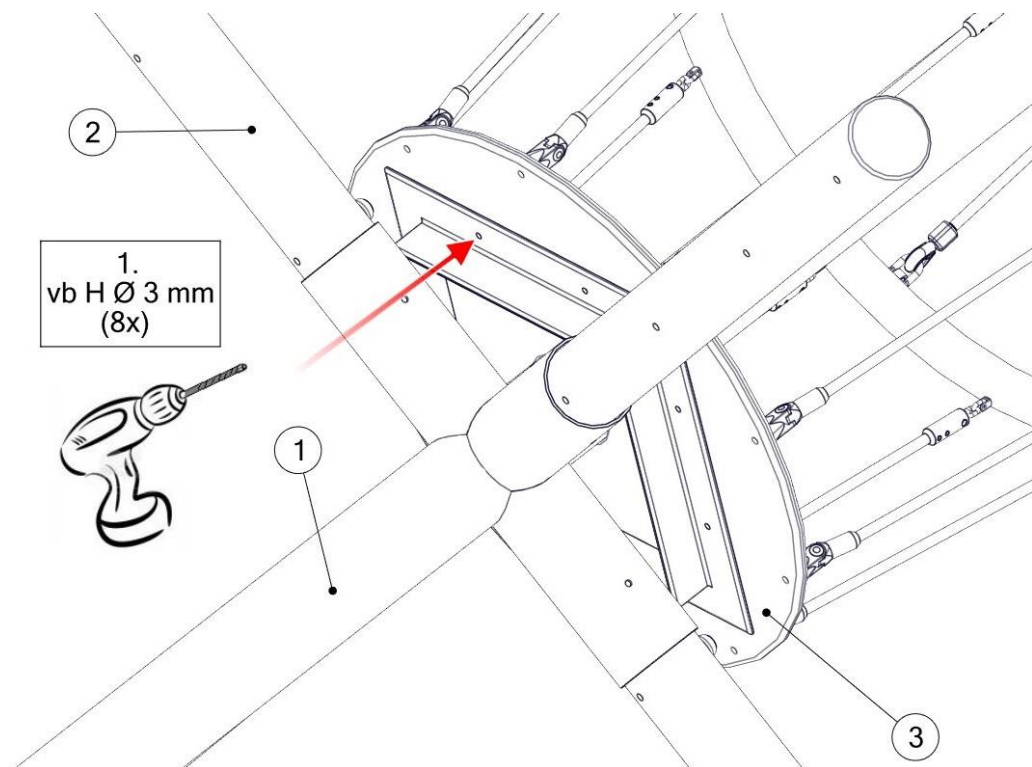
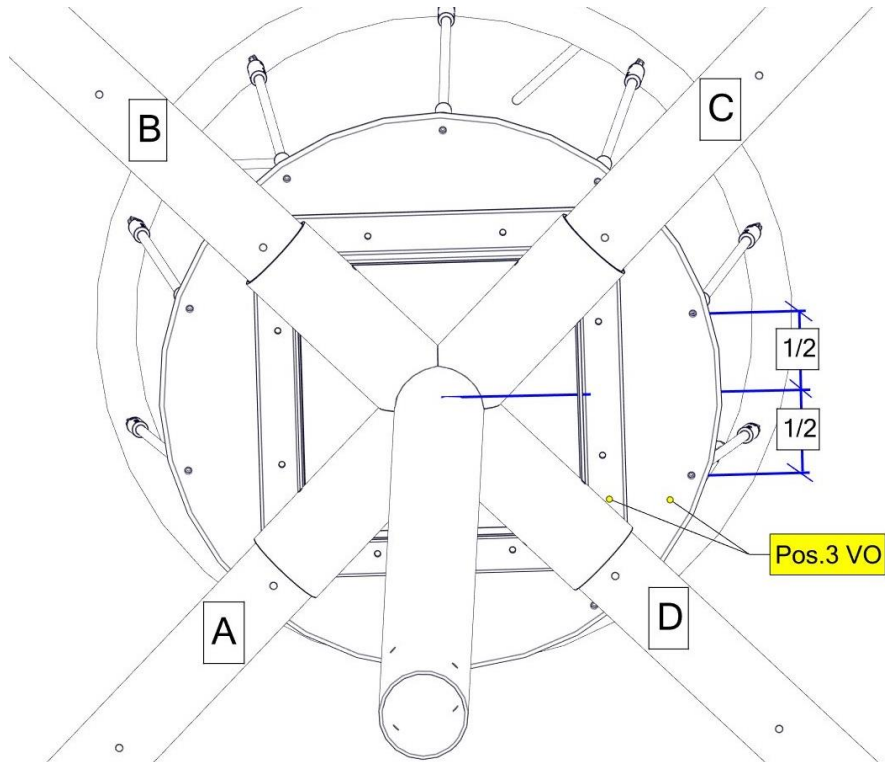
4687-25

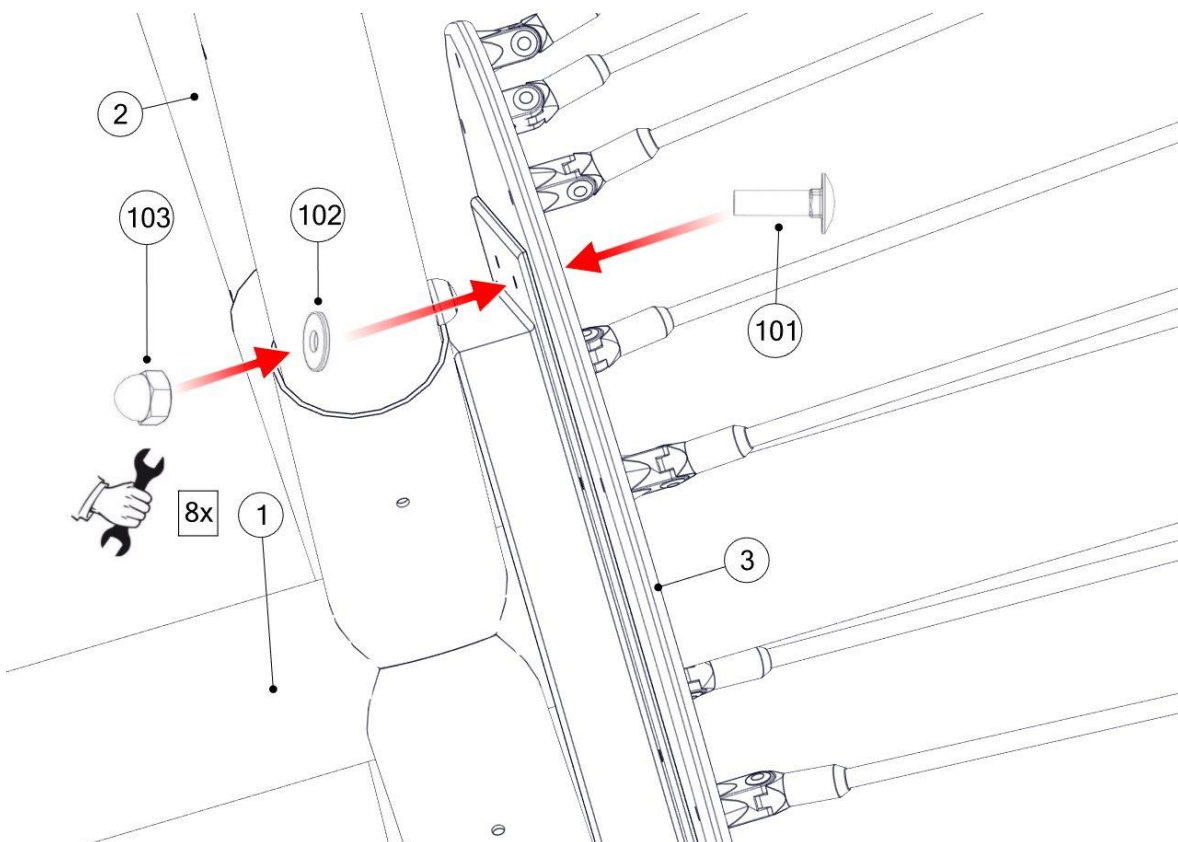
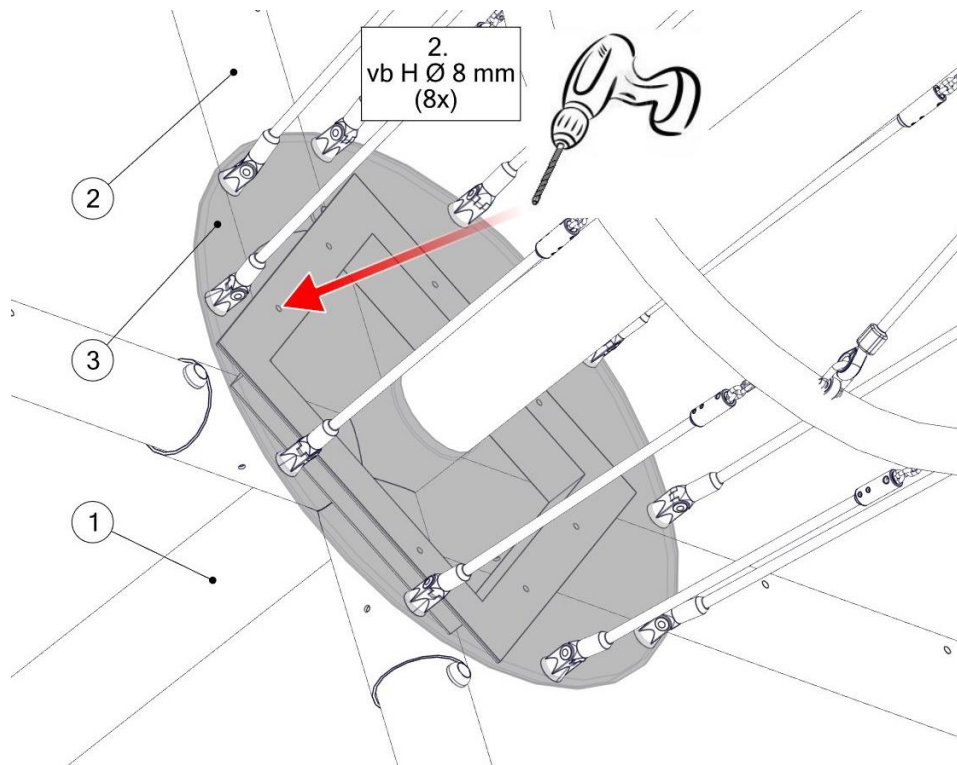


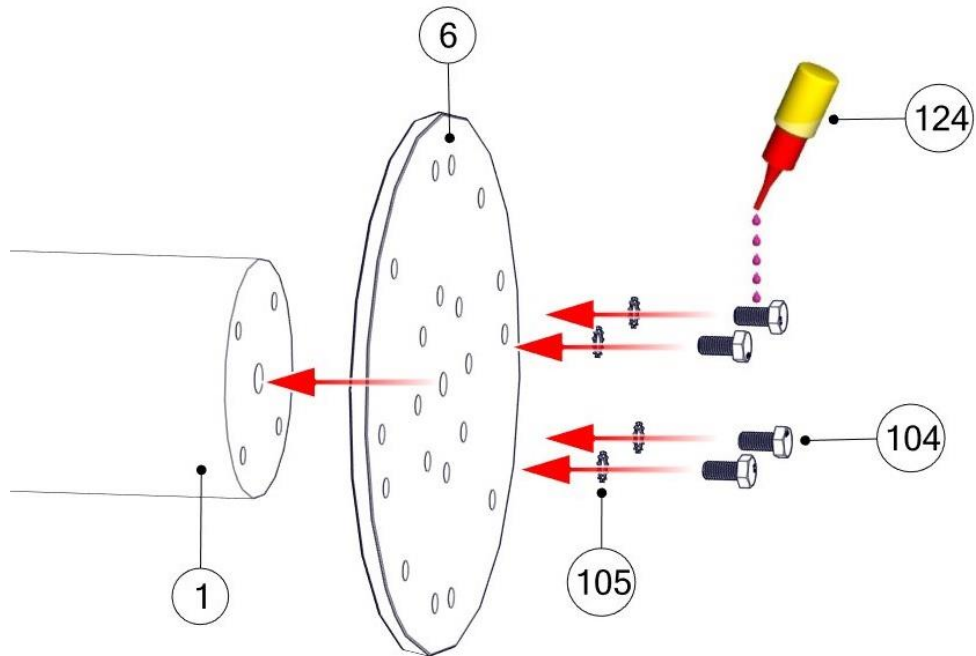
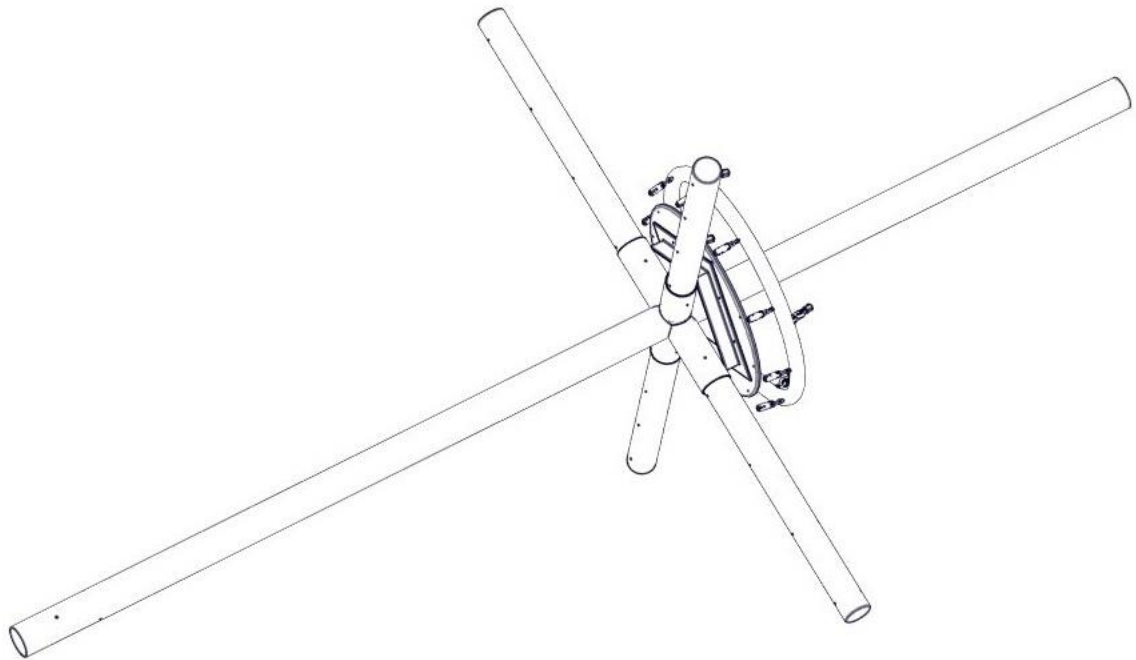


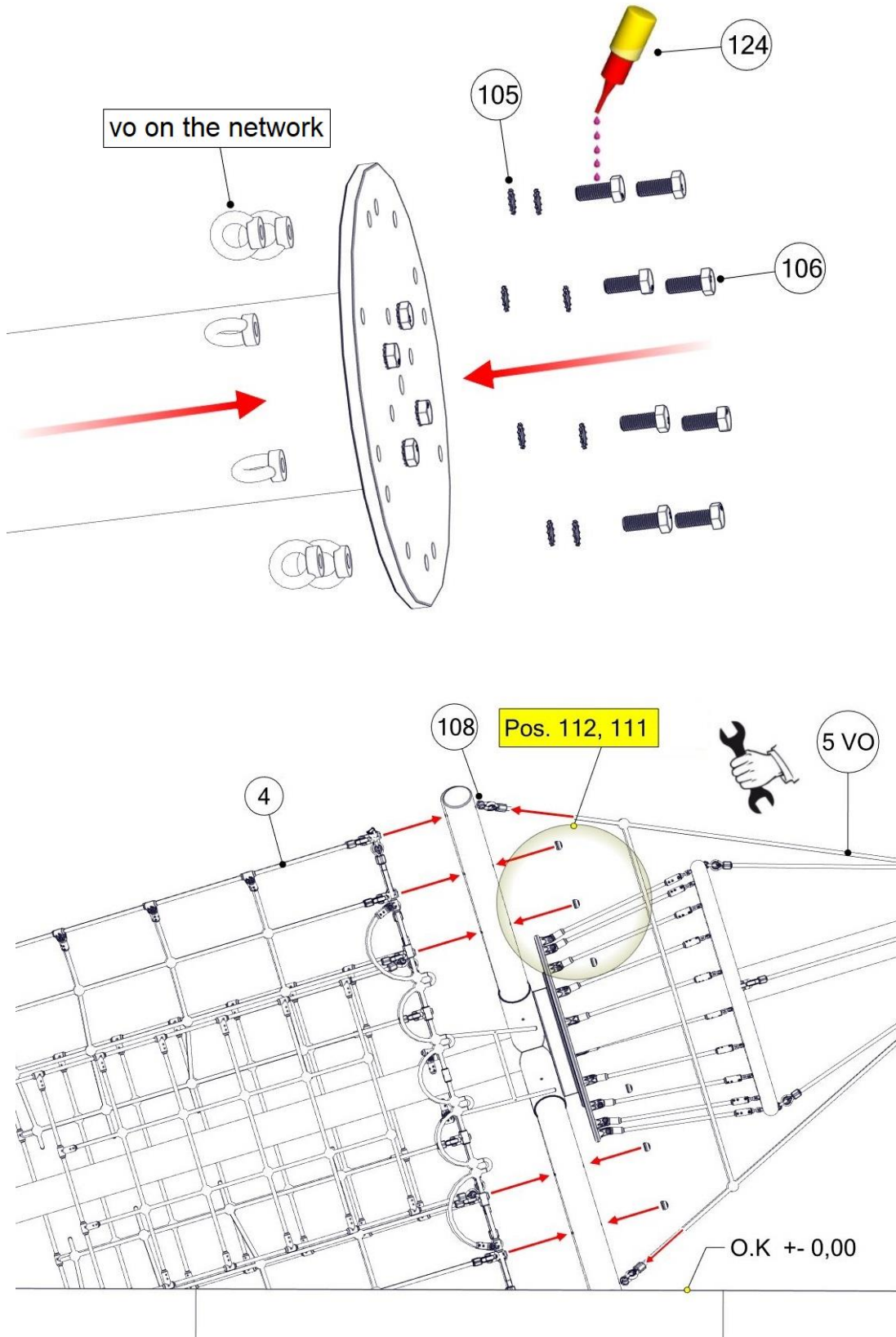


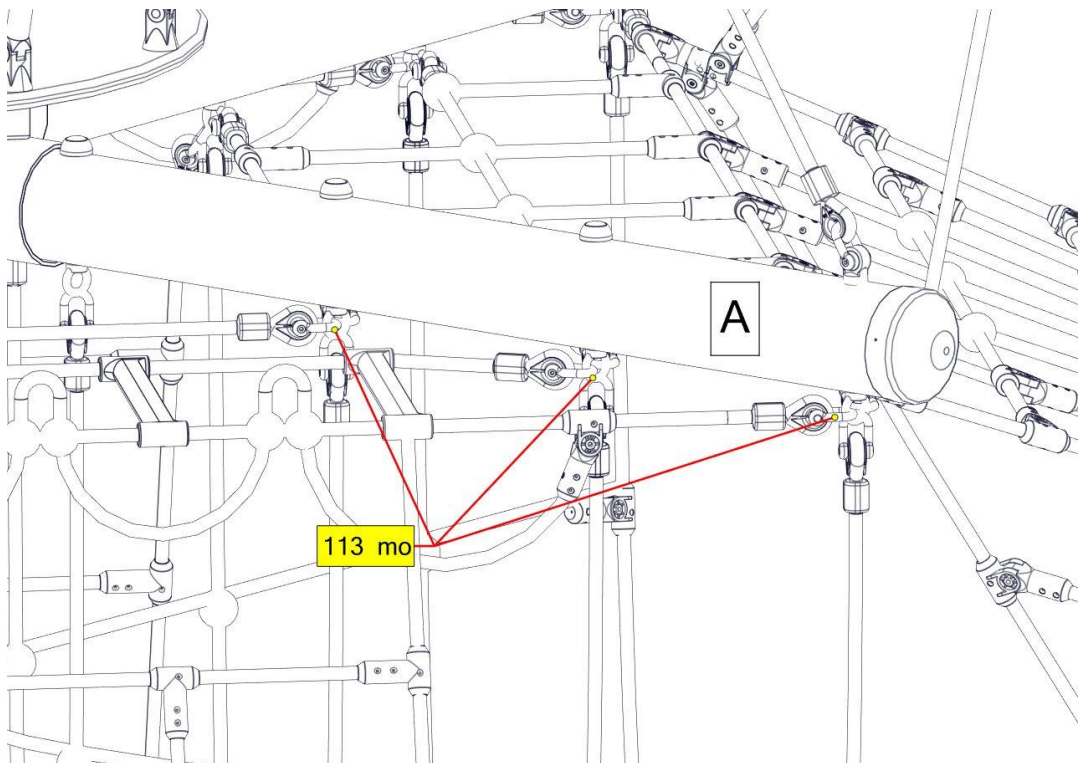
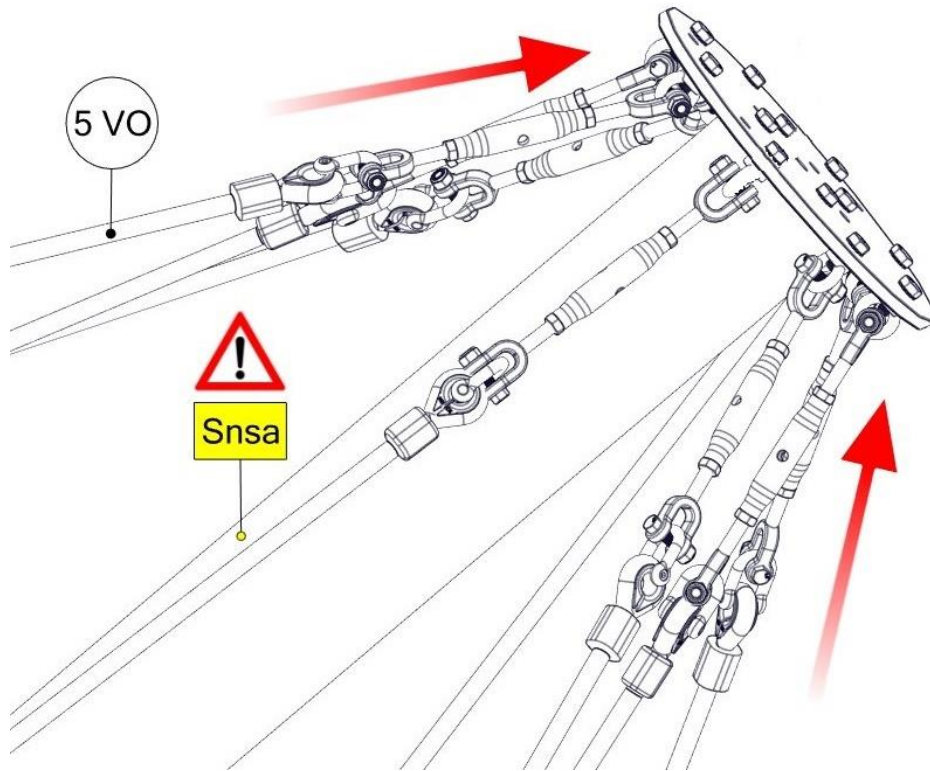


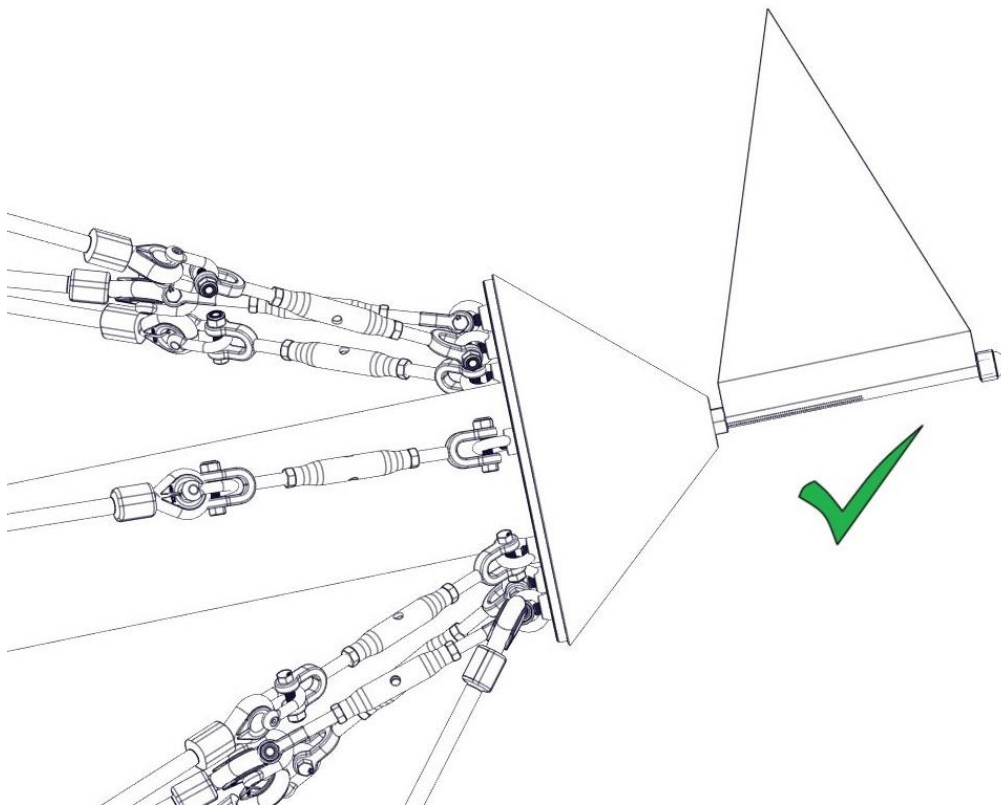
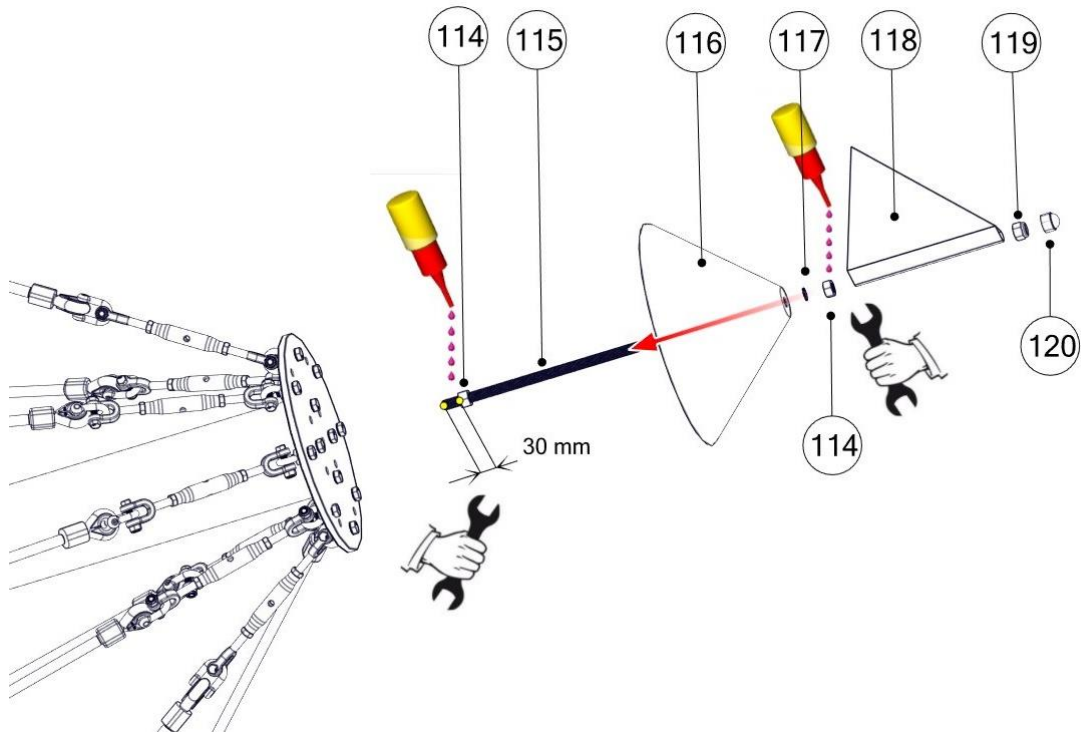


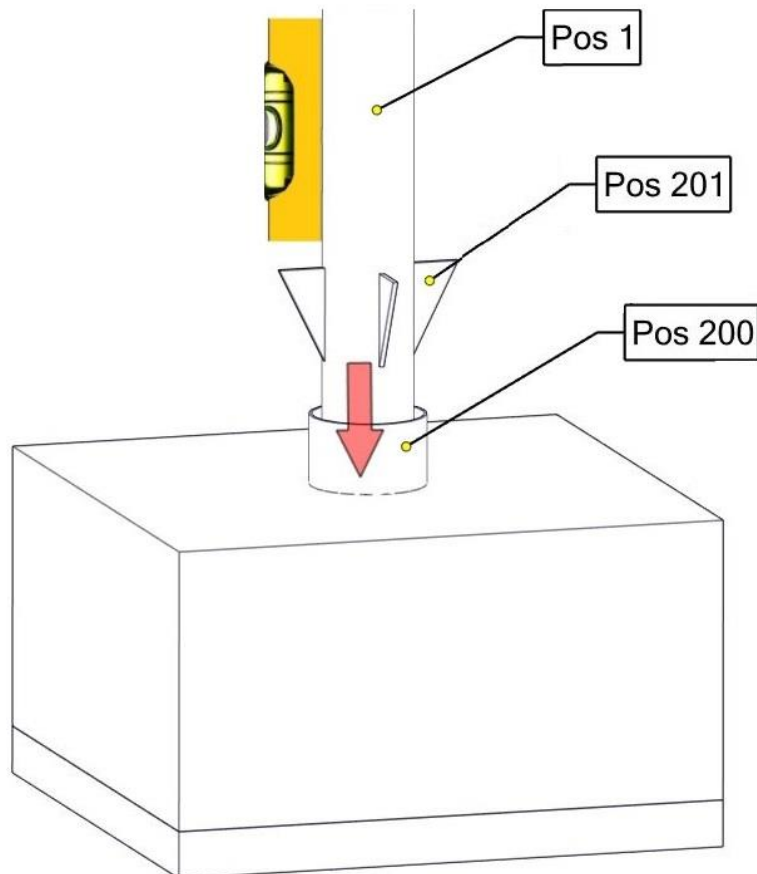
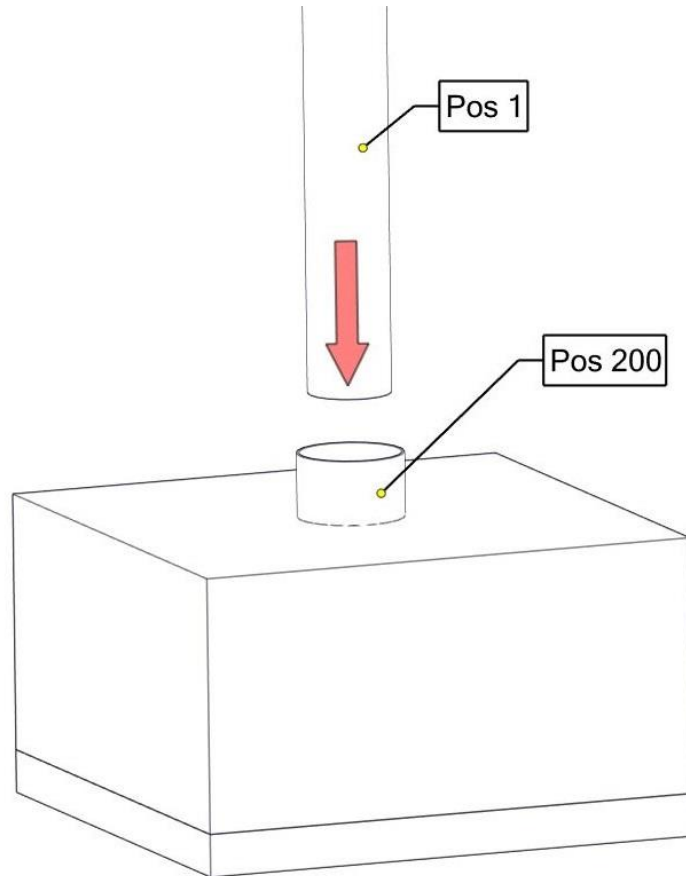


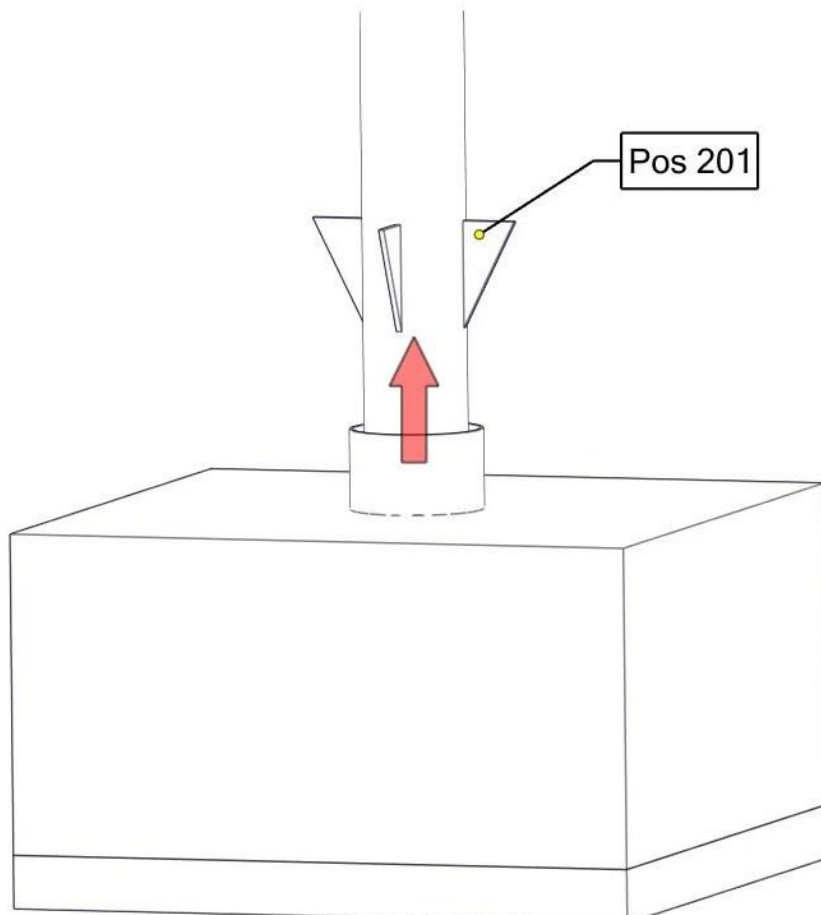
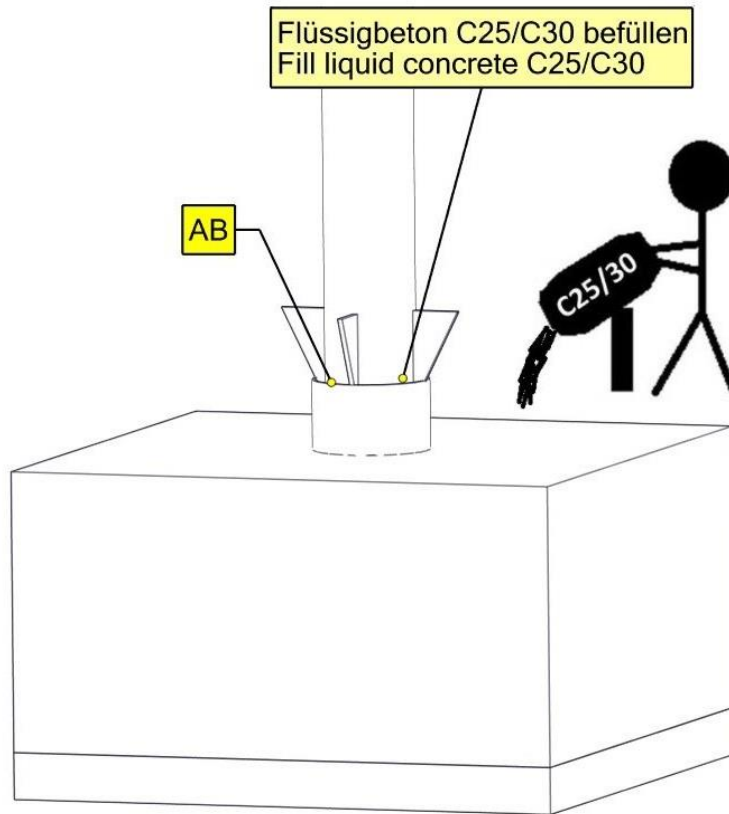


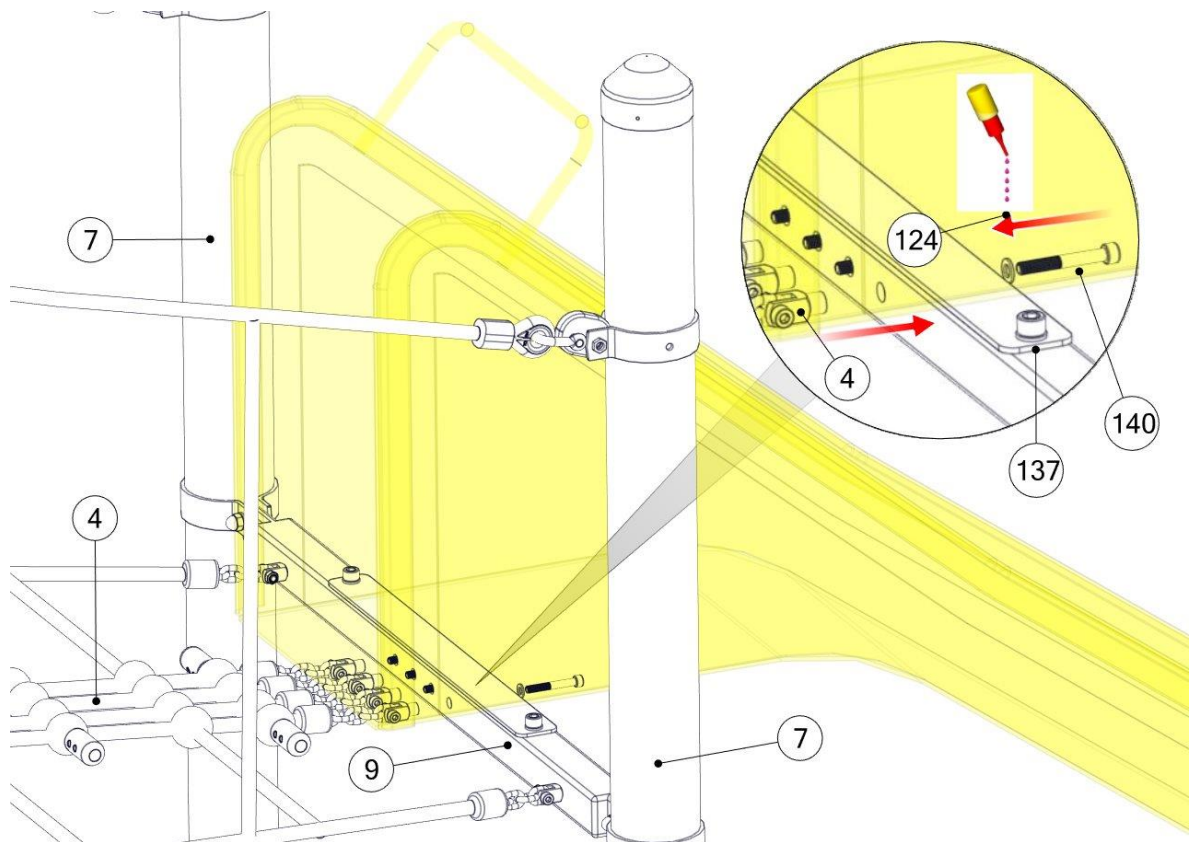
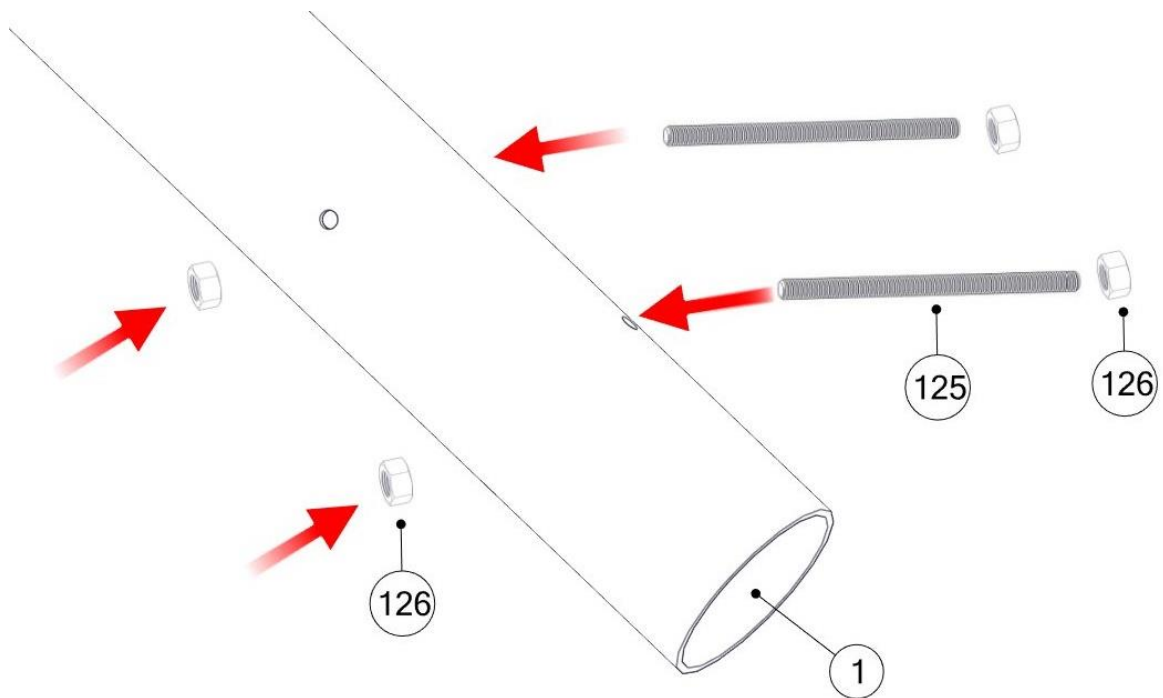


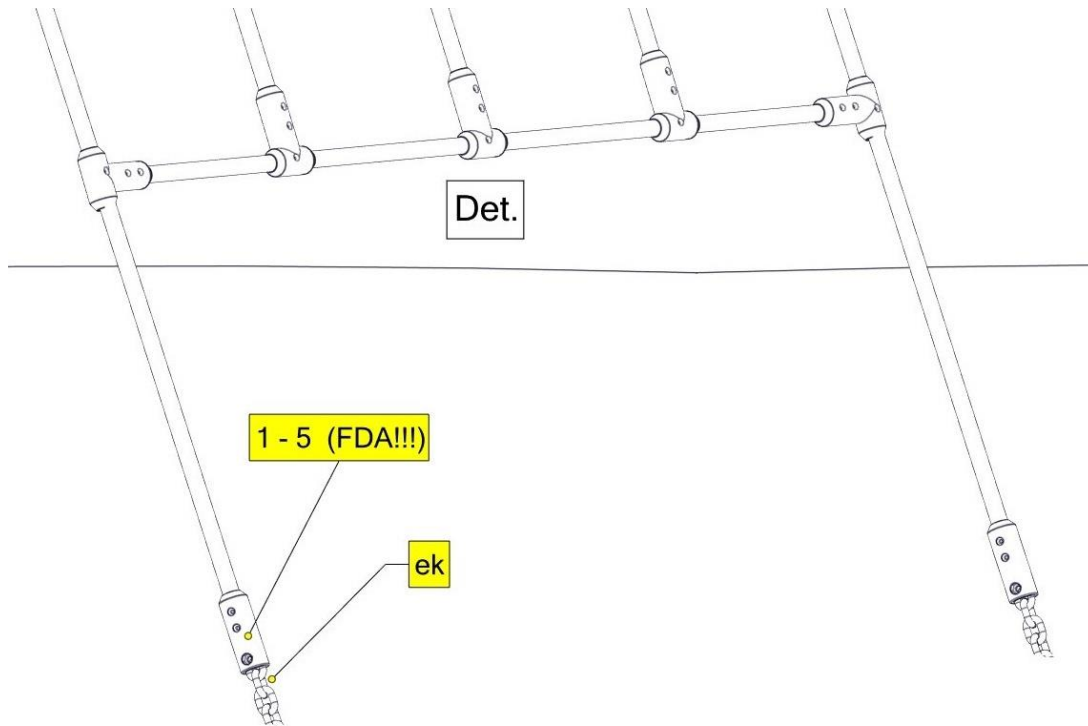
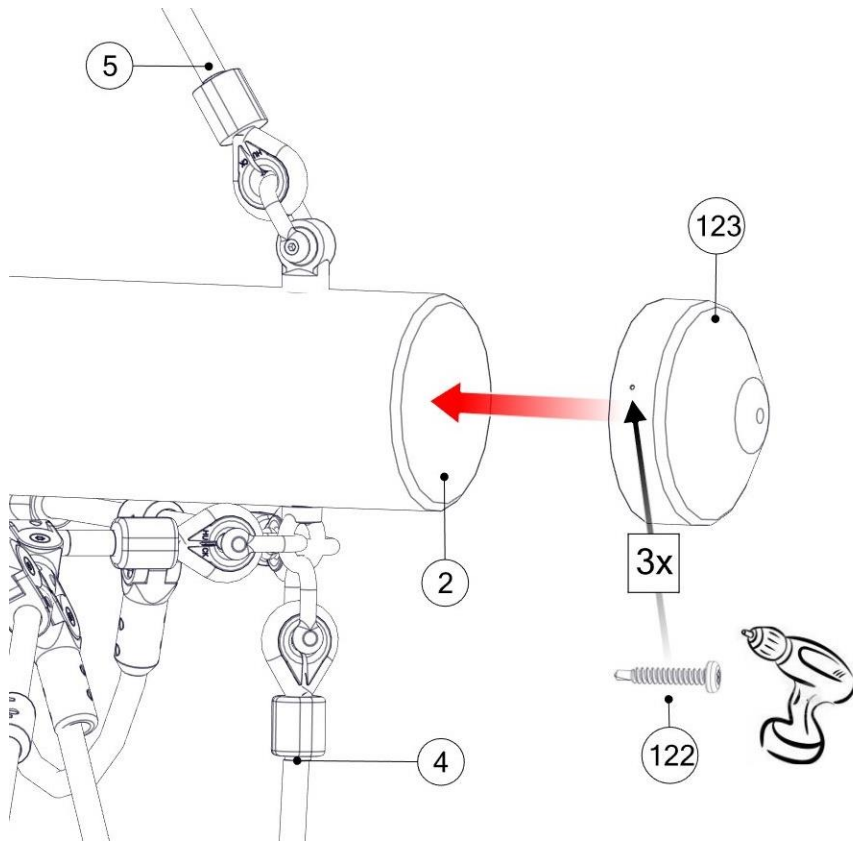


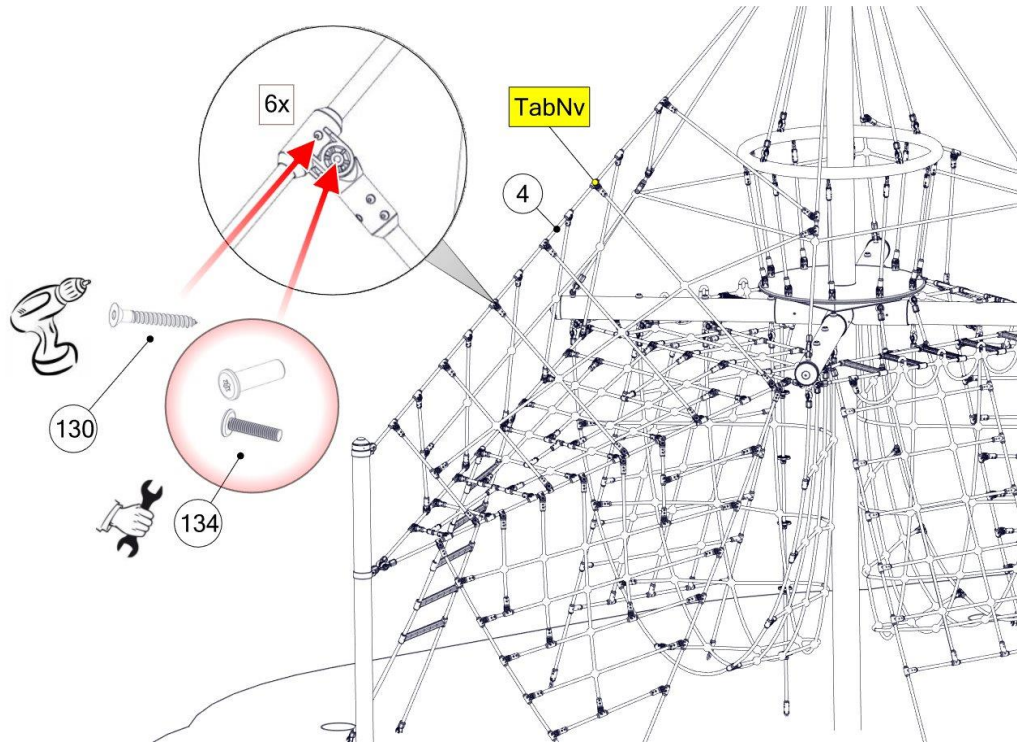












5 Post installation checks



If the equipment has not been installed safely, you must ensure that the public is prevented from using it.

5.1 Marking filler depth

Labelling the posts to show the depth of material provided as fall protection (i.e. loose filler).

5.2 The equipment has not been installed safely in the following cases:

- Safe equipment installation is not complete.
- The protective surface has not been installed yet.
- Appropriate maintenance work cannot guarantee operational safety.

5.3 Removal of all assembly aids

Please make sure that all assembly aids have been removed from the playing area. The equipment must not be approved for use until this check has been made.

5.4 Information about inspection of the equipment before it is used for the first time

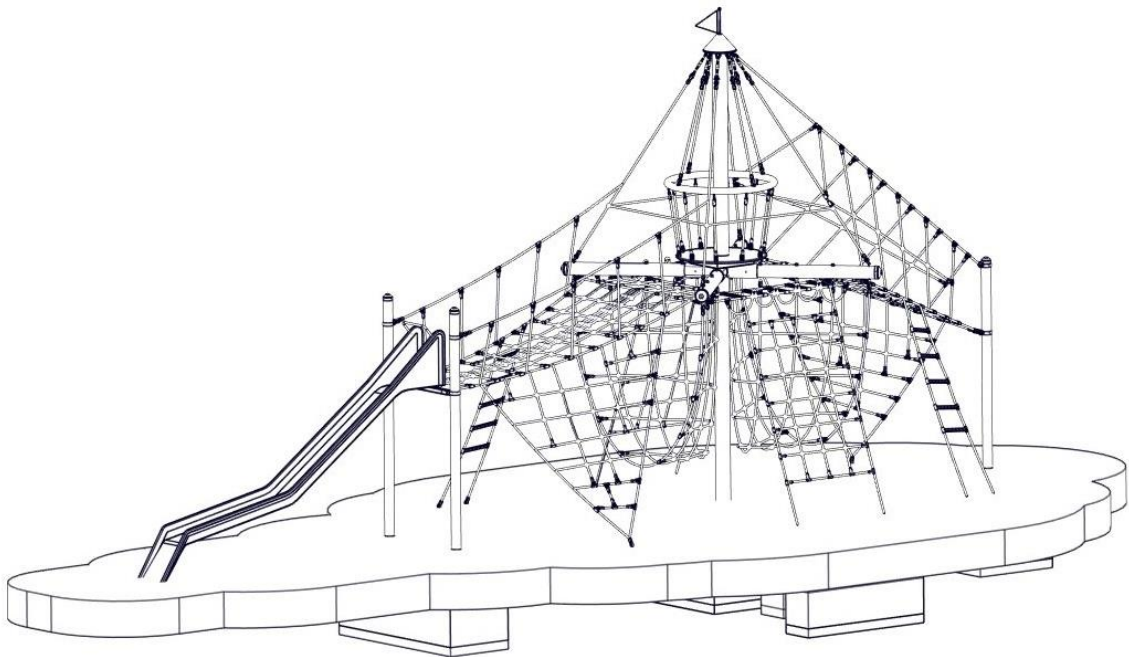
There are no special inspection requirements to be met before the equipment is used for the first time.

5.5 Check the screwed connections

No later than 2 weeks after assembly, all screwed connections should be checked and tightened if necessary.

B Maintenance instructions

Black Beard Pirate Ship Art.-No. 4687-25



Revision historyRevision 0 – 2014-08-18

The first released version

Maiantanance instruction

Revision 5– 2023-06-13

Befestigung der Brücke mit Gabelkopf FH

Anzahl der Fixanker von 6 auf 11 Stück

All rights reserved

© Copyright 2014 Huck Seiltechnik GmbH

6 Introduction Maintenance

6.1 General informations

This equipment should be installed, inspected, maintained and operated in accordance with EN 1176-7 guidelines.



Please note: Providing any necessary repairs are carried out, a piece of play equipment that is inspected regularly cannot become so damaged that it is dangerous.

Any spare parts which may be required can be obtained directly from your supplier.

Adresse: Huck Seiltechnik GmbH
Dillerberg 3
35614 Asslar/Berghausen
Tel. +49 6443 83 11-0
Fax +49 6443 83 11-79



This equipment should only be assembled, maintained and repaired by **persons with the necessary expertise.**

A copy of the inspection record should be given to the operator, who must confirm receipt.

**This maintenance instruction is based on the standard
“EN 1176-1:2017”.**

7 General maintenance information

7.1 Die Wartungsintervalle

Maintenance intervals are based on average use. Please note that more frequent inspections and/or maintenance are required if the play equipment is subject to intensive use!

7.2 Inspection frequency

The frequency of inspections must be based on actual use. Factors that affect frequency include vandalism, location (e.g. coastal proximity), air pollution and the age of the equipment!

7.3 Maintenance products and procedures

All nuts and bolts are hot-dip galvanised or stainless steel. One of the characteristics of stainless steel is that uncontrolled cold welding may occur when the nuts are tightened. To prevent this, it is necessary to spray the nuts and bolts with Teflon spray or another similar lubricant.

7.4 Spare parts

All spare parts must conform to the manufacturer's specifications!

7.5 Identifying spare parts

All spare parts are listed in the parts list. The parts list follows the installation requirements.

7.6 Special instructions for the disposal of individual equipment components

No special instructions are necessary for the disposal of individual equipment components.

7.7 Special measures during the break-in period

No later than 2 weeks after assembly, all screwed connections should be checked and tightened if necessary.

7.8 Maintenance of protective surfaces

Surfaces providing fall protection must also be maintained regularly. It is particularly important to maintain the correct level of loose surface material and add more if necessary.

7.9 Faults



Faults must be repaired as soon as they are detected. If serious defects that compromise safety cannot be repaired straight away, the public must be prevented from using the equipment with immediate effect.

7.10 Loose screws



Loose screws always cause quality problems and put safety at risk. Therefore, loose screws should always be tightened and checks carried out to ensure that there are no missing screws (e.g. look out for holes you can see through).

7.11 Preventing equipment use

Use of the equipment should be prevented in the event of incomplete installation, disassembly, maintenance, repairs and faults.

7.12 Claims/liability for faults

Steel posts and footings are guaranteed if regular maintenance is carried out and recorded in writing. Our general terms and conditions apply. Maintenance first takes place after 3 years. The steel posts must be excavated as far as the concrete foundations and checked for corrosion.

Zinc paint should be applied to any corroded areas and scratches. Check ropes for abrasion. Retreat any that are very worn.

8 Maintenance timetable

8.1 Special advices

8.1.1 Maintenance interval

We strongly advise you to carry out inspections and maintenance work within the specified periods as use of the equipment, the weather and malicious vandalism cause wear and tear that compromises the safety and function of the equipment.

8.1.2 Maintenance intervals in the event of intensive use

Please note that more frequent inspections and/or maintenance are required if the play equipment is subject to intensive use!!!

8.1.3 Faults that compromise safety



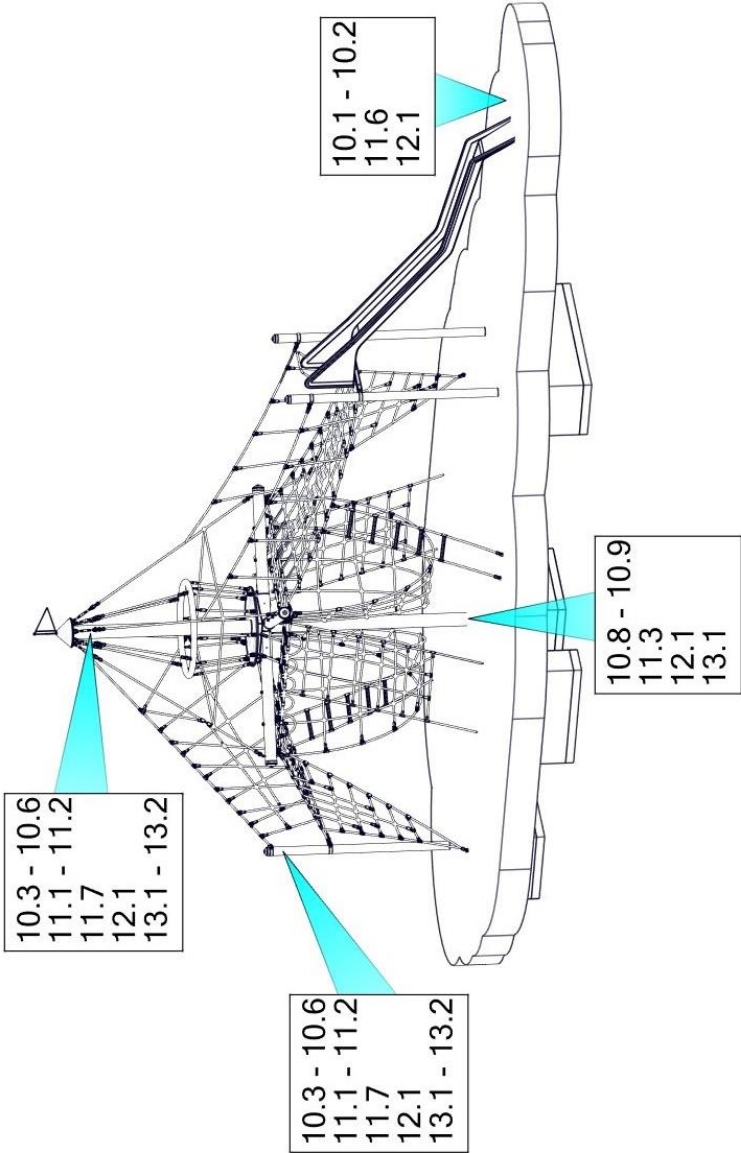
In the event of a fault that compromises safety, quick action must be taken. This may involve repairing it immediately or shutting down and dismantling the equipment.

8.1.4 Faults that compromise function



Faults that compromise function should also be repaired immediately. Such faults lower the value of the equipment to the user and encourage malicious vandalism, which may render the equipment less safe. Any damage should also be repaired immediately.

9 Regular maintenance



10 Monthly maintenance

- 10.1 Check the spaces between the equipment and the ground (clearance and height of fall).**
- 10.2 Check the ground surface in the area with fall protection for hard objects and loose foundations.**
- 10.3 Check all connecting elements and fittings for wear and tear and tighten if necessary. Replace damaged or missing parts.**
- 10.4 Check that moving metal parts (joints, springs, etc.) move smoothly and are not worn. Replace if necessary. It is not necessary to lubricate joints as we only use maintenance-free metal roller bearings.**
- 10.5 Check all attachments such as chains, ropes, nets, etc. for damage and replace if necessary.**
- 10.6 Check rubber parts, sleeves, etc. for wear and tear or damage and replace if necessary.**
- 10.7 If necessary, remove excess padding material from the post footings due to danger of rotting.**
- 10.8 Check the surface of wooden parts for damage caused by the weather or external influences and mould. Repair or replace if necessary.**
- 10.9 Check the surface of plastic and metal parts, e.g. slides, for damage and replace if necessary.**

11 Quarterly maintenance

- 11.1 Detailed inspection of the operation and stability of the equipment paying particular attention to any wear and tear.**
- 11.2 Tighten all forms of attachment.**
- 11.3 Repaint and retreat surfaces.**
- 11.4 Maintenance of fall protection surfaces.**
- 11.5 Lubrication of joints.**
- 11.6 Check the height of the fall and top up with loose filler if necessary. If the posts are labelled, top up as far as the mark.**
- 11.7 Retighten all bolts.**

12 Half yearly maintenance

- 12.1 Stability (check posts, bracing, foundations, etc.). Ascertaining whether there are any changes in equipment safety as a result of repairs that have been carried out or components that have been added or replaced.**



13 Annual maintenance

13.1 **Ascertaining that the equipment, foundations and surfaces are safe for operation.**

13.2 **In particular, the equipment should be checked for decay and corrosion. It may be necessary to dig out or excavate certain components in order to do so. Zinc paint should be applied to corroded areas and scratches.**



The equipment must be inspected by someone **with the necessary expertise** in strict compliance with the instructions issued by Huck Seiltechnik GmbH.

A copy of the inspection record should be given to the operator, who must confirm receipt!

14 Maintenance printout

Name of item: Black Beard Pirate Ship _____ / Art.-No. 4687-25 _____

Location: _____

Customer or operator: _____

(Town, Town council, Kindergarten)

Date of inspection	Inspector	O.K.	Accessible	Barriered	Defects	Repaired by	Date

**Please copy and return once a year after main inspection has been carried out to the manufacturer by Telefax +49 6443 83 11-79
 Place the confirmation form in your existing play equipment files.**

15 Hand over document



After the installation of the equipment pass the installation and maintenance documents to the operator. The operator has to receive the hand over documents. The complete filled and signed hand over document should be sent to the supplier: Huck Seiltechnik GmbH by Telefax +49 6443 8311-79 zurückzusenden!

Art.-No.: 4687-25

Type of item: Black Beard Pirate Ship

Serial number: _____

Customer or operator (Town, Town council, Kindergarten, etc.):

Competent person in charge:

Installation company (address):

Verantwortlicher Mitarbeiter (Monteur):

Received the complete assembly instructions, maintenance instructions and maintenance printout,

(Signature of operator)
(Stamp)

(Signature of installation company)

Date: _____