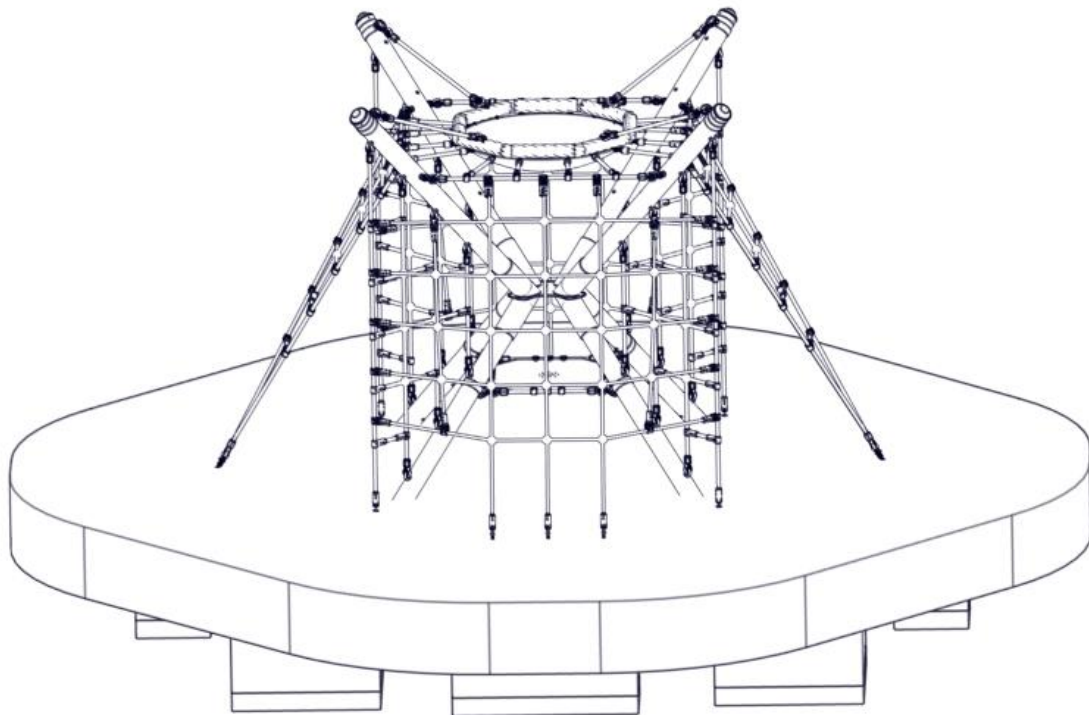


A Assembly instructions **Art.-No. 4597-12 Mikaado 2000**

Attention! Only use the assembly instructions included in the scope of delivery for the assembly, installation and maintenance of the respective equipment!



Operator: _____

Location: _____

Revision history

Revision 0 – 2024-11-05

Erste freigegebene Version FH

Montageanleitung

Alle Rechte vorbehalten

© Copyright 2024 Huck Seiltechnik GmbH

Contents

A	Assembly instructions Mikaado 2000, Art.-No. 4597-12 with steel post	1
1	Introduction Assembling	4
2	Datasheet Mikaado 2000, Art.-No. 4597-12	5
3	Delivery contents (parts list with part numbers).....	9
4	Installation instructions	13
5	Post installation checks	24
B	Maintenance instructions Mikaado 2000, Art.-No. 4597-12	21
6	Introduction Maintenance	23
7	General maintenance information	24
8	Maintenance timetable	26
9	Regular maintenance	27
10	Monthly maintenance	28
11	Quarterly maintenance.....	28
12	Half yearly maintenance.....	28
13	Annual maintenance.....	29
1	Maintenance printout	31
2	Hand over document	33

List of Tables

Table 3-1: Delivery contents, in words	9
Table 3-2: Delivery contents, in symbols	10

1 Introduction Assembling

1.1 General information

This equipment should be installed, inspected, maintained and operated in accordance with EN1176-7 guidelines.

Before installation work commences, please check that you have all of the equipment and fixation components in the parts list provided (see Tables 3-1 and 3-2).

Please consider that the installation has to be carried out only on even terrain (max.slope up to 3%).

Any spare parts that may be required can be obtained directly from your supplier.

Please do not hesitate to call your supplier if you have any problems during installation or in case of any other questions.



Attention

Following installation, complete assembly instructions, maintenance instructions and a maintenance record must be sent to the operator who must confirm receipt in writing. See the last page of this document.



Attention

All nuts and bolts are hot-dip galvanised or stainless steel.

One of the characteristics of stainless steel is that uncontrolled cold welding may occur when the nuts are tightened. To prevent this, it is necessary to spray the nuts and bolts with Teflon spray or another similar lubricant.

We hereby confirm that this play equipment has been tested and certified in accordance with the play equipment standard EN 1176.

2 Datasheet Mikaado 2000, Art.-No. 4597-12

1. Minimum space: 5.70 m x 5.81 m
 Equipment room: 3.60 m x 3,05 m
 Height of equipment: 2.20 m
 height of fall: 1.90 m

2. Required safety surface:

Surface material	Description mm	Minimum thickness of layer mm	Maximum height of fall mm
Topsoil grass			<= 1000 ^d
Chipped bark	20 – 80 grain size	300 400	<= 2000 <= 3000
Wood chippings	5 – 30 grain size	300 400	<= 2000 <= 3000
Sand ^c	0.2 – 2 grain size	300 400	<= 2000 <= 3000
Gravel ^c	2 – 8 grain size	300 400	<= 2000 <= 3000
Other ground materials	As recommended by manufacturer		Critical fall height as checked

3. Name and overall dimension of the largest component:
 Steel post (4 piece) length 2.40 m, Ø 102 mm
 Steel post (4 piece) length 1.70 m, Ø 102 mm
4. Name and weight of the heaviest component:
 Mikado plate (1 piece) Ø 500 mm (~80 kg)
5. Intended age group: 3 years and over
6. **Please note that this equipment is set in concrete.**

Concrete: C25/30

Required concrete: 1.3 m³

area to be excavated:

4x 800 mm x 800 mm x 900 mm incl. 100 mm drainage

2x 400 mm x 400 mm x 900 mm incl. 100 mm drainage

2x 1000 mm x 400 mm x 900 mm incl. 100 mm drainage

Foundations:

4x 800 mm x 800 mm x 400 mm

2x 400 mm x 400 mm x 400 mm

2x 1000 mm x 400 mm x 400 mm



Round off foundation edges (min.R = 100 mm)! Sizes of foundations are “4-5” (natural ground).

Soil class 4: soft to medium plasticity, interleave bound, with minor portion of stone (portion < 30% with bigger diameter of 63 mm grain size).

Soil class 5: ground with soil class 3 and 4 with big portion of stones (portion > 30% with bigger diameter of 63 mm grain size).

In case of sandy and soft soils, the surface measure of foundations have to be enlarged for about 50%!

7. Assembly time, once foundations completed: 3 hours.
Required assistants: 2 persons.
8. Any spare parts which may be required can be obtained directly from your supplier.
9. **We hereby confirm that this item of play equipment has been tested and certified in accordance with the play equipment standard EN 1176.**

Drawings / views

All visual representations merely show the dimensions to be observed and are not binding technical illustrations of the appliances.

We reserve the right to make technical changes that serve the further development of our articles and are reasonable for the purchaser.

Dimensional tolerances / dimensions

Due to the properties and characteristics of the components, small dimensional tolerances are possible compared to the information on the sketches.

This applies to all visible dimensions with the exception of the foundation dimensions or dimensions below the OK floor/playing surface

Explanations of abbreviations and symbols: Version: Mikaado 2000, Art. No. 4597-12 with steel post	
AB	the legally prescribed setting period must be observed
ek	if necessary, shorten the chain accordingly!
F	Fall protection
G	Drainage
D	Concrete C25/30
O.K	Top edge of play level
PS	Fall protection surface
VO	pre-assembled

See drawings!

3 Delivery contents (parts list with part numbers)


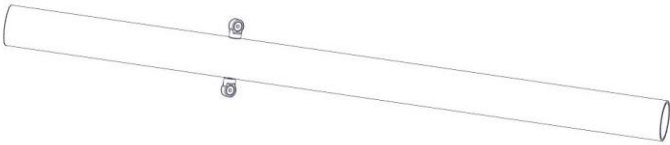
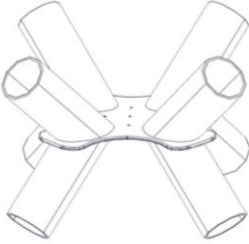
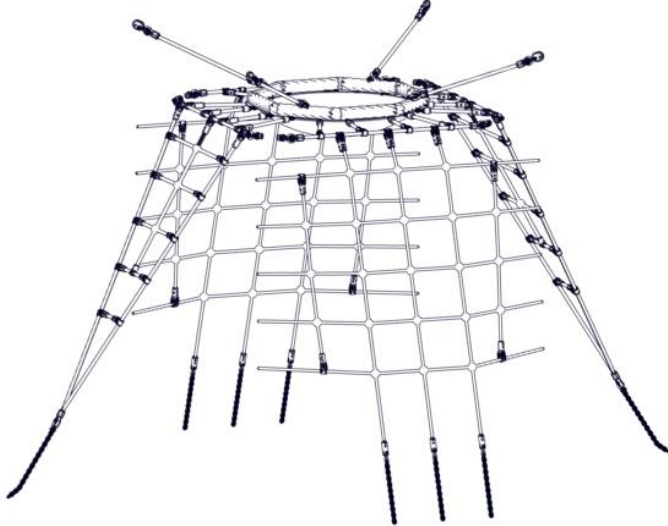
3.1 In words

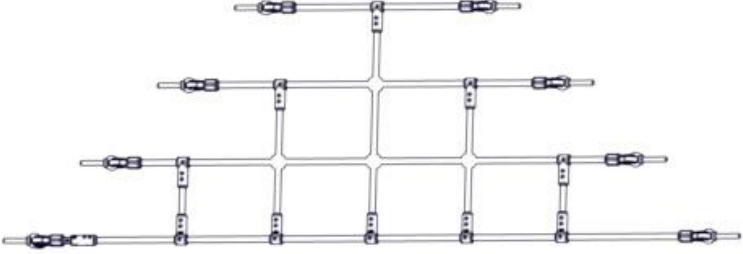
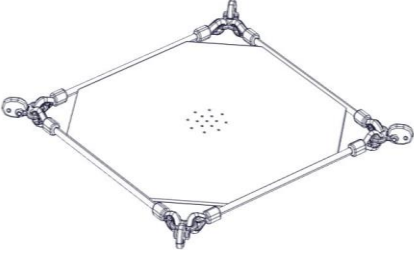



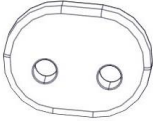

Table 3-1: Delivery contents, in words


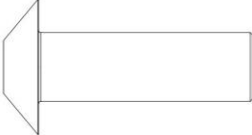
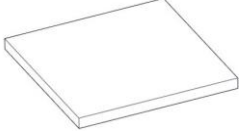
Pos.	Quantity	Element / Description	Size	O.K	Missing
1	4	Steel posts	2400 mm long		
2	4	Steel post	1700 mm long		
3	1	Mikado plate	Ø 500 mm		
4	1	Honeycomb nest (game part VO)	Ø 900 mm		
5	1	Rubber mat (Ropes VO)			
100	4	Post cap	Ø 101,6 mm		
101	12	Self-tapping screws	5,5 x 25 mm		
102	12	carriage bolt mm + washer + stop nut	M10 x 40, M10		
103	12	Aluminum adapter			
104	9	Fixed anchor	M12		
105	9	Chain adapter + allen screw + lock nut	M12, M6x19mm, M6		
106	32	Sleeve nut	M12 x 50 mm		
107	4	Sidewalk slab (on site customer)	250 mm x 250 mm x 40 mm		

3.2 In symbols

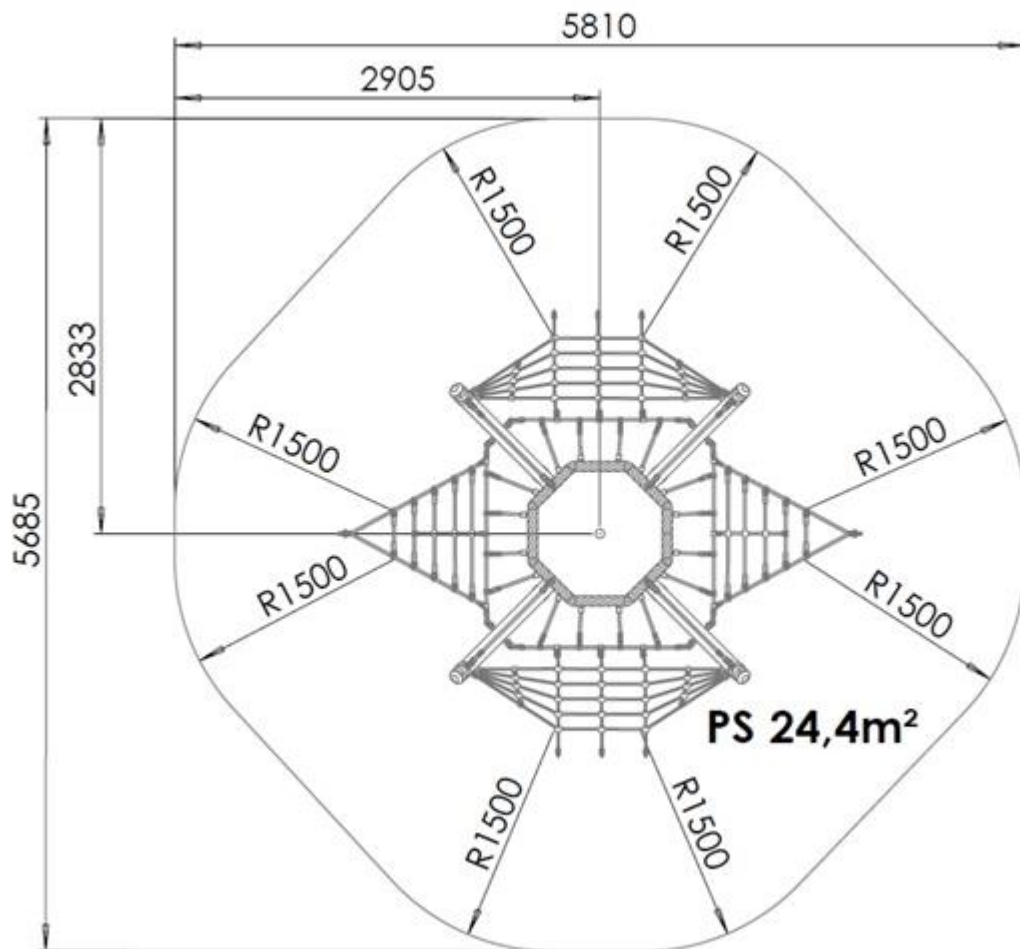
Table 3-2: Delivery contents, in symbols

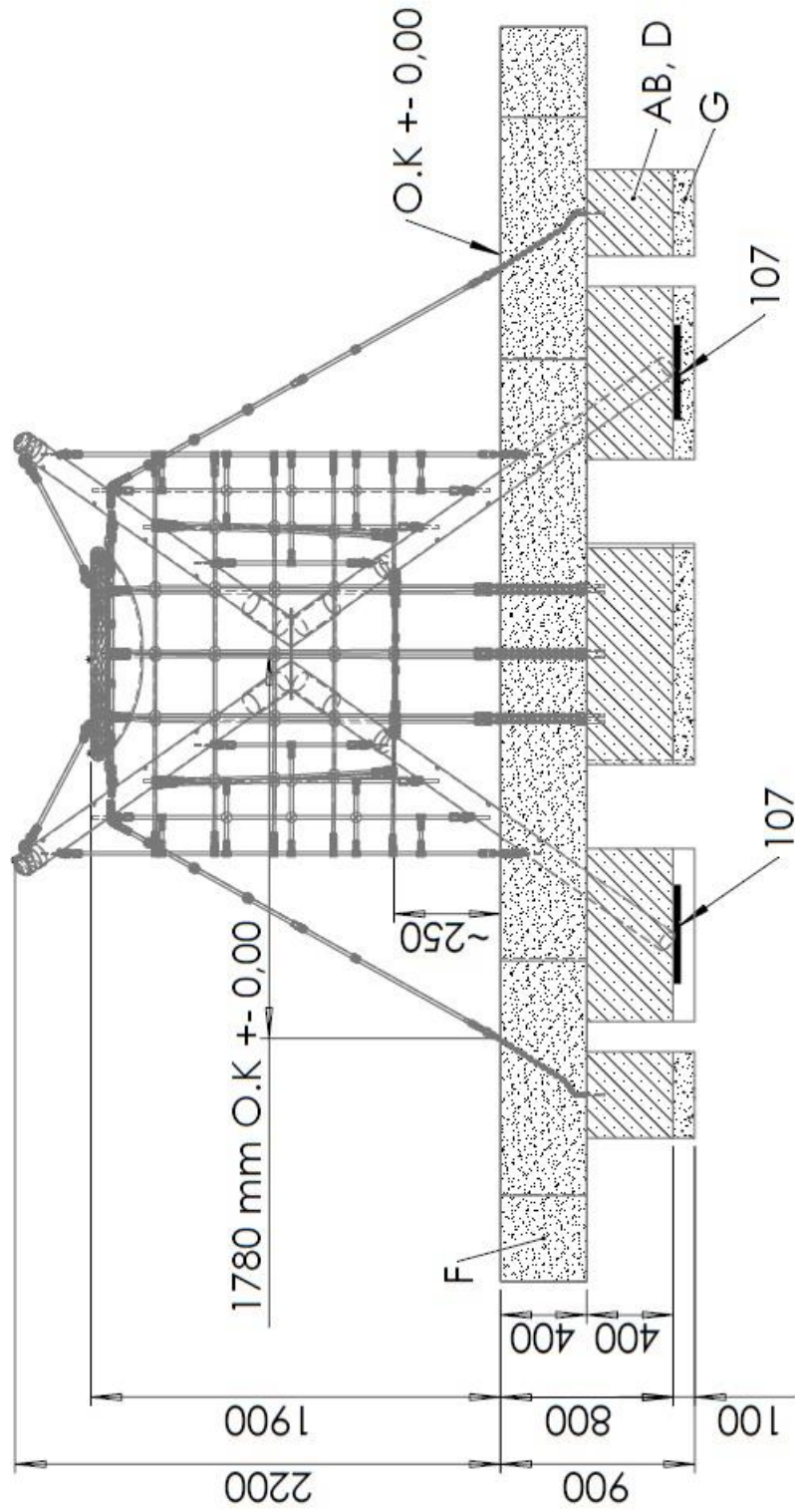
Pos.	Quantity	Symbol
1	4	 Steel post 2400 mm
2	4	 Steel post 1700 mm
3	1	 Mikado plate
4	1	 Basket+nets

Pos.	Quantity	Symbol
4a	4	
5	1	 <p data-bbox="863 1032 1034 1066">Rubber mat</p>
100	4	 <p data-bbox="770 1238 1129 1272">Post cap für Ø 101,6 mm</p>
101	12	 <p data-bbox="660 1375 1235 1408">Self-tapping screws 5,5 x 25, DIN 9021</p>
102	12	 <p data-bbox="580 1603 1326 1637">carriage bolt M10 x 40 mm + washer + stop nut M10</p>
103	12	 <p data-bbox="815 1798 1082 1832">Aluminum adapter</p>
104	9	 <p data-bbox="855 1937 1043 1971">Fixed anchor</p>

Pos.	Quantity	Symbol
105	9	 <p>Chain adapter M12 + allen screw M6 x 19 mm + lock nut M6</p>
106	32	 <p>Sleeve nut M12 x 50</p>
107	4	 <p>Sidewalk slab (on site customer)</p>

4 Installation instructions

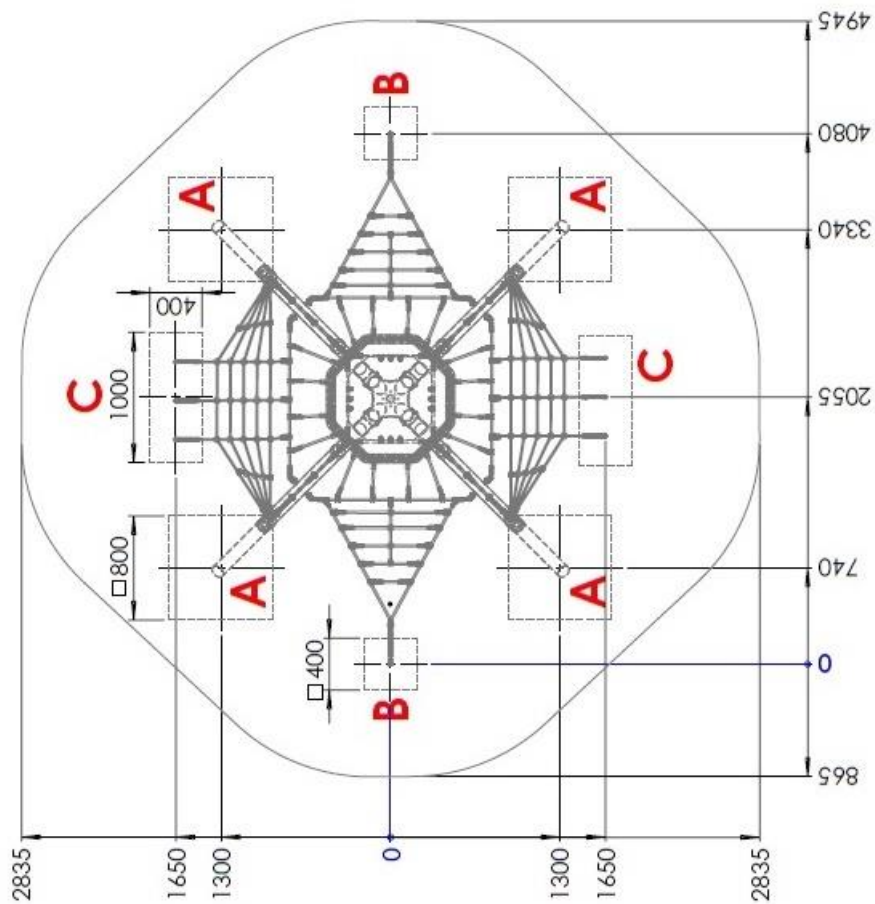


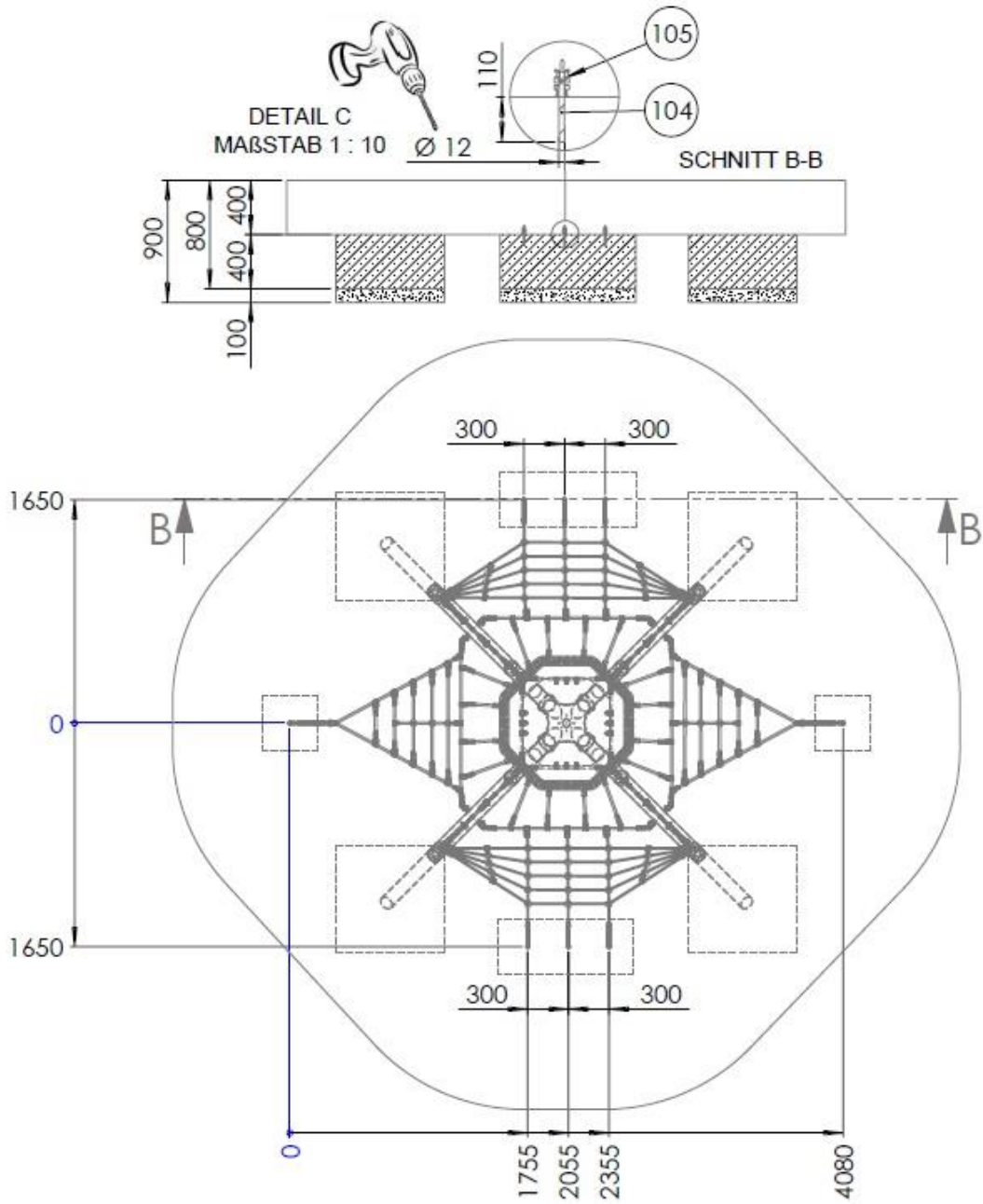


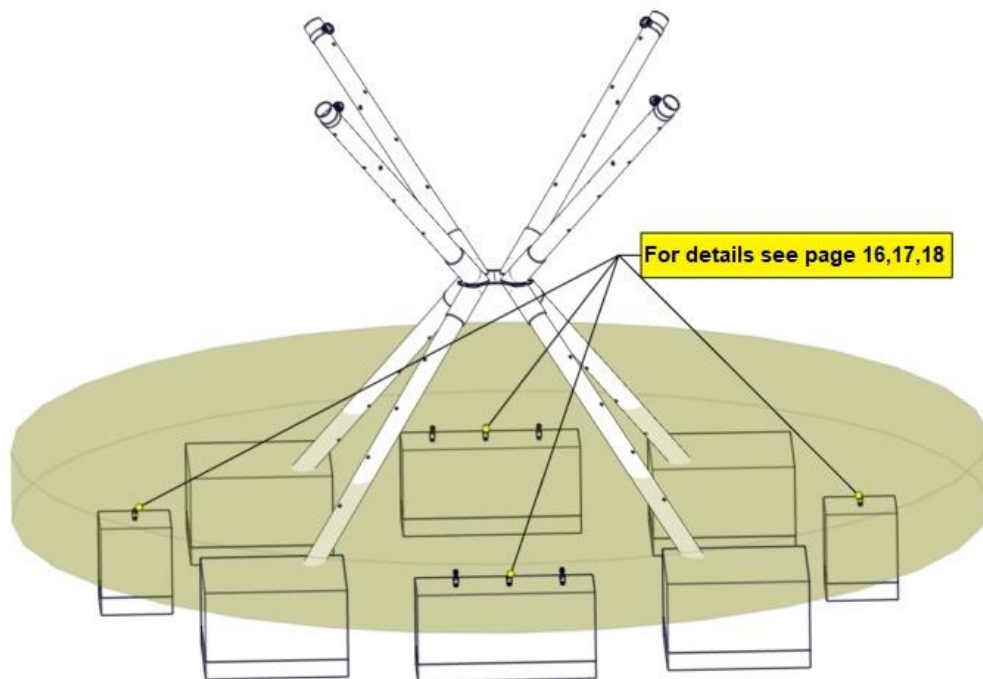
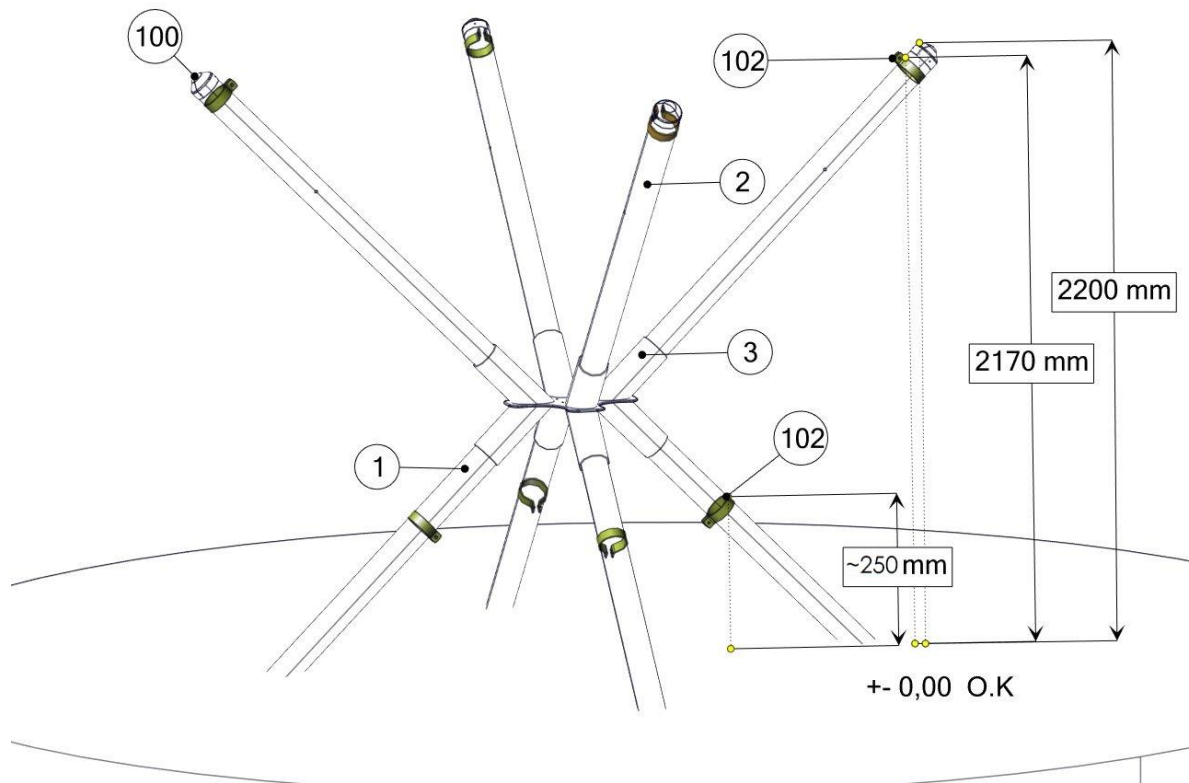
4.1

Foundationplan

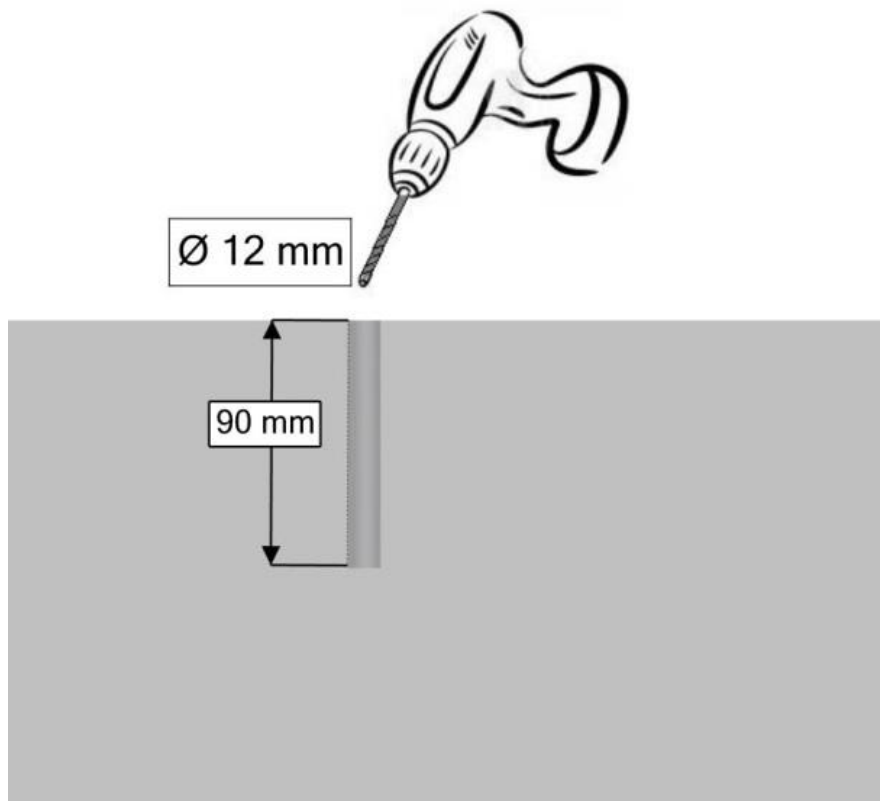
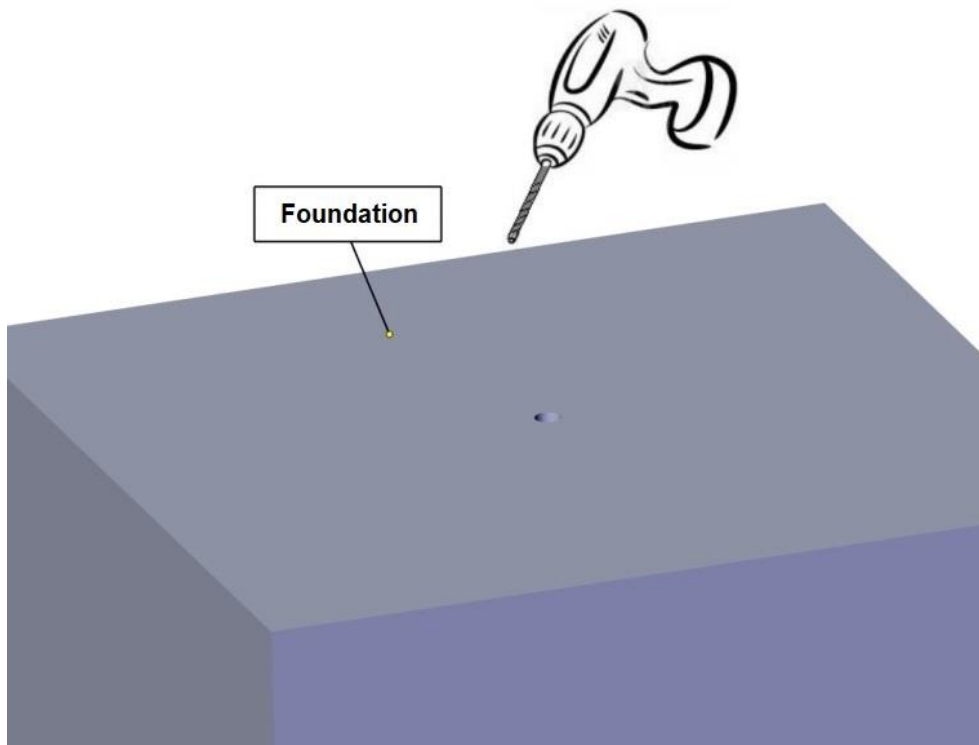
Fundament Foundation	Größe L x B x H Dimension L x W x H	Menge Quantity
A	800 x 800 x 400 mm	4x
B	400 x 400 x 400 mm	2x
C	1000 x 400 x 400 mm	2x

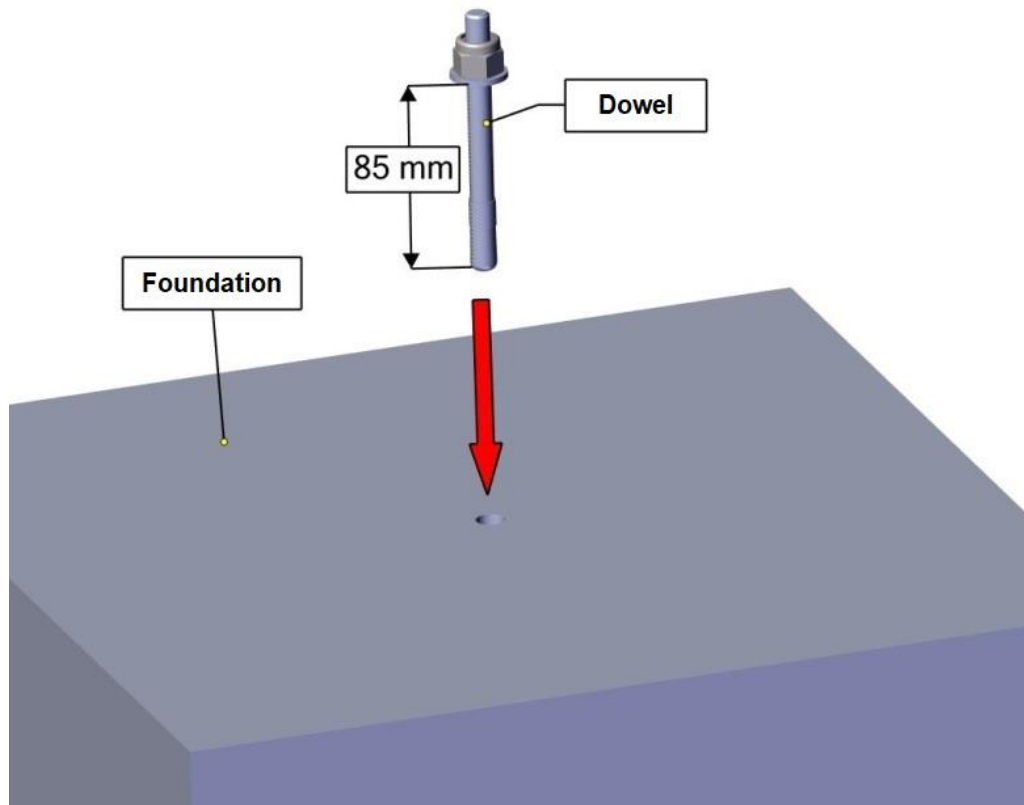


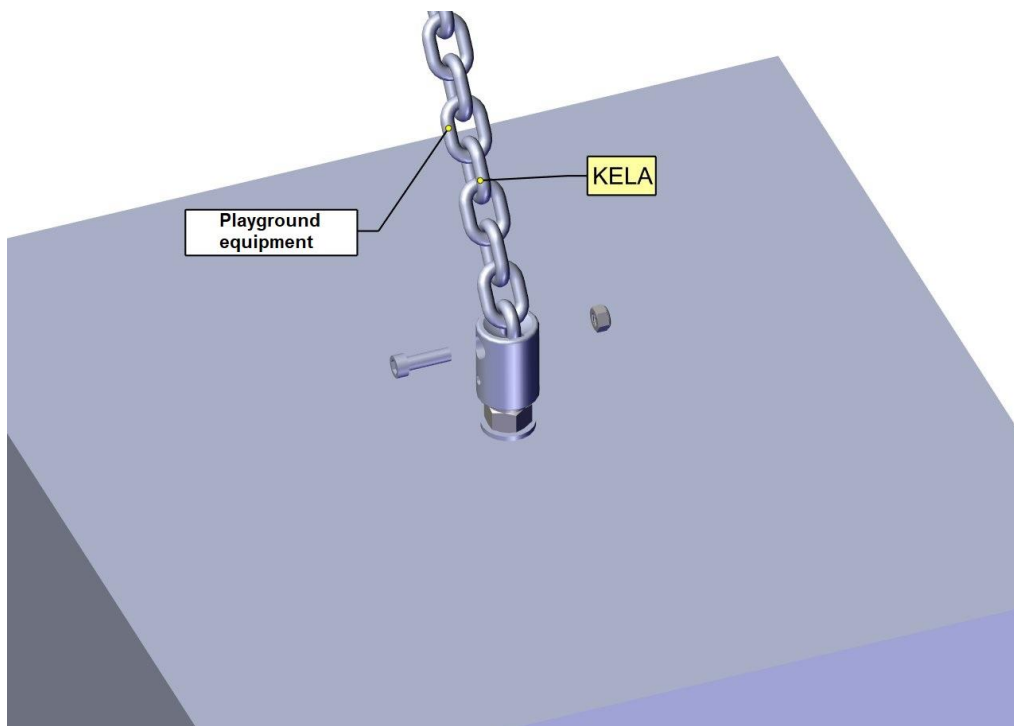
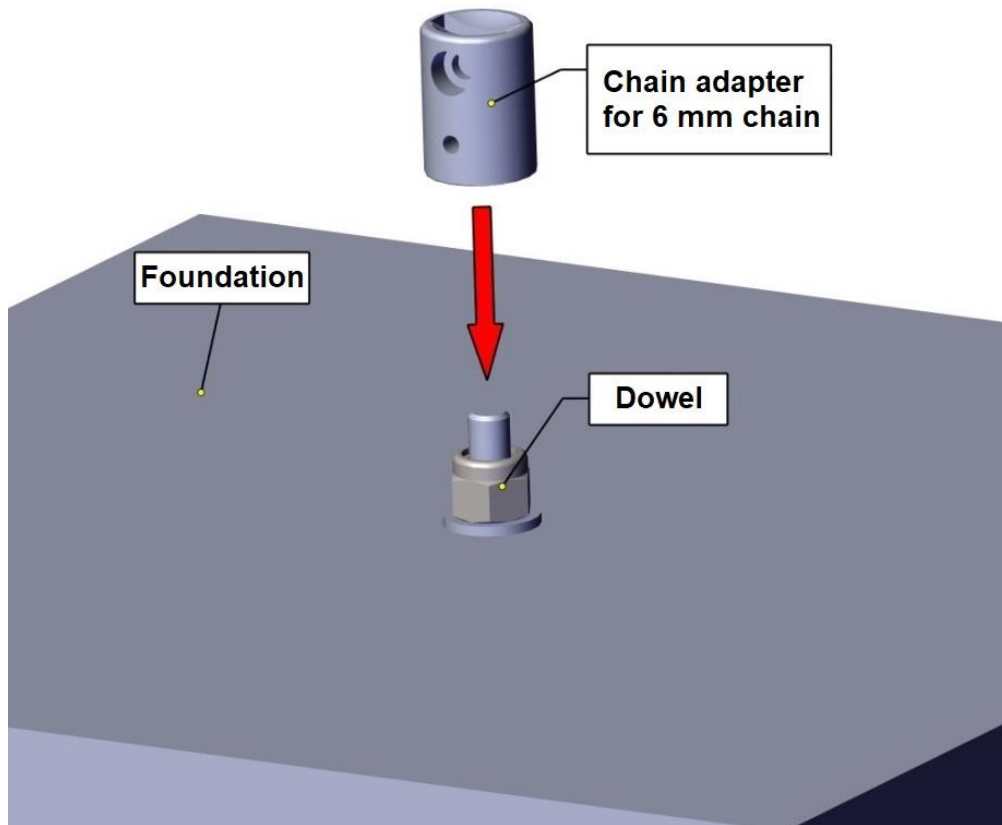


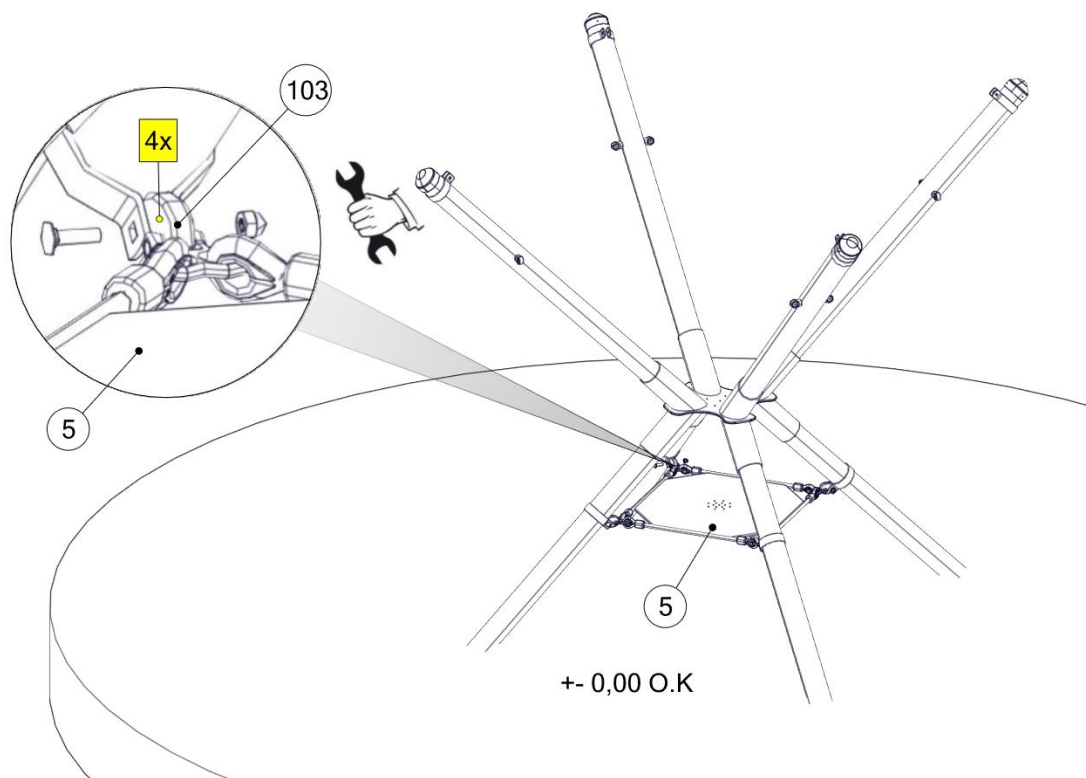
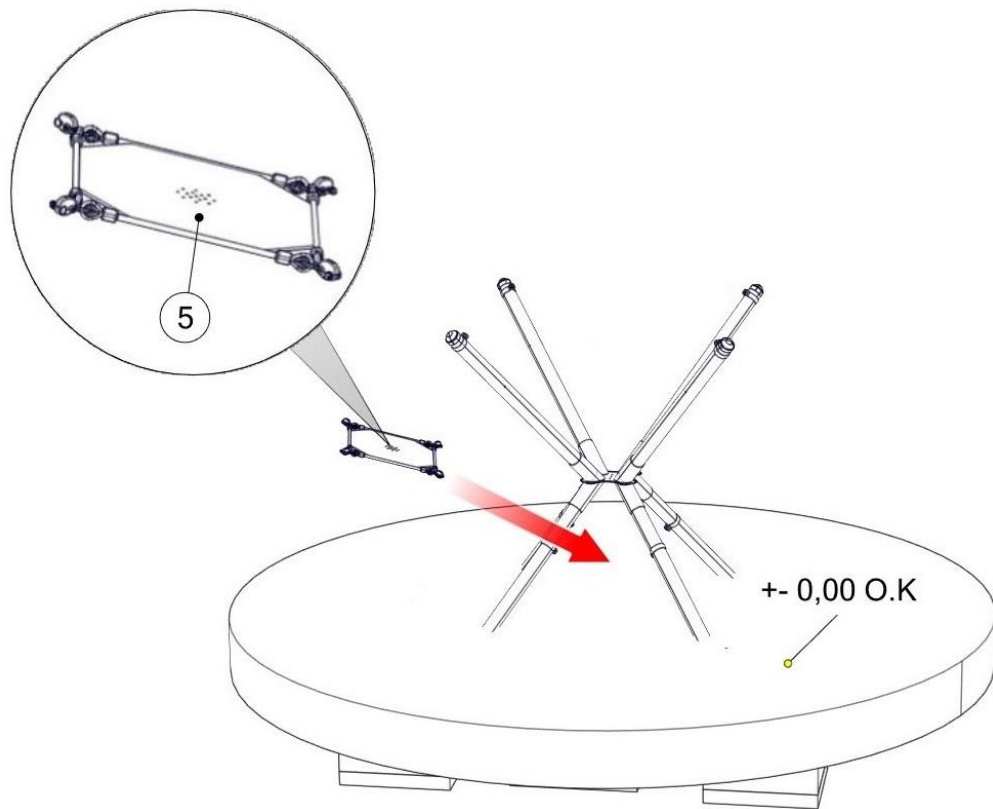


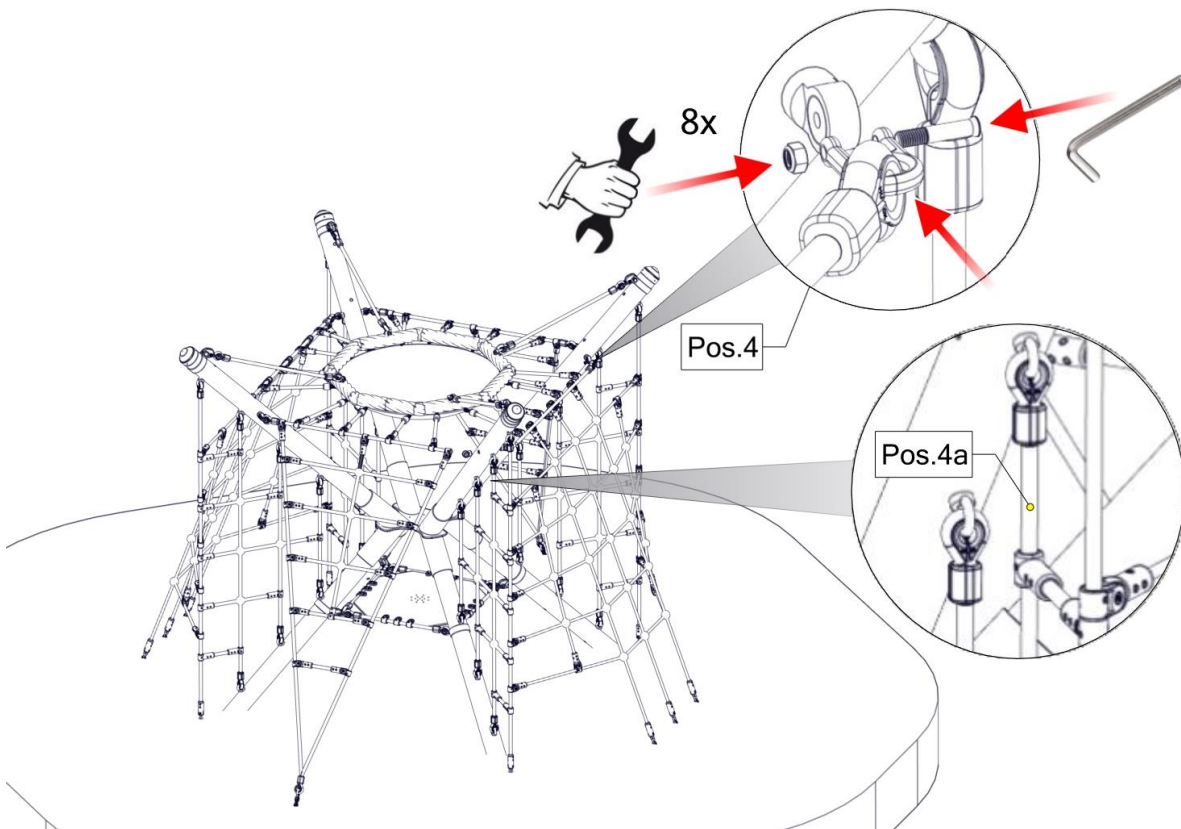
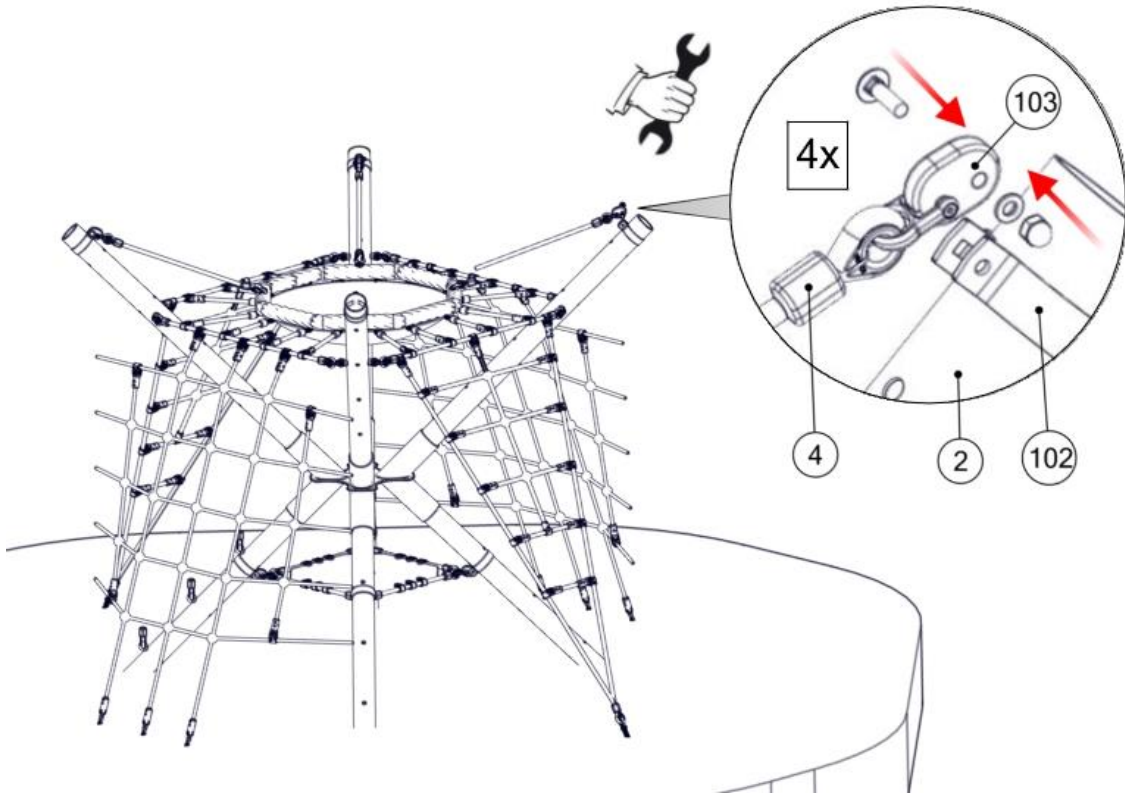
Fix anchor/plug Fastening for M12-15-30 /110 Pos 104+105

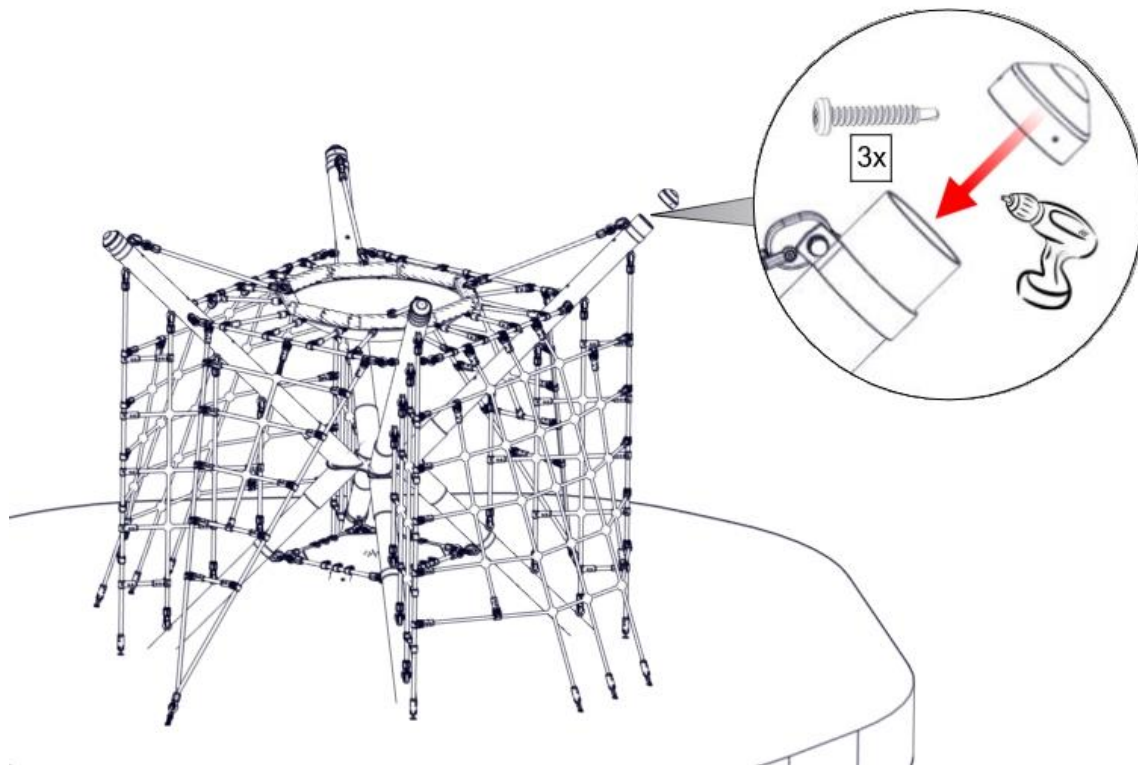
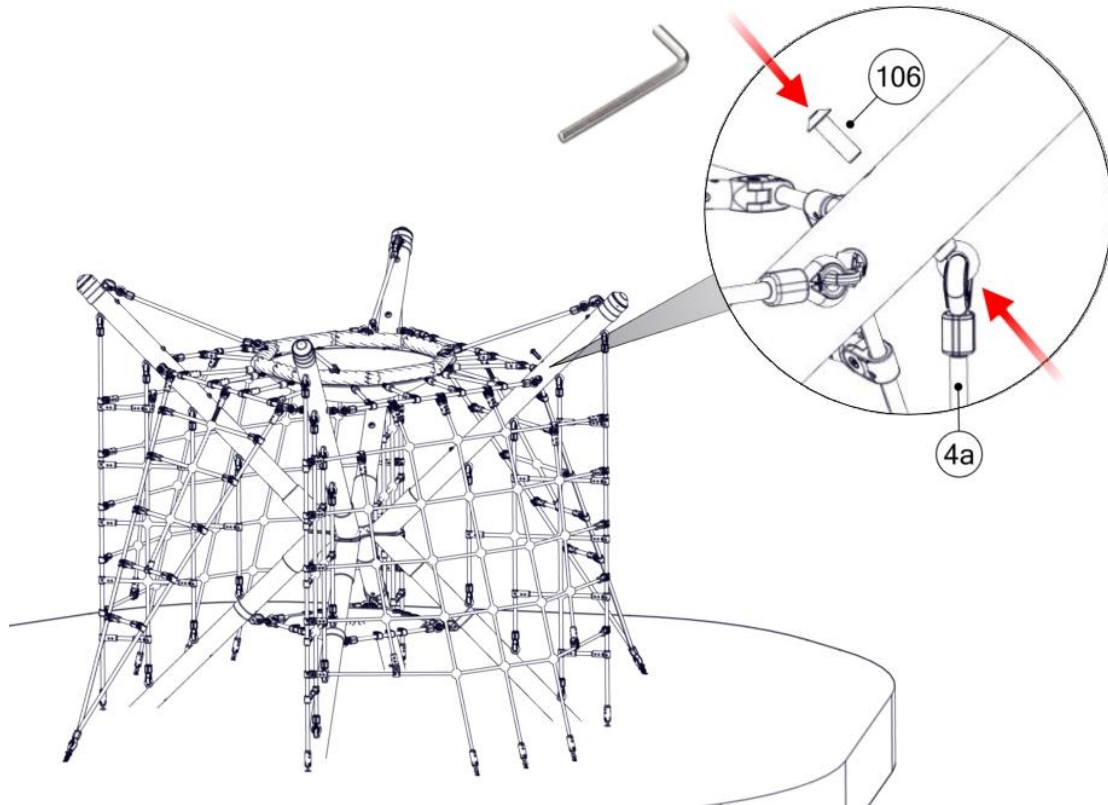


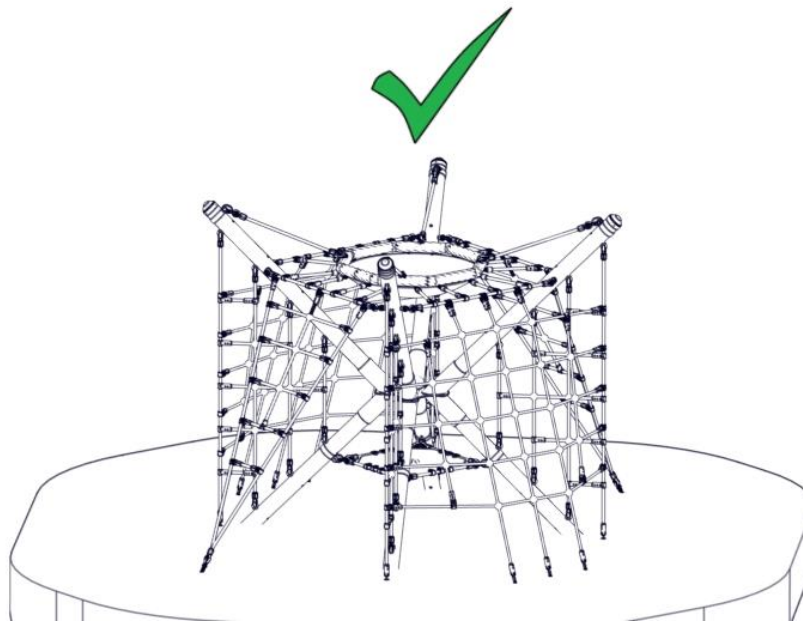












5 Post installation checks



Notice

If the equipment has not been installed safely, you must ensure that the public is prevented from using it.

5.1 Marking filler depth

- Labelling the posts to show the depth of material provided as fall protection (i.e. loose filler).

5.2 The equipment has not been installed safely in the following cases:

- Installation of equipment is not complete.
- The protective surface has not been installed yet.
- Appropriate maintenance work cannot guarantee operational safety.

5.3 Removal of all assembly aids

- Please make sure that all assembly aids have been removed from the playing area. The equipment must not be approved for use until this check has been carried out.

5.4 Information about inspection of the equipment before it is used for the first time

- There are no special inspection requirements to be met before the equipment is used for the first time.

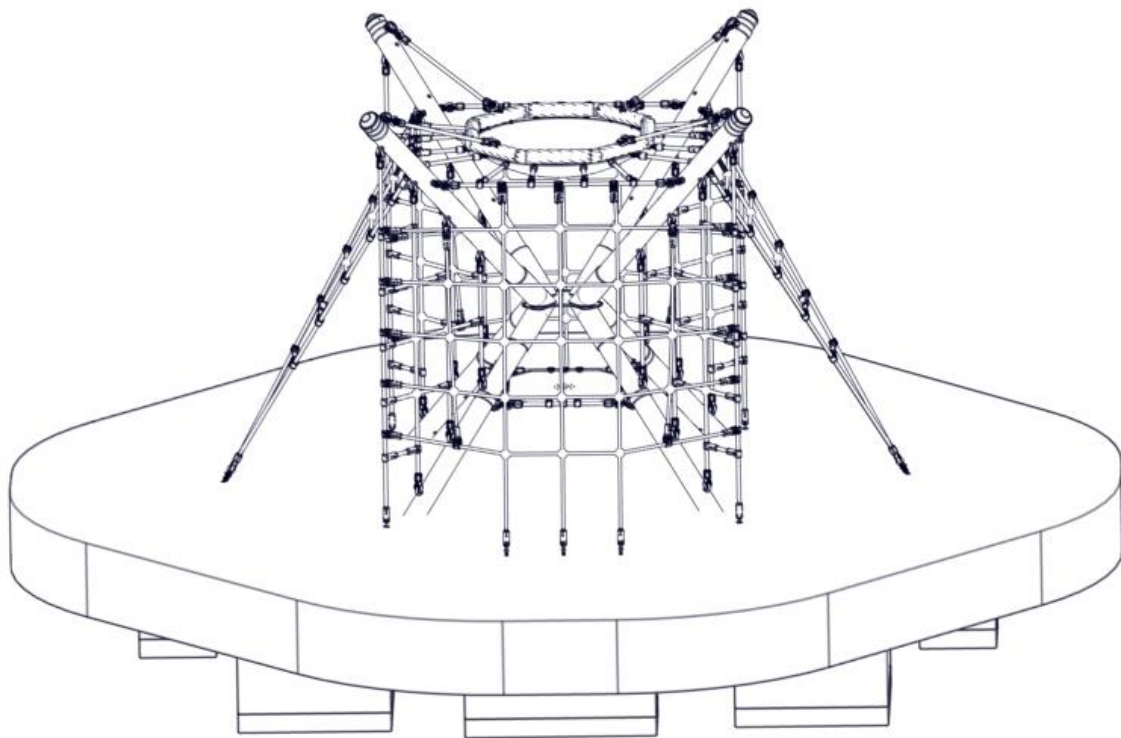
5.5 Retighten bolts

- After one week of play, please retighten all bolts again. Later upon respective maintenance.

B Maintenance instructions

Art.-No. 4597-12 Mikaado 2000

Attention! Only use the assembly instructions included in the scope of delivery for the assembly, installation and maintenance of the respective equipment!



Revisionshistorie

Revision 0 – -2024-11-05

Erste freigegebene Version FH

Wartungsanleitung

Alle Rechte vorbehalten

© Copyright 2024 Huck Seiltechnik GmbH

6 Introduction Maintenance

6.1 General informations

This equipment should be installed, inspected, maintained and operated in accordance with EN 1176-7 guidelines.



Please note: Providing any necessary repairs are carried out, a piece of play equipment that is inspected regularly cannot become so damaged that it is dangerous.

Any spare parts which may be required can be obtained directly from your supplier.



This equipment should only be assembled, maintained and repaired by **persons with the necessary expertise**.
A copy of the inspection record should be given to the operator, who must confirm receipt.

**This maintenance instruction is based on the standard
“EN 1176-1:2017”.**

7 General maintenance information

7.1 Maintenance intervals

Maintenance intervals are based on average use. Please note that more frequent inspections and/or maintenance are required if the play equipment is subject to intensive use.

7.2 Inspection frequency

The frequency of inspections must be based on actual use. Factors that affect frequency include vandalism, location (e.g. coastal proximity), air pollution and the age of the equipment.

7.3 Maintenance products and procedures

All nuts and bolts are hot-dip galvanised or stainless steel. One of the characteristics of stainless steel is that uncontrolled cold welding may occur when the nuts are tightened. To prevent this, it is necessary to spray the nuts and bolts with Teflon spray or another similar lubricant.

7.4 Spare parts

All spare parts must conform to the manufacturer's specifications.

7.5 Identifying spare parts

All spare parts are listed in the parts list. The parts list follows the installation requirements.

7.6 Special instructions for the disposal of individual equipment components

No special instructions are necessary.

7.7 Special measures during the break-in period

No later than 2 weeks after assembly, all screwed connections should be checked and tightened if necessary.

7.8 Maintenance of protective surfaces

Surfaces providing fall protection must also be maintained regularly. It is particularly important to maintain the correct level of loose surface material and add more if necessary.

7.9 Faults



Attention

Damages must be repaired as soon as they are detected. If serious defects that affect the safety cannot be repaired straight away, the playground item must be blocked with immediate effect.

7.10 Loose screws



Attention

Loose screws always cause quality problems and put safety at risk. Therefore, loose screws should always be tightened and checks carried out to ensure that there are no missing screws.

7.11 Preventing equipment use

Use of the equipment should be prevented in the event of incomplete installation, disassembly, maintenance, repairs and faults.

7.12 Claims/liability for faults (steel poles)

Steel posts and footings are covered by our guarantee if regular maintenance is carried out and recorded in writing.

Our general terms and conditions apply. Maintenance of steel poles first takes place after 3 years. The steel posts must be excavated down to the concrete foundations and checked for corrosion.

Zinc paint should be applied to any corroded areas and scratches.

Check ropes for abrasion, replace ropes where coating is damaged down the Steel inlet.

8 Maintenance timetable

8.1 Special advices

8.2 Maintenance interval

We strongly advise you to carry out inspections and maintenance work within the specified periods as use of the equipment, the weather and malicious vandalism cause wear and tear that compromises the safety and function of the equipment.

8.3 Maintenance intervals in the event of intensive use

Please note that more frequent inspections and/or maintenance are required if the play equipment is subject to intensive use.

8.4 Faults that compromise safety



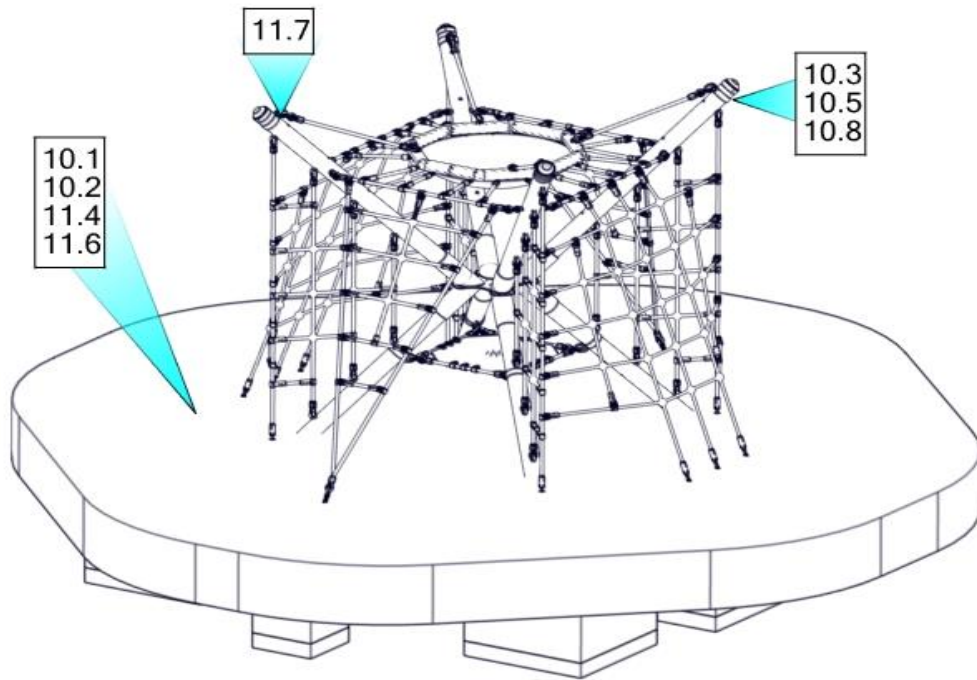
In the event of a fault that compromises safety, quick action must be taken. This may involve repairing it immediately or shutting down and dismantling the equipment.

8.5 Faults that compromise function



Faults that compromise function should also be repaired immediately. Such faults lower the value of the equipment to the user and encourage malicious vandalism, which may render the equipment less safe. Any damage should also be repaired immediately.

9 Regular maintenance



10 Monthly maintenance

- 10.1 Check the spaces between the equipment and the ground (clearance and height of fall).**
- 10.2 Check the ground surface of fall protection for hard objects and loose foundations.**
- 10.3 Check all connecting elements and fittings for wear and tear and tighten if necessary. Replace damaged or missing parts.**
- 10.4 Check that moving metal parts (joints, springs, etc.) move smoothly and are not worn. Replace if necessary. It is not necessary to lubricate joints as we only use maintenance-free metal roller bearings.**
- 10.5 Check all attachments such as chains, ropes, nets, etc. for damage and replace if necessary.**
- 10.6 Check rubber parts, sleeves, etc. for wear and tear or damage and replace if necessary.**
- 10.7 If necessary, remove excess padding material from the post footings due to danger of rotting.**
- 10.8 Check the surface of wooden parts for damage caused by the weather or external influences and mould. Repair or replace if necessary.**
- 10.9 Check the surface of plastic and metal parts, e.g. slides, for damage and replace if necessary.**

11 Quarterly maintenance

- 11.1 Detailed inspection of the operation and stability of the equipment paying particular attention to any wear and tear.**
- 11.2 Tighten all forms of attachment.**
- 11.3 Repaint and retreat surfaces.**
- 11.4 Maintenance of fall protection surfaces.**
- 11.5 Lubrication of joints.**
- 11.6 Check height of fall protection material and top up with loose filler if necessary. If the posts are labelled, top up to the mark.**
- 11.7 Retighten all bolts.**

12 Half yearly maintenance

- 12.1 The stability of supporting posts, supports, foundations etc. has to be checked. The safety level of the entire system has to be checked after repairs have been carried out or additional system components have been installed or replaced.**



Annual Maintenance

13 Annual maintenance

13.1 Ascertaining that the equipment, foundations and surfaces are safe for operation.

13.2 In particular, the equipment should be checked for decay and corrosion. It may be necessary to dig out or excavate certain components in order to do so. Zinc paint should be applied to corroded areas and scratches.



The equipment must be inspected by someone **with the necessary expertise** in strict compliance with the instructions issued by Huck Seiltechnik GmbH.

A copy of the inspection record should be given to the operator, who must confirm receipt.

14 Maintenance printout

Name of item: Mikaado 2000 _____ / Art. No. 4597-12 _____

Location: _____

Customer or operator: _____
 (Town, Town council, Kindergarten)

Date of inspection	Inspector	O.K.	Accessible	Barriered	Defects	Repaired by	Date

Please copy and return once a year after main inspection has been carried out to the manufacturer by Telefax +49(0)6443/ 83 11 79!

Place the confirmation form in the play equipment files.

15 Hand over document



After the installation of the equipment pass the installation and maintenance documents to the operator. The operator has to receive the hand over documents. The complete filled and signed hand over document should be sent to the supplier.

Art.-No.: 4597-12
Type of item: Mikasdo 2000
Serial number: _____

Customer or operator (Town, Town council, Kindergarten, etc.):

Competent person in charge:

Installation company (address):

Responsible assistant (assembler):

Received the complete assembly instructions, maintenance instructions and maintenance printout.

(Signature of operator) (Signature of installation company)
(Stamp)

Date: _____