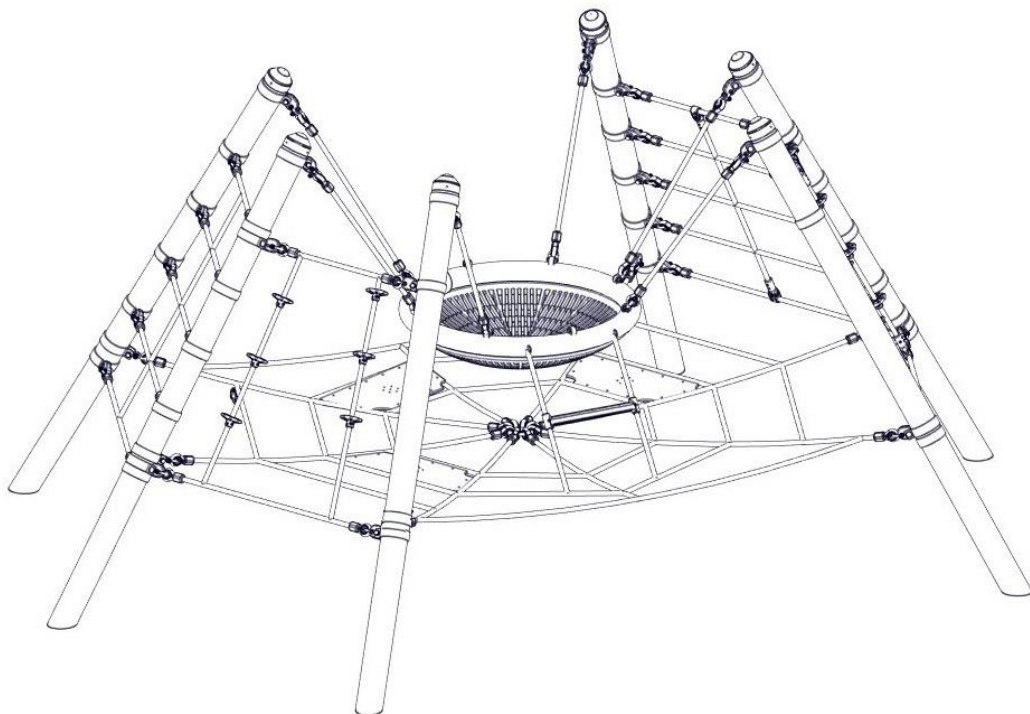


## **A Assembly instruction** **Bird's Nest Spider, Art. 4597-10**

**Attention! Only use the assembly instructions included in the scope of delivery for the assembly, installation and maintenance of the respective equipment!**



Operator: \_\_\_\_\_

Location: \_\_\_\_\_

**Revision history**

First allowed version

Revision 0 – 2022-30-03 FH

Assembly instructions

Revision 0 – 2022-30-03

All Rights Reserved

© Copyright 2022 Huck Seiltechnik GmbH

---

## Contents

|          |  |           |
|----------|--|-----------|
| <b>A</b> | <b>Assembly instruction Bird's Nest Spider, Art. 4597-10</b> .....     | <b>1</b>  |
| 1        | Introduction Assembling .....  | 4         |
| 2        | Datasheet Bird's Nest Spider, Art. 4597-10 .....                       | 6         |
| 3        | Delivery contents (parts list with part numbers) .....                 | 8         |
| 4        | Install instructions .....   | 13        |
| 5        | Post installation checks .....   | 24        |
| <b>B</b> | <b>Maintenance instructions Bird's Nest Spider, Art. 4597-10</b> ..... | <b>25</b> |
| 6        | Introduction Maintenance .....   | 27        |
| 7        | General maintenance information .....                                  | 28        |
| 8        | Maintenance timetable .....  | 30        |
| 9        | Regular maintenanc .....   | 31        |
| 10       | Monthly maintenance .....  | 32        |
| 11       | Quarterly maintenance .....  | 32        |
| 12       | Half yearly maintenance .....  | 33        |
| 13       | Annual maintenance .....   | 33        |
| 14       | Maintenance printout .....   | 35        |
| 15       | Hand over document .....   | 37        |

## List of Tables

|  |   |
|--|---|
| Table 3-1: Delivery contents, in words .....   | 8 |
| Table 3-2: Delivery contents, in symbols ..... | 9 |

## 1 Introduction Assembling

### 1.1 General information

This equipment should be installed, inspected, maintained and operated in accordance with EN1176-7 guidelines.

**Before installation work commences, please check that you have all of the equipment and fixation components in the parts list provided (see Tables 3-1 and 3-2).**

Any spare parts that may be required can be obtained directly from your supplier.



**Attention**

Following installation, complete assembly instructions, maintenance instructions and a maintenance record must be sent to the operator who must confirm receipt in writing. See the last page of this document.



**Attention**

All nuts and bolts are hot-dip galvanised or stainless steel.

One of the characteristics of stainless steel is that uncontrolled cold welding may occur when the nuts are tightened. To prevent this, it is necessary to spray the nuts and bolts with Teflon spray or another similar lubricant.

**We hereby confirm that this play equipment has been tested and certified in accordance with the play equipment standard EN 1176-1.**

## **Drawings / Views**

All optical drawings are showing only the measurements/dimensions and are no mandatory technical views of the complete item.

We reserve the right to change technical details of our articles which are serving for the further development of our articles and are reasonable for the customer.

## **Measurement tolerances**

Because of the properties and characteristics of the components, minor measurement tolerances compared to the indication on the sketches are possible.

This concerns all shown measurements except the foundation measurements resp. measurements below upper edge ground level/play area.

## 2 Datasheet: Bird's Nest Spider, article 4597-10

1. Space requirement 4.10 m x 2.90 m

Safety zone 6.30 m x 5.30 m

height of fall 1.46 m

Equipment high: 1,85 m

Fallprotection area: 28 m<sup>2</sup>

2. Required safety surface:

| Surface material              | Description mm                        | Minimum thickness of layer mm | Maximum height of fall mm |
|-------------------------------|---------------------------------------|-------------------------------|---------------------------|
| Topsoil grass                 |                                       |                               | <= 1000*                  |
| <b>Chipped bark</b>           | <b>20 – 80 grain size</b>             | <b>300/400</b>                | <b>&lt;= 2000/3000</b>    |
| <b>Wood chippings</b>         | <b>5 – 30 grain size</b>              | <b>300/400</b>                | <b>&lt;= 2000/3000</b>    |
| <b>Sand</b>                   | <b>0.2 – 2 grain size</b>             | <b>300/400</b>                | <b>&lt;= 2000/3000</b>    |
| <b>Gravel</b>                 | <b>2 – 8 grain size</b>               | <b>300/400</b>                | <b>&lt;= 2000/3000</b>    |
| <b>Other ground materials</b> | <b>As recommended by manufacturer</b> |                               |                           |

3. Name and overall dimension of the largest component:

6 Steel posts 3.20 m long, Ø 101,6 x 5 mm

4. Name and weight of the heaviest component:

1x carton approx 228kg

5. Intended age group: 3 years and over

6. **Area to be excavated:**

**6 x 1.20 m long x 1.20 m wide, total depth 1.10 m including 10 cm drainage**

**Foundation-sized:**

**6x 1.20 m long x 1.20 m wide x 0.60 m depth**

Concrete requirements: 5,2 m<sup>3</sup>

Assembly time, once foundations complete: approx. 5 hour.

Required assistance: 2 person.

7. Any spare parts which may be required can be obtained directly from your supplier.

8. **We hereby confirm that this item of play equipment has been tested and certified in accordance with the play equipment standard EN 1176.**



Attention

**Foundation edges must be rounded off**

**Sizes of foundations are designed for soils class "4-5" (natural ground).**

**Soil class 3:** Non-cohesive to low-cohesive plasticity, sand, gravel and sand-gravel-mixtures, with very low portion of stones portion of stones (portion > 30% with bigger dia-meter of 63 mm grain size)

**Soil class 4:** soft to medium plasticity, interleave bound, with minor portion of stone (portion < 30% with bigger diameter of 63 mm grain size)

**Soil class 5:** **Soil class 5:** ground with soil class 3 and 4 with big portion of stones (portion > 30% with bigger diameter of 63 mm grain size)

**IN CASE OF SANDY AND SOFT SOILS, THE SURFACE DIMENSIONS OF FOUNDATIONS HAVE TO BE ENLARGED FOR ABOUT 50%!.**

**Required tools:** wheel excavator or similar with a lifting height of approx. 4 m height ladder approx. 4 m long, spirit level, various wrenches and screwdriver.

**Any spare parts which may be required can be obtained directly from your supplier or from Fa.Huck Seiltechnik GmbH**

<sup>12.</sup> **Adress:** Huck Seiltechnik GmbH  
Dillerberg 3  
D-35614 Aßlar/Berghausen  
Tel. +49 6443 8311-0  
Fax +49 6443 8311-79

**We hereby confirm that this item of play equipment has been tested and certified in accordance with the play equipment standard EN 1176.**

### 3 Delivery contents (parts list with part numbers)

#### 3.1 In words

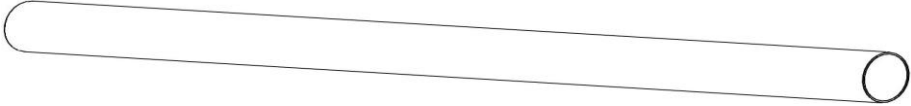
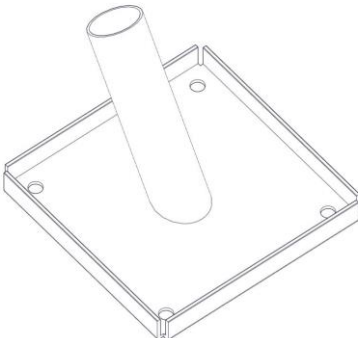

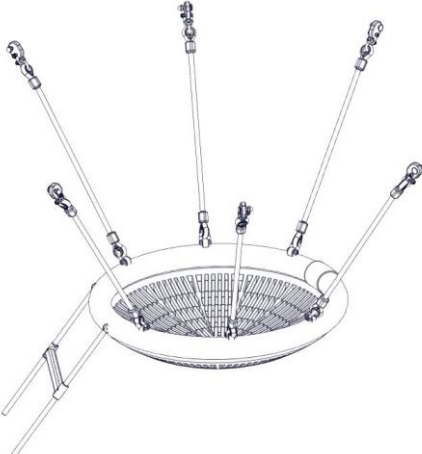
Table 3-1: Delivery contents, in words

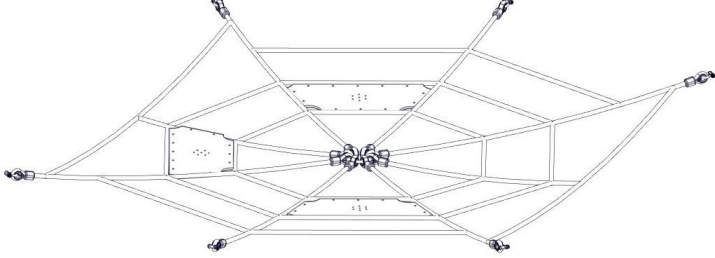
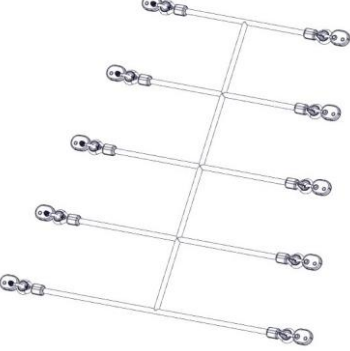
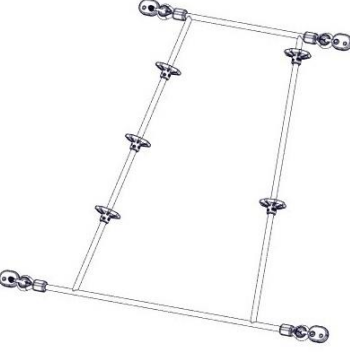
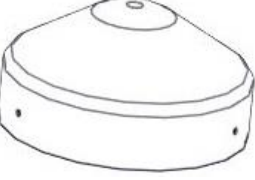
| Pos.      | Quantity | Element / Description                             | Size                      | O.K. | Missing |
|-----------|----------|---|---------------------------|------|---------|
| 1         | 6        | Steel pots  | Ø 101,6 x 5 mm,<br>3,18 m |      |         |
| 2         | 6        | ground anchor                                     | 60°, 500 x 500            |      |         |
| 3         | 38       | pipe clamps                                       | for Ø 101,6 mm            |      |         |
| 4         | 1        | bird nest basket with ladder                      |                           |      |         |
| 5         | 1        | Spider web  |                           |      |         |
| 6         | 2        | climbing net                                      |                           |      |         |
| 7         | 2        | rope with climbing aids                           |                           |      |         |
| 8         | 6        | red covering caps                                 | for Ø 101,6 mm            |      |         |
| 100       | 2        | flathead sleeves                                  | M6 x 25 mm                |      |         |
| 101       | 2        | flat head screw                                   | M6 x 19 mm                |      |         |
| 102       | 18       | Self-tapping screw                                | 5,5 x 25 mm               |      |         |
| <b>DL</b> |          | <b>Roof battens (on site /<br/>from customer)</b> |                           |      |         |

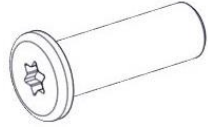
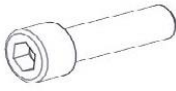




### 3.2 In symbols

Table 3-2: Delivery contents, in symbols

| Pos. | Stückzahl | Symbol  |
|------|-----------|---|
| 1    | 6         |  <p data-bbox="874 622 1023 656">Steel pots</p>                       |
| 2    | 6         |  <p data-bbox="842 1070 1054 1104">ground anchor</p>                 |
| 3    | 38        |  <p data-bbox="858 1417 1034 1451">pipe clamps</p>                  |
| 4    | 1         |  <p data-bbox="754 1966 1153 2000">bird nest basket with ladder</p> |

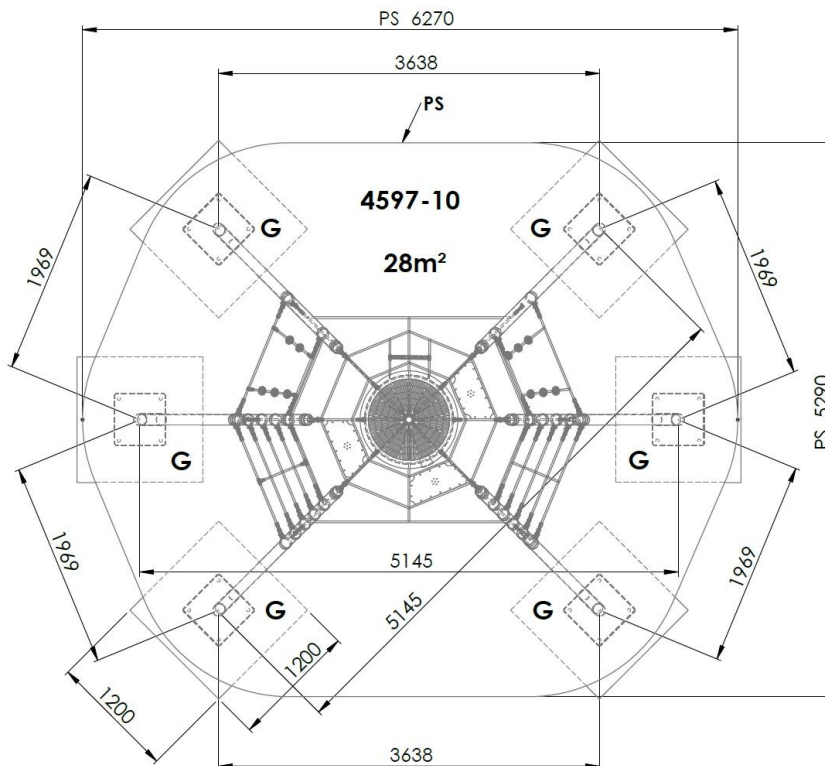
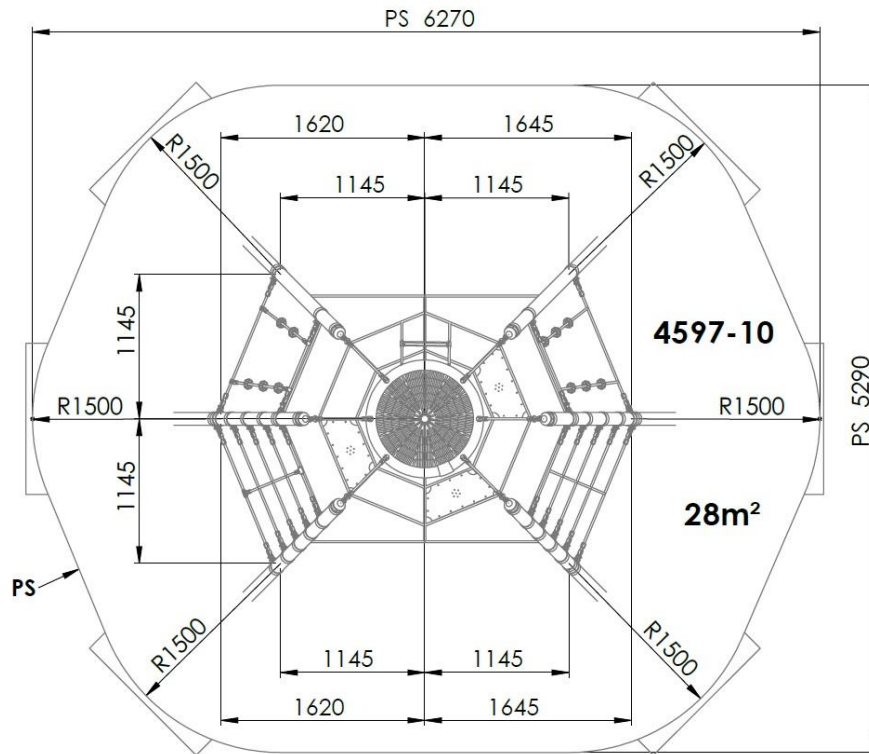
| Pos. | Stückzahl | Symbol   |
|------|-----------|--|
| 5    | 1         |  <p data-bbox="794 770 954 801">Spider web</p>                   |
| 6    | 2         |  <p data-bbox="794 1200 954 1232">climbing net</p>              |
| 7    | 2         |  <p data-bbox="715 1630 1034 1662">rope with climbing aids</p> |
| 8    | 6         |  <p data-bbox="746 1877 1002 1908">red covering caps</p>       |

| Pos.      | Stückzahl | Symbol   |
|-----------|-----------|--|
| 100       | 2         | <br>flathead sleeves   |
| 101       | 2         | <br>flat head screw    |
| 102       | 18        | <br>Self-tapping screw |
| <b>DL</b> |           | <b>Roof battens (on site / from customer)</b>  |

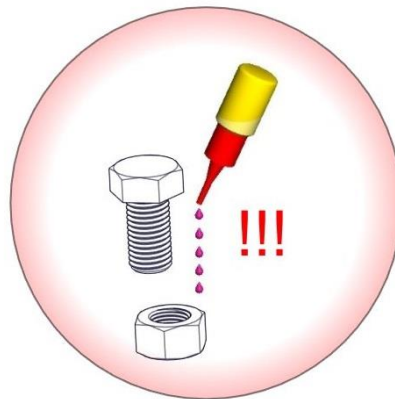
|   |  |
|---|--|
| <b>AB</b>   | The legally prescribed setting periods must be observed!   |
| <b>D</b>  | C25/30 concrete (for foundations)<br>Q.ty required:5,3 m <sup>3</sup>  |
| <b>DL</b>   | Roof battens for aligning the posts<br>(on site/ by the customer)  |
| <b>F</b>  | Fall protection  |
| <b>PS</b>   | Minimum space including security area ~ 28,0 m <sup>2</sup>  |
| <b>O.K</b>  | Upper edge of playing level / + -0.00 mm   |
| <b>G</b>  | Drainage layer   |
|  | <p><b>Sizes of foundations are designed for soils class“4-5” (natural ground).</b></p> <p><b>Soil class 3: Non-cohesive to low-cohesive plasticity, sand, gravel and sand-gravel-mixtures, with very low portion of stones portion of stones (portion &gt; 30% with bigger diameter of 63 mm grain size)</b></p> <p><b>Soil class 4: soft to medium plasticity, interleave bound, with minor portion of stone (portion &lt; 30% with bigger diameter of 63 mm grain size)</b></p> <p><b>Soil class 5: ground with soil class 3 and 4 with big portion of stones (portion &gt; 30% with bigger diameter of 63 mm grain size)</b></p> <p><b>IN CASE OF SANDY AND SOFT SOILS, THE SURFACE DIMENSIONS OF FOUNDATIONS HAVE TO BE ENLARGED FOR ABOUT 50%!.</b></p> |

See drawings for details of shortcuts

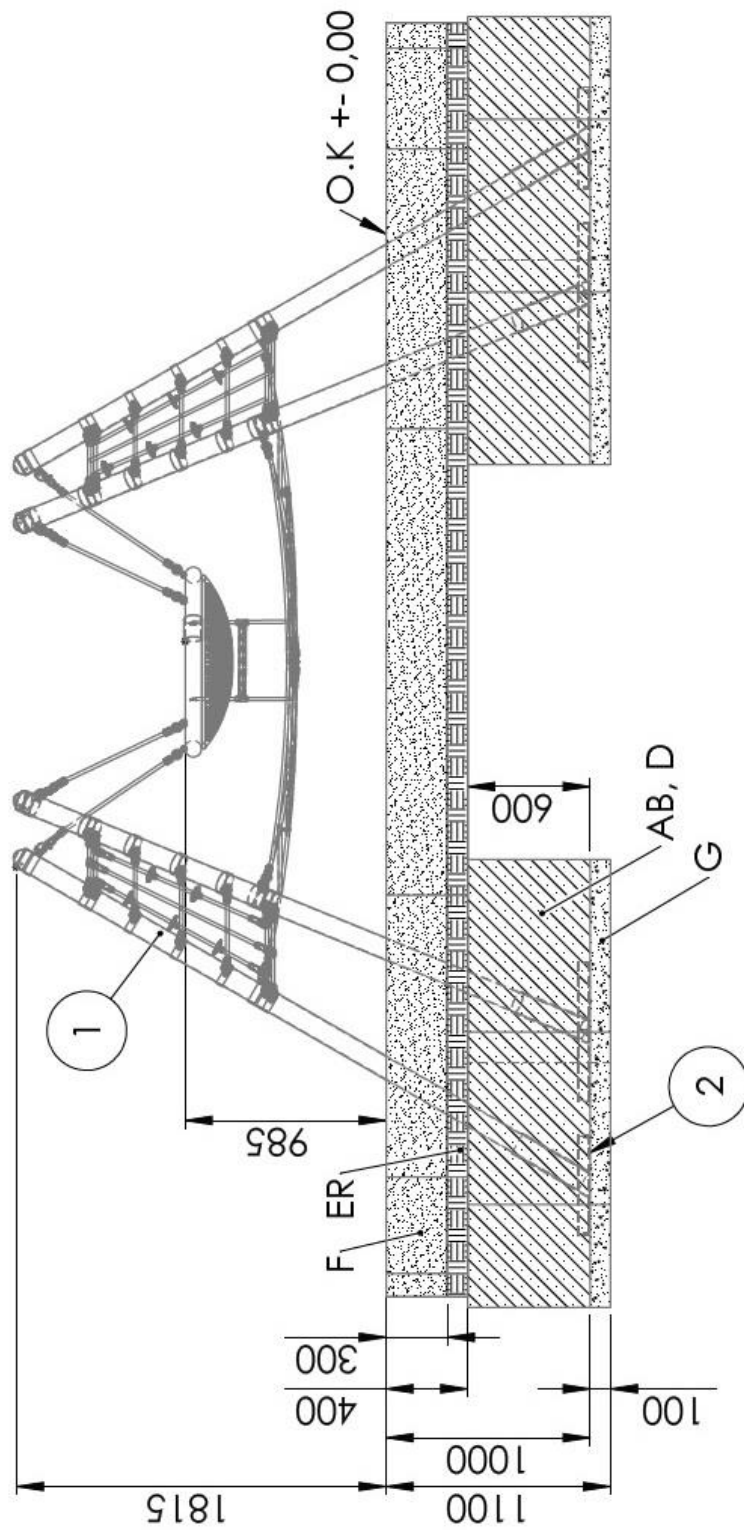
## 4 Install instructions

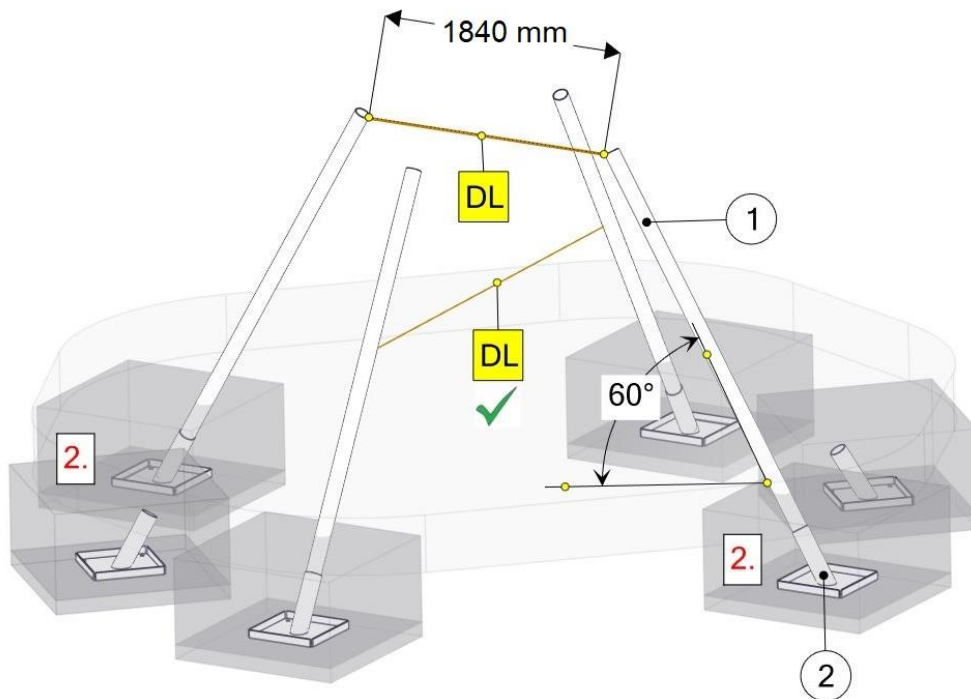
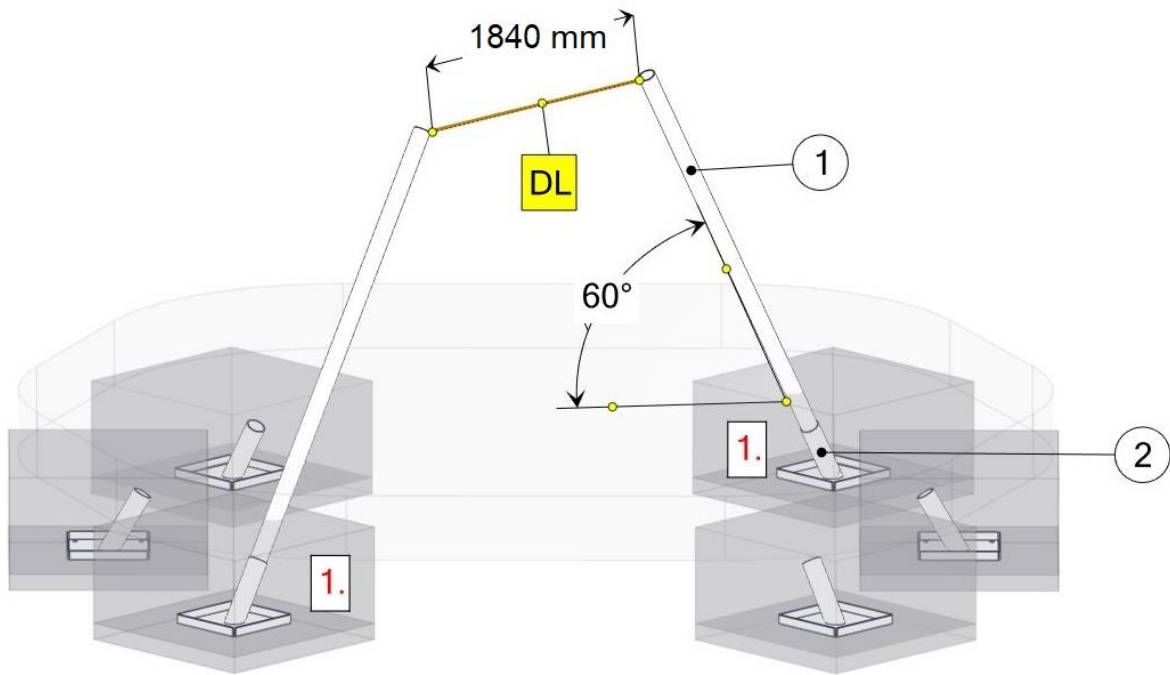


## **Screw lock!**

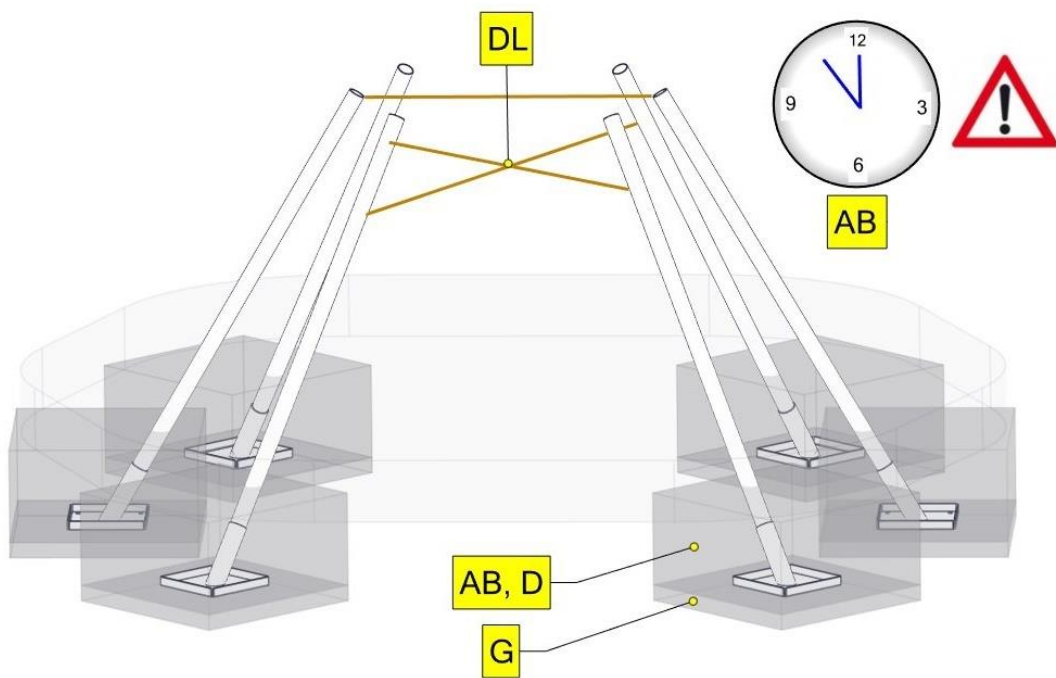
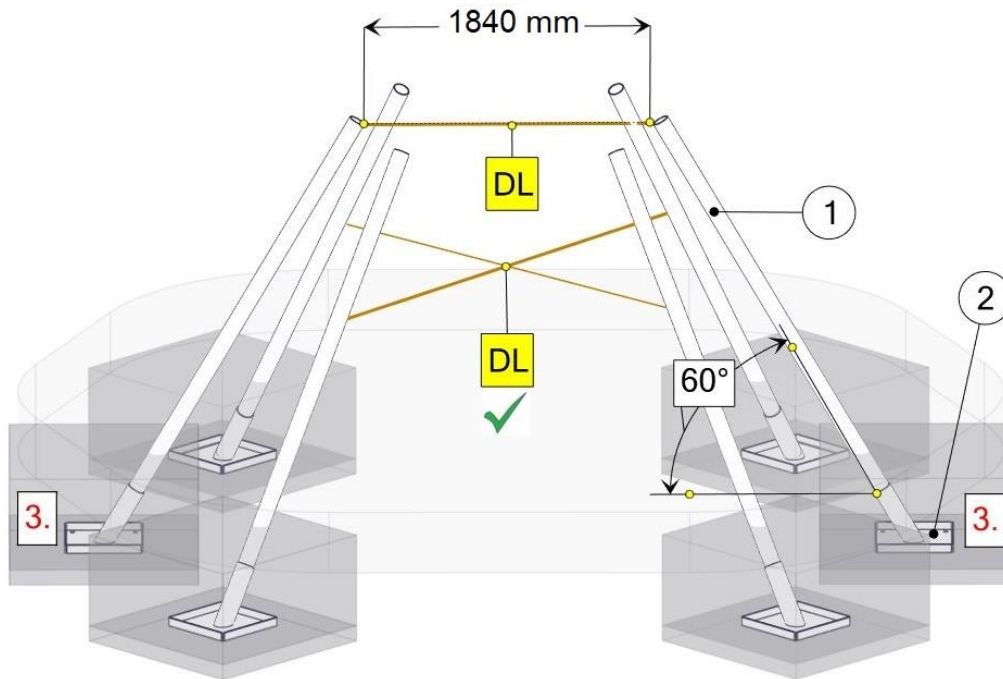


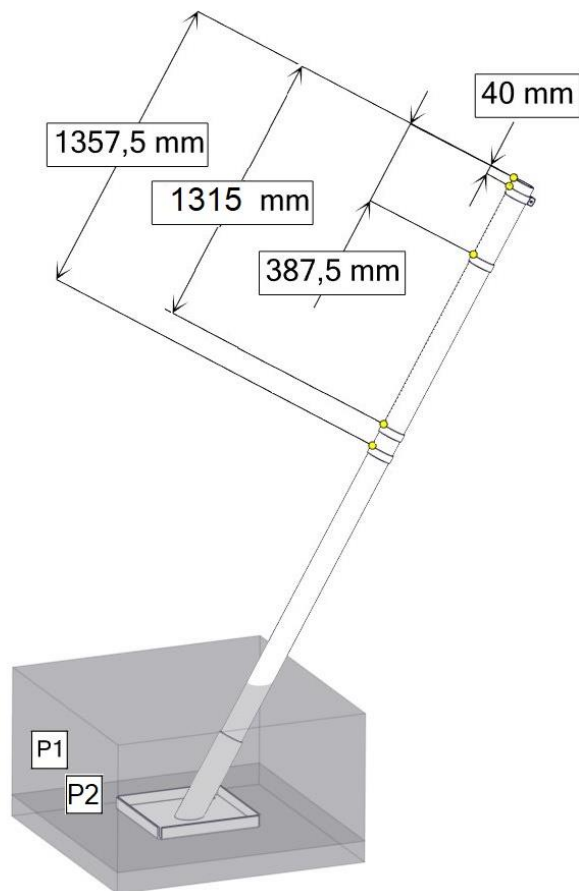
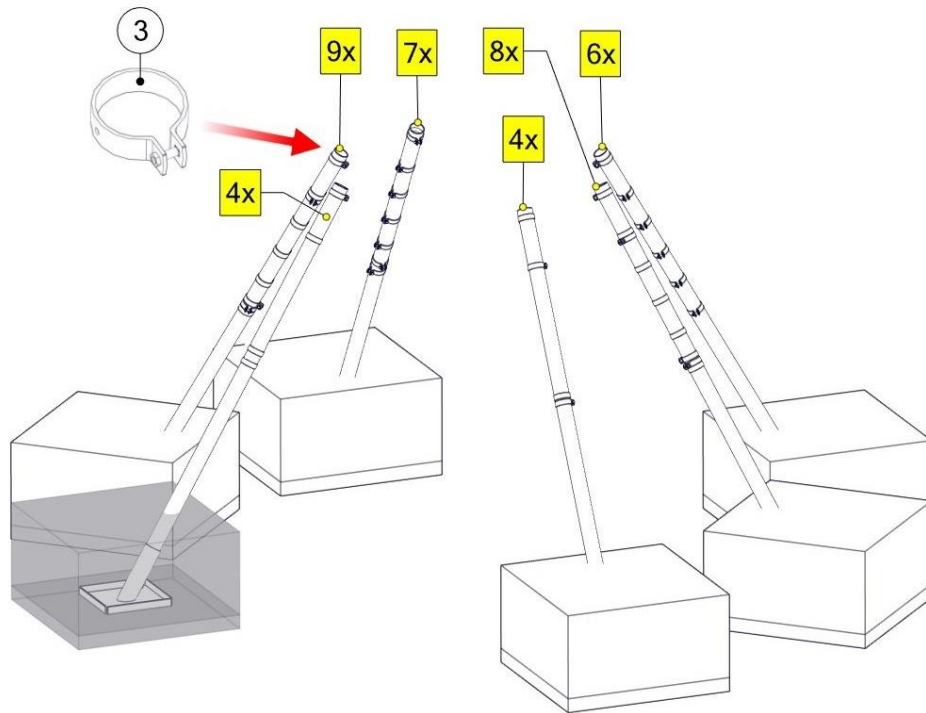
**All screws, nuts (except stop nuts) and sleeves must be  
and sleeves must be secured with Loctite!  
(e.g. Torx sleeves M12 x 40 with at least 5 drops!)**

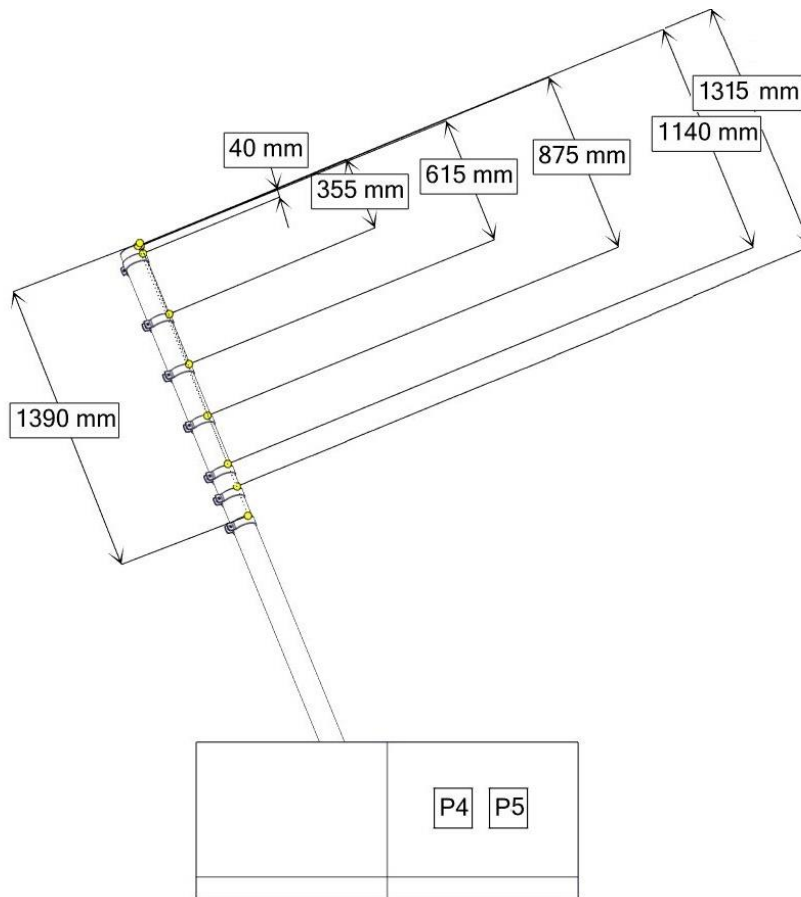
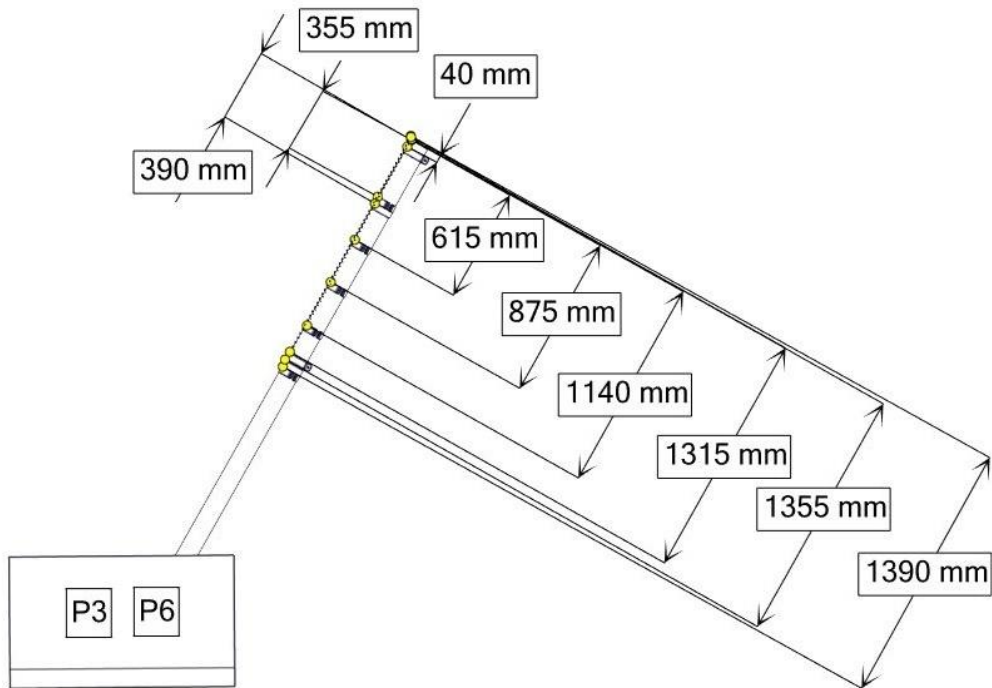


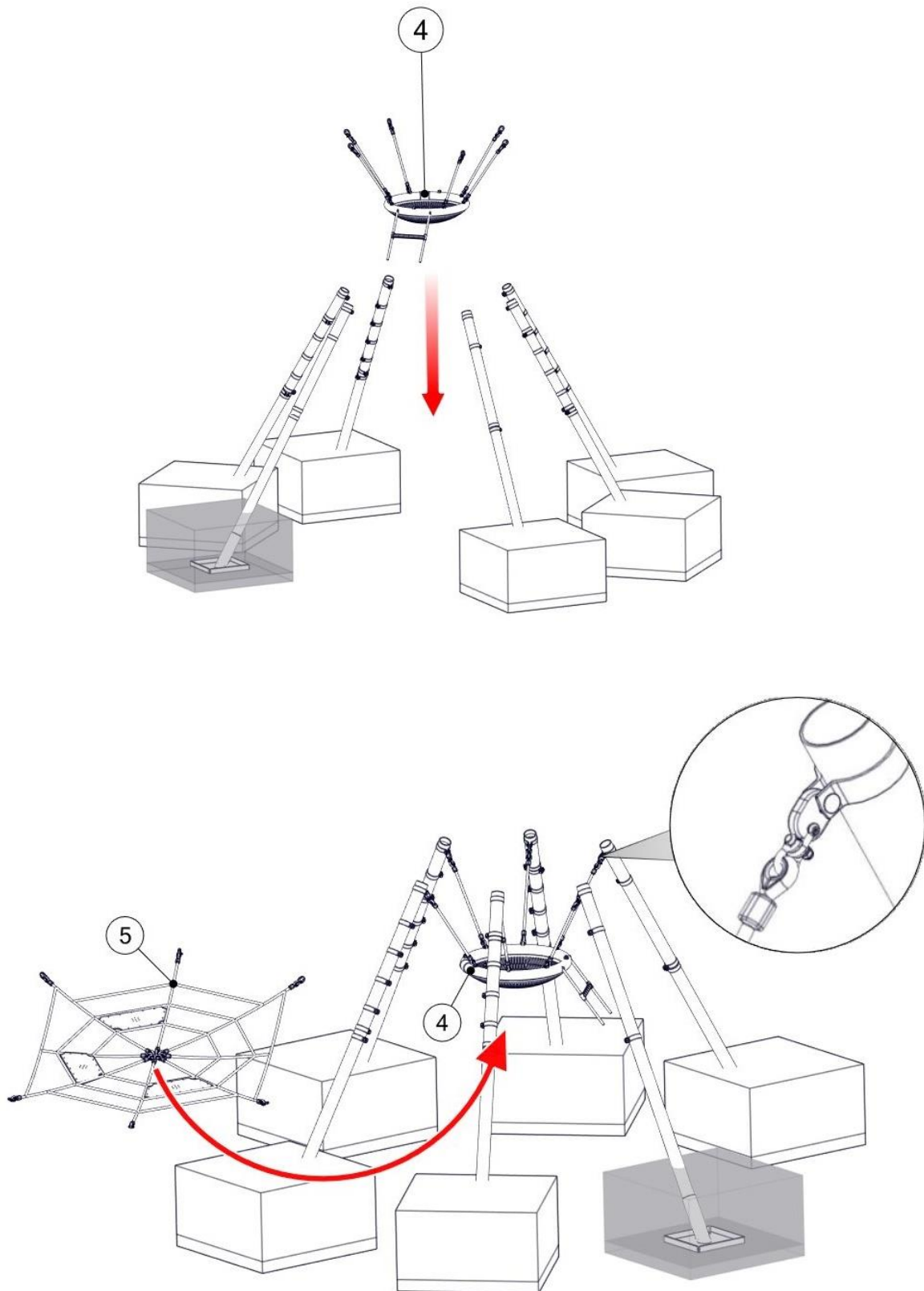


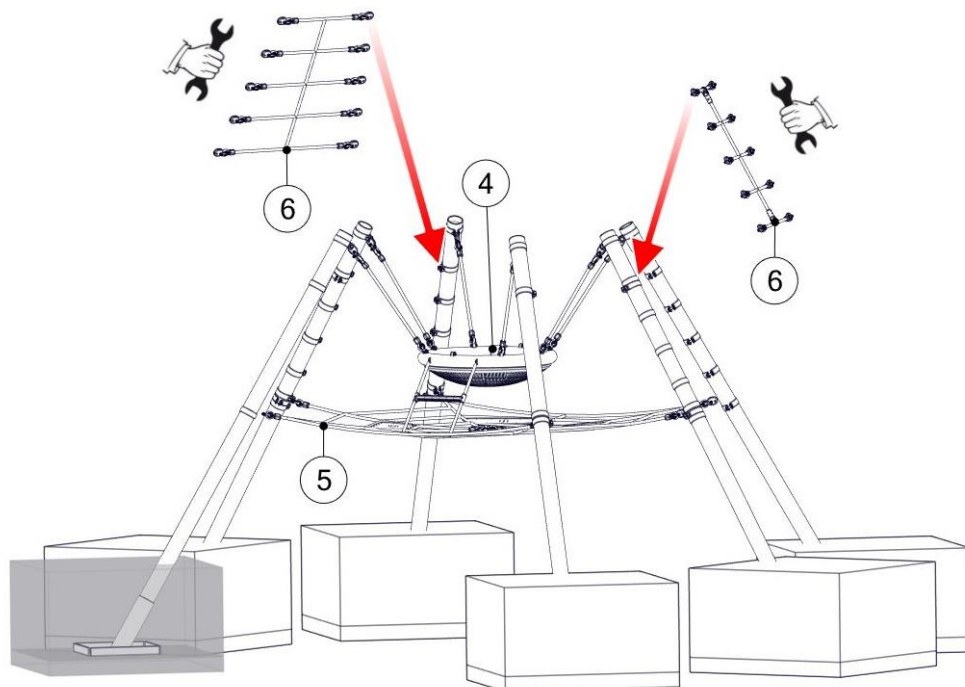
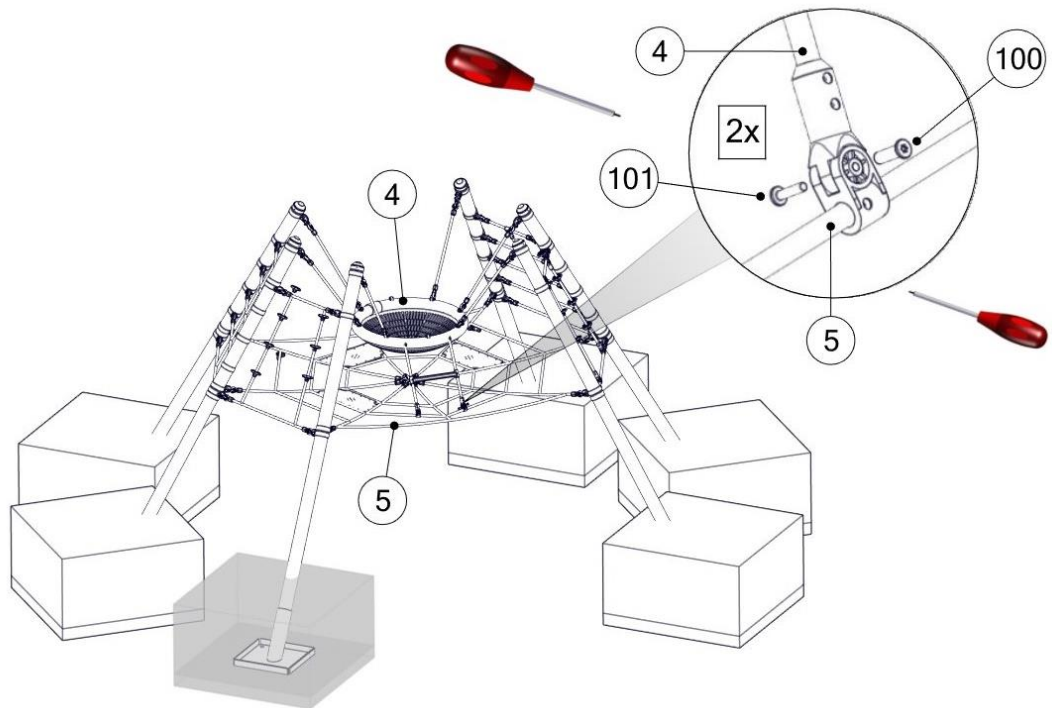


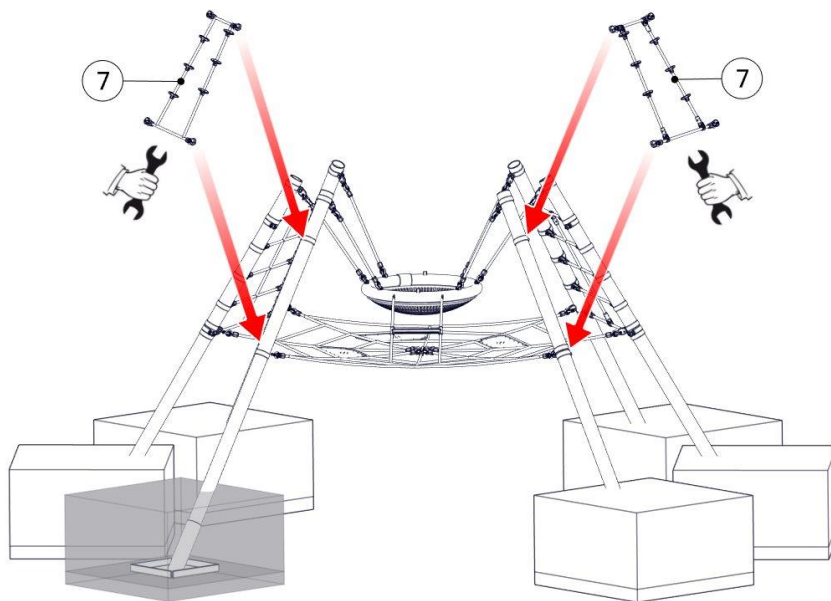
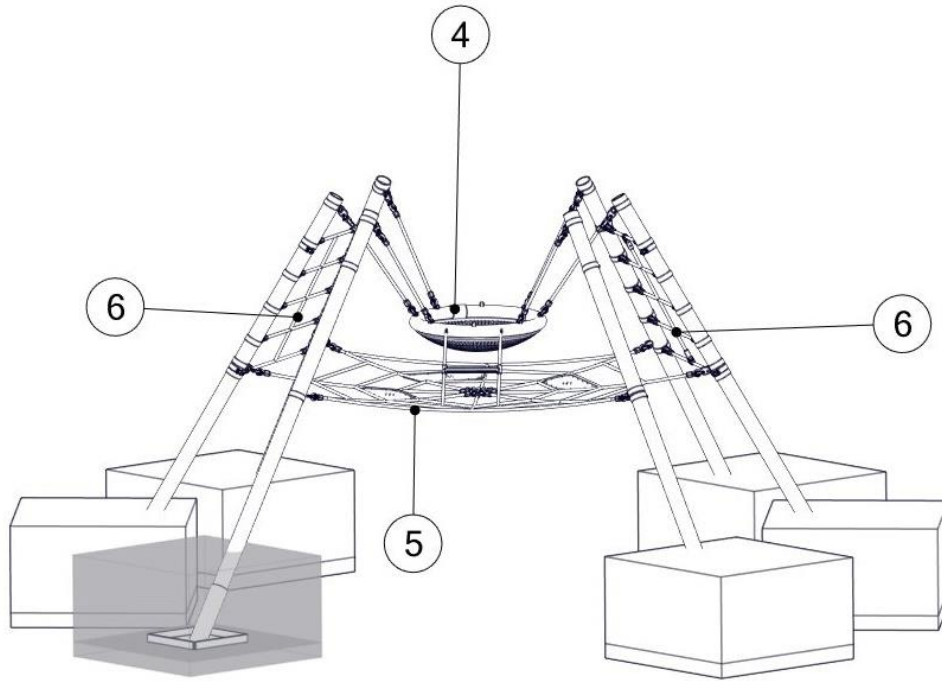


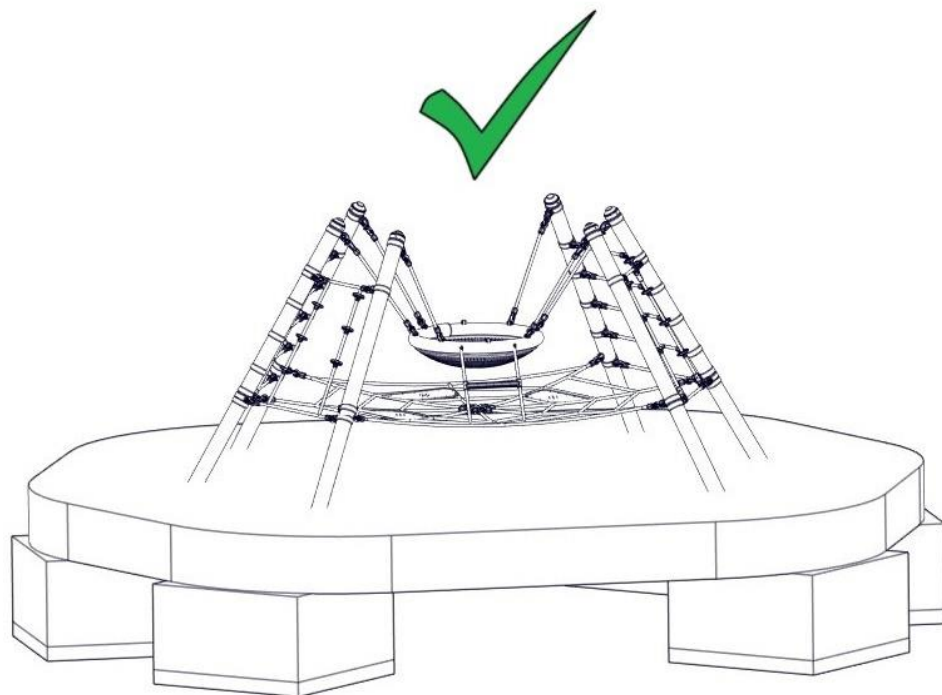
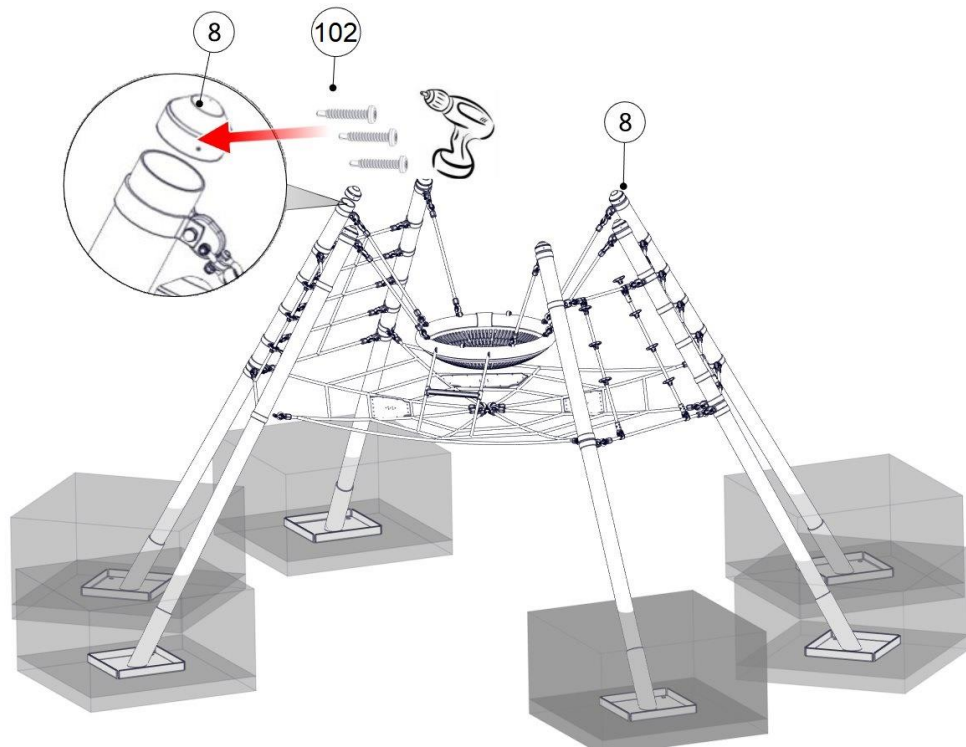












---

## Post installation checks

---



If the equipment has not been installed safely, you must ensure that the public is prevented from using it.

---

### **4.1 Marking filler depth**

- Labelling the posts to show the depth of material provided as fall protection (i.e. loose filler).

### **4.2 The equipment has not been installed safely in the following cases:**

- Safe equipment installation is not complete.
- The protective surface has not been installed yet.
- Appropriate maintenance work cannot guarantee operational safety.

### **4.3 Removal of all assembly aids**

- Please make sure that all assembly aids have been removed from the playing area. The equipment must not be approved for use until this check has been made.

### **4.4 Information about inspection of the equipment before it is used for the first time**

- There are no special inspection requirements to be met before the equipment is used for the first time.

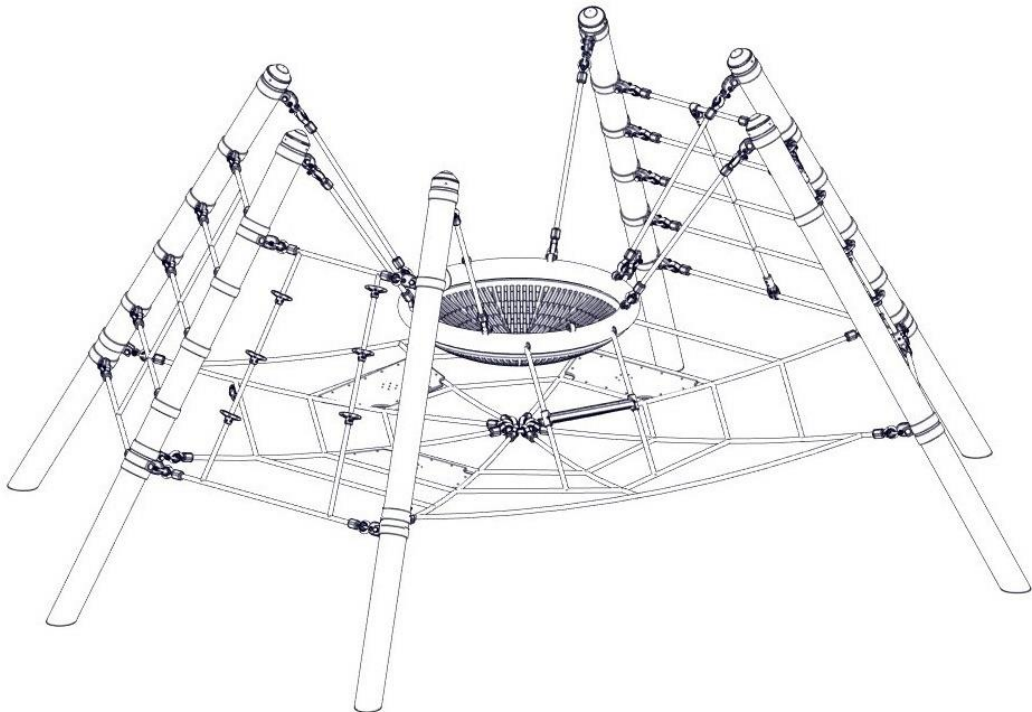
### **4.5 Retighten bolts**

- After one week of play, please retighten all bolts again. Later upon respective maintenance.



---

## **B Maintenance instructions** **Bird's Nest Spider, Art. 4597-10**



**Revisionshistorie**

First allowed version

Revision 0 – 2022-30-03 FH

Maintenance instructions

Revision 0 – 2022-30-03

All Rights Reserved

© Copyright 2022 Huck Seiltechnik GmbH

---

## 5 Introduction Maintenance

### 5.1 General informations

This equipment should be installed, inspected, maintained and operated in accordance with EN 1176-7 guidelines.



**Please note:** Providing any necessary repairs are carried out, a piece of play equipment that is inspected regularly cannot become so damaged that it is dangerous.

Any spare parts which may be required can be obtained directly from your supplier.



This equipment should only be assembled, maintained and repaired by **persons with the necessary expertise**.

**A copy of the inspection record should be given to the operator, who must confirm receipt.**

---

**This maintenance instruction is based on the standard  
“EN 1176-1:2017”.**

## 6 General maintenance information

### 6.1 Maintenance intervals

Maintenance intervals are based on average use. Please note that more frequent inspections and/or maintenance are required if the play equipment is subject to intensive use.

### 6.2 Inspection frequency

The frequency of inspections must be based on actual use. Factors that affect frequency include vandalism, location (e.g. coastal proximity), air pollution and the age of the equipment.

### 6.3 Maintenance products and procedures

All nuts and bolts are hot-dip galvanised or stainless steel. One of the characteristics of stainless steel is that uncontrolled cold welding may occur when the nuts are tightened. To prevent this, it is necessary to spray the nuts and bolts with Teflon spray or another similar lubricant.

### 6.4 Spare parts

All spare parts must conform to the manufacturer's specifications.

### 6.5 Identifying spare parts

All spare parts are listed in the parts list. The parts list follows the installation requirements.

### 6.6 Special instructions for the disposal of individual equipment components

No special instructions are necessary for the disposal of individual equipment components.

### 6.7 Special measures during the break-in period

No later than 2 weeks after assembly, all screwed connections should be checked and tightened if necessary.

### 6.8 Maintenance of protective surfaces

Surfaces providing fall protection must also be maintained regularly. It is particularly important to maintain the correct level of loose surface material and add more if necessary.

### 6.9 Faults



Faults must be repaired as soon as they are detected. If serious defects that compromise safety cannot be repaired straight away, the public must be prevented from using the equipment with immediate effect.

---

## 6.10 Loose screws

---



Loose screws always cause quality problems and put safety at risk. Therefore, loose screws should always be tightened and checks carried out to ensure that there are no missing screws (e.g. look out for holes you can see through).

---

## 6.11 Preventing equipment use

Use of the equipment should be prevented in the event of incomplete installation, disassembly, maintenance, repairs and faults.

## 6.12 Claims/liability for faults

Steel posts and footings are guaranteed if regular maintenance is carried out and recorded in writing. Our general terms and conditions apply. Maintenance first takes place after 3 years. The steel posts must be excavated as far as the concrete foundations and checked for corrosion.

Zinc paint should be applied to any corroded areas and scratches. Check ropes for abrasion. Retreat any that are very worn.

---

## **7 Maintenance timetable**

### **7.1 Special advices**

#### **7.1.1 Maintenance interval**

We strongly advise you to carry out inspections and maintenance work within the specified periods as use of the equipment, the weather and malicious vandalism cause wear and tear that compromises the safety and function of the equipment.

#### **7.1.2 Maintenance intervals in the event of intensive use**

Please note that more frequent inspections and/or maintenance are required if the play equipment is subject to intensive use.

#### **7.1.3 Faults that compromise safety**

---



**Notice**

In the event of a fault that compromises safety, quick action must be taken. This may involve repairing it immediately or shutting down and dismantling the equipment.

---

#### **7.1.4 Faults that compromise function**

---

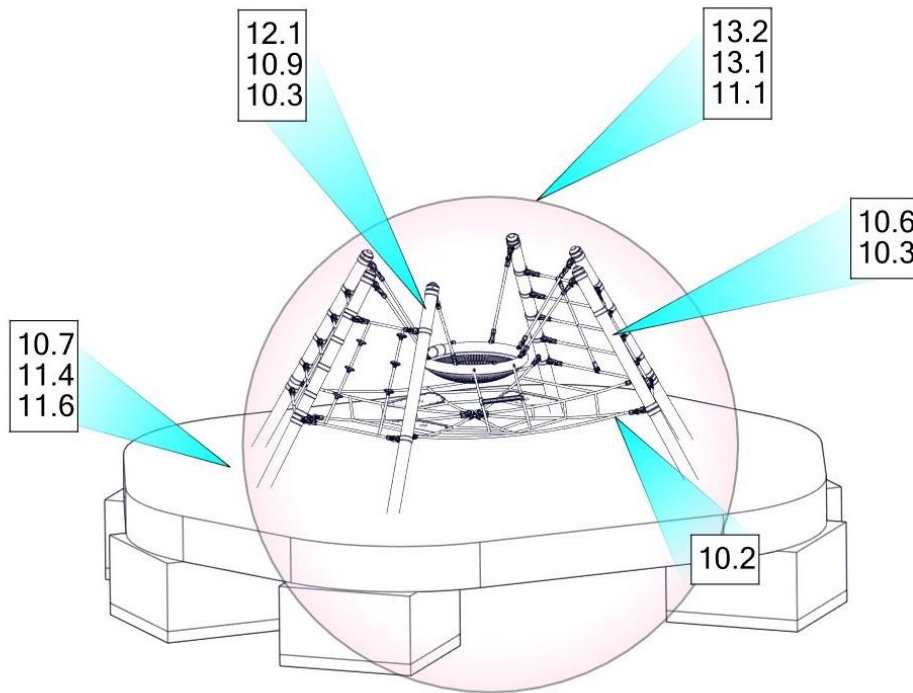


**Notice**

Faults that compromise function should also be repaired immediately. Such faults lower the value of the equipment to the user and encourage malicious vandalism, which may render the equipment less safe. Any damage should also be repaired immediately.

---

## 8 Regular maintainan



## **Regular maintenance**

### **9 Monthly maintenance**

- 9.1 Check the spaces between the equipment and the ground (clearance and height of fall).**
- 9.2 Check the ground surface in the area with fall protection for hard objects and loose foundations.**
- 9.3 Check all connecting elements and fittings for wear and tear and tighten if necessary. Replace damaged or missing parts.**
- 9.4 Check that moving metal parts (joints, springs, etc.) move smoothly and are not worn. Replace if necessary. It is not necessary to lubricate joints as we only use maintenance-free metal roller bearings.**
- 9.5 Check all attachments such as chains, ropes, nets, etc. for damage and replace if necessary.**
- 9.6 Check rubber parts, sleeves, etc. for wear and tear or damage and replace if necessary.**
- 9.7 If necessary, remove excess padding material from the post footings due to danger of rotting.**
- 9.8 Check the surface of wooden parts for damage caused by the weather or external influences and mould. Repair or replace if necessary.**
- 9.9 Check the surface of plastic and metal parts, e.g. slides, for damage and replace if necessary.**

### **10 Quarterly maintenance**

- 10.1 Detailed inspection of the operation and stability of the equipment paying particular attention to any wear and tear.**
- 10.2 Tighten all forms of attachment.**
- 10.3 Repaint and retreat surfaces.**
- 10.4 Maintenance of fall protection surfaces.**
- 10.5 Lubrication of joints.**
- 10.6 Check the height of the fall and top up with loose filler if necessary. If the posts are labelled, top up as far as the mark.**
- 10.7 Retighten all bolts**



## 11 Half yearly maintenance

- 11.1 **Stability (check posts, bracing, foundations, etc.).** Ascertaining whether there are any changes in equipment safety as a result of repairs that have been carried out or components that have been added or replaced.

|   |                             |
|---|-----------------------------|
| <br><b>Attention</b> | <h1>Annual Maintenance</h1> |
|---|-----------------------------|

## 12 Annual maintenance

- 12.1 **Ascertaining that the equipment, foundations and surfaces are safe for operation.**
- 12.2 **In particular, the equipment should be checked for decay and corrosion. It may be necessary to dig out or excavate certain components in order to do so. Zinc paint should be applied to corroded areas and scratches.**



The equipment must be inspected by someone **with the necessary expertise** in strict compliance with the instructions issued by Huck Seiltechnik GmbH.

**A copy of the inspection record should be given to the operator, who must confirm receipt.**



### 13 Maintenance printout

Name of item: Bird's Nest Spider (registered design) / Art. No. 4597-10 \_\_\_\_\_

Location: \_\_\_\_\_

Customer or operator: \_\_\_\_\_

(Town, Town council, Kindergarten)

| Date of inspection | Inspector | O.K. | Accessible | Barriered | Defects | Repaired by | Date |
|--------------------|-----------|------|------------|-----------|---------|-------------|------|
|                    |           |      |            |           |         |             |      |
|                    |           |      |            |           |         |             |      |
|                    |           |      |            |           |         |             |      |
|                    |           |      |            |           |         |             |      |
|                    |           |      |            |           |         |             |      |
|                    |           |      |            |           |         |             |      |
|                    |           |      |            |           |         |             |      |
|                    |           |      |            |           |         |             |      |
|                    |           |      |            |           |         |             |      |
|                    |           |      |            |           |         |             |      |
|                    |           |      |            |           |         |             |      |

**Please copy and return once a year after main inspection has been carried out to the manufacturer by Telefax (06443) 83 11 79!**

**Place the confirmation form in the play equipment files.**



---

## 14 Hand over document

---



After the installation of the equipment pass the installation and maintenance documents to the operator. The operator has to receive the hand over documents. The complete filled and signed hand over document should be sent to the supplier.

---

Art.-No.: 4597-10

Type of item: Bird's Nest Spider

Serial number:

**Customer or operator (Town, Town council, Kindergarten, etc.):**

---

---

Competent person in charge:

---

---

**Installation company (address):**

---

---

Responsible assistant (assembler):

---

---

Received the complete assembly instructions, maintenance instructions and maintenance printout .

---

(Signature of operator)      (Signature of installation company)  
(Stamp)

Date: \_\_\_\_\_