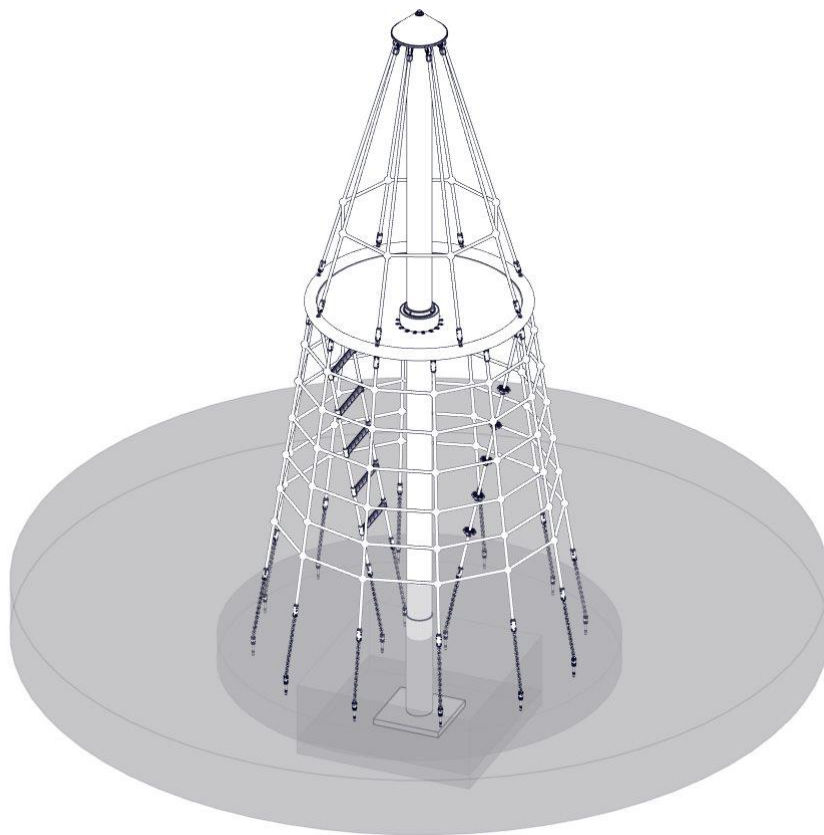

A Assembly instruction **Play Component Sixt von Armin, Art. 4592-10** **(with Steel post)**

Attention! Only use the assembly instructions included in the scope of delivery for the assembly, installation and maintenance of the respective equipment!



Operator: _____

Location: _____

Revision history

First allowed version

Revision 0 – 2022-30-03 FH

Assembly instructions

Revision 3 – 2023-10-05

Mindestraum von 21,7 m² auf 22 m² FH

All Rights Reserved

© Copyright 2022 Huck Seiltechnik GmbH

Contents

A	Assembly instruction Play Component Sixt von Armin, Art. 4592-10	1
2	Data sheet : Sixt von Armin, Art. 4592-10	6
3	Delivery contents (parts list with part numbers)	8
4	Install instructions	12
5	post installation checks	24
B	Maintenance instructions Play Component: Sixt von Armin, Art. 4592-1025	
6	Introduction Maintenance	27
7	General maintenance information	28
8	Maintenance timetable	31
9	Regular maintenanc	32
10	Monthly maintenance	33
11	Quarterly maintenance	33
12	Half yearly maintenance	34
13	Annual maintenance	34
14	Maintenance printout	35
15	Hand over document	37

List of Tables

Table 3-1: Delivery contents, in words	8
Table 3-2: Delivery contents, in symbols	9

1 Introduction Assembling

1.1 General information

This equipment should be installed, inspected, maintained and operated in accordance with EN1176-7 guidelines.

Before installation work commences, please check that you have all of the equipment and fixation components in the parts list provided (see Tables 3-1 and 3-2).

Any spare parts that may be required can be obtained directly from your supplier.



Following installation, complete assembly instructions, maintenance instructions and a maintenance record must be sent to the operator who must confirm receipt in writing. See the last page of this document.



All nuts and bolts are hot-dip galvanised or stainless steel. One of the characteristics of stainless steel is that uncontrolled cold welding may occur when the nuts are tightened. To prevent this, it is necessary to spray the nuts and bolts with Teflon spray or another similar lubricant.

We hereby confirm that this play equipment has been tested and certified in accordance with the play equipment standard EN 1176-1.

Drawings / Views

All optical drawings are showing only the measurements/dimensions and are no mandatory technical views of the complete item.

We reserve the right to change technical details of our articles which are serving for the further development of our articles and are reasonable for the customer.

Measurement tolerances

Because of the properties and characteristics of the components, minor measurement tolerances compared to the indication on the sketches are possible.

This concerns all shown measurements except the foundation measurements resp. measurements below upper edge ground level/play area.

2 Data sheet: Sixt von Armin, Art. 4592-10

Space requirement without Safety zone: Ø 2.00 m

Space requirement with Safety zone: Ø 5.30 m

Height of fall: 2.08 m

Height of equipment: 4.15 m

fall protection area: 22 m²

1. Required safety surface:

Surface material	Description mm	Minimum thickness of layer	Maximum height of fall
		mm	mm
Topsoil grass			≤ 1000*
Chipped bark	20 – 80 grain size	300	≤ 2000
		400	≤ 3000
Wood chippings	5 – 30 grain size	300	≤ 2000
		400	≤ 3000
Sand	0.2 – 2 grain size	300	≤ 2000
		400	≤ 3000
Gravel	2 – 8 grain size	300	≤ 2000
		400	≤ 3000
Other ground materials	As recommended by manufacturer		

2. Name and overall dimension of the largest component:

1 Steel post Ø 159 mm; Länge 5,00 m

3. Name and weight of the heaviest component: 1 Steel post : 95 kg

4. Intended age group: : 3 years and over

5. Please note that this equipment is set in concrete.

Concrete: C25/30

Required concrete: ~1,7 m³

Foundations/area to be excavated:

1x 1,20 m long x 1,20 m wide x 1.10 m deep,

1x Ø 2,60 m x 0,20 m deep,

..



Attention!

Round off foundation edges (min.R = 100 mm)! Sizes of foundations are “4-5” (natural ground).

Soil class 4: soft to medium plasticity, interleave bound, with minor portion of stone (portion < 30% with bigger diameter of 63 mm grain size).

Soil class 5 : ground with soil class 3 and 4 with big portion of stones (portion > 30% with bigger diameter of 63 mm grain size).

In case of sandy and soft soils, the surface measure of foundations have to be enlarged for about 50%!

6. Assembly time, once foundations completed: 4 hours.
Required assistants: 2 persons.
7. **We hereby confirm that this item of play equipment has been tested and certified in accordance with the play equipment standard EN 1176.**

3 Delivery contents (parts list with part numbers)


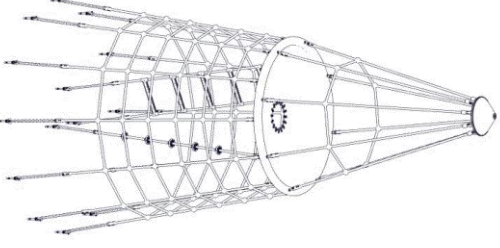

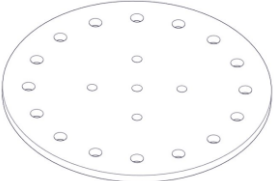




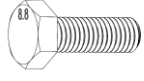


3.1 In words


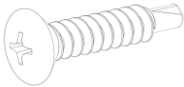

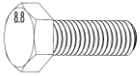

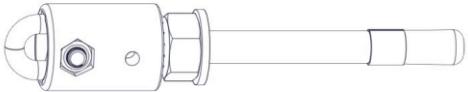

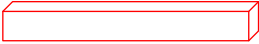
Table 3-1: Delivery contents, in words


Pos.	Quantity	Element / Description	Size	O.K.	Missing
1	1	Steel post	Ø 159 mm, 5000 mm long		
2	1	Play component(nets with ring)			
3	1	Post/Net cap	Ø 360mm		
4	1	Post/Net connection plate	galvanist		
100	1	Threaded bolt +1 Nut +1 Stop screw nut + +2 Washer	M16 x 165 mm		
101	8	Allen bolt +Washer	M12 x 25 VA		
102	15	long link chain(premounted)	5 mm		
103	2	Pinch-Safety-Rings	Ø 159 mm		
104	8	Self tapping screws	6,3 x 45 mm		
105	1	Loctite (Screw lock)	1 Pc.		
106	4	Hex bolt + Washer	M12 x 30		
107	15	VA Adapter with fixed anchor	Ø12 mm (Drilling Ø 14 mm)		
108	1	Black Cover cap	f. M16		
109	1	Paving slabs (on site)			

3.2 In symbols

Table 3-2: Delivery contents, in symbols

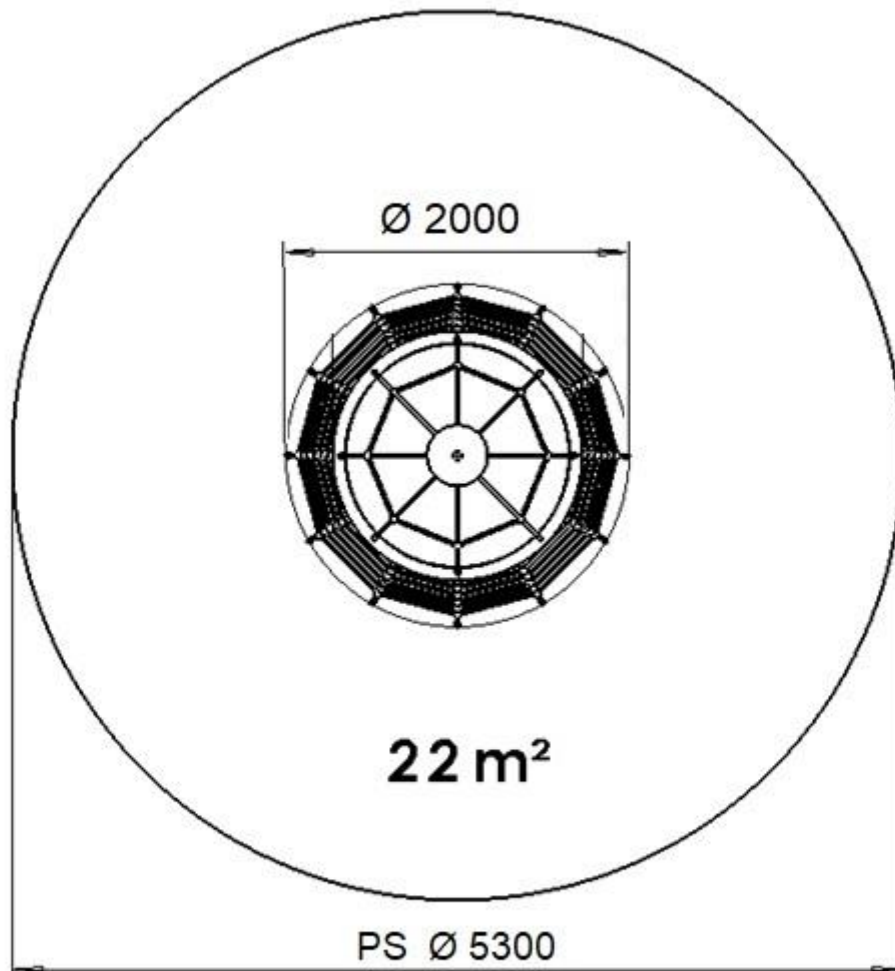
Pos.	Stückzahl	Symbol
1	1	 Steel post Ø 159 mm x 5000 mm long
2	1	Play component(nets with ring) 
3	1	Post/Net cap 
4	1	Post/Net connection plate 
100	1	Threaded bolt M16 x 165 mm long  1 x Nut M16  1 x Stop screw nut M16  2 x Washers M16 
101	8	Allen bolt M12 x 25  Tooth washer M12 
102	15	long link chain(premounted) Ø 5 mm 

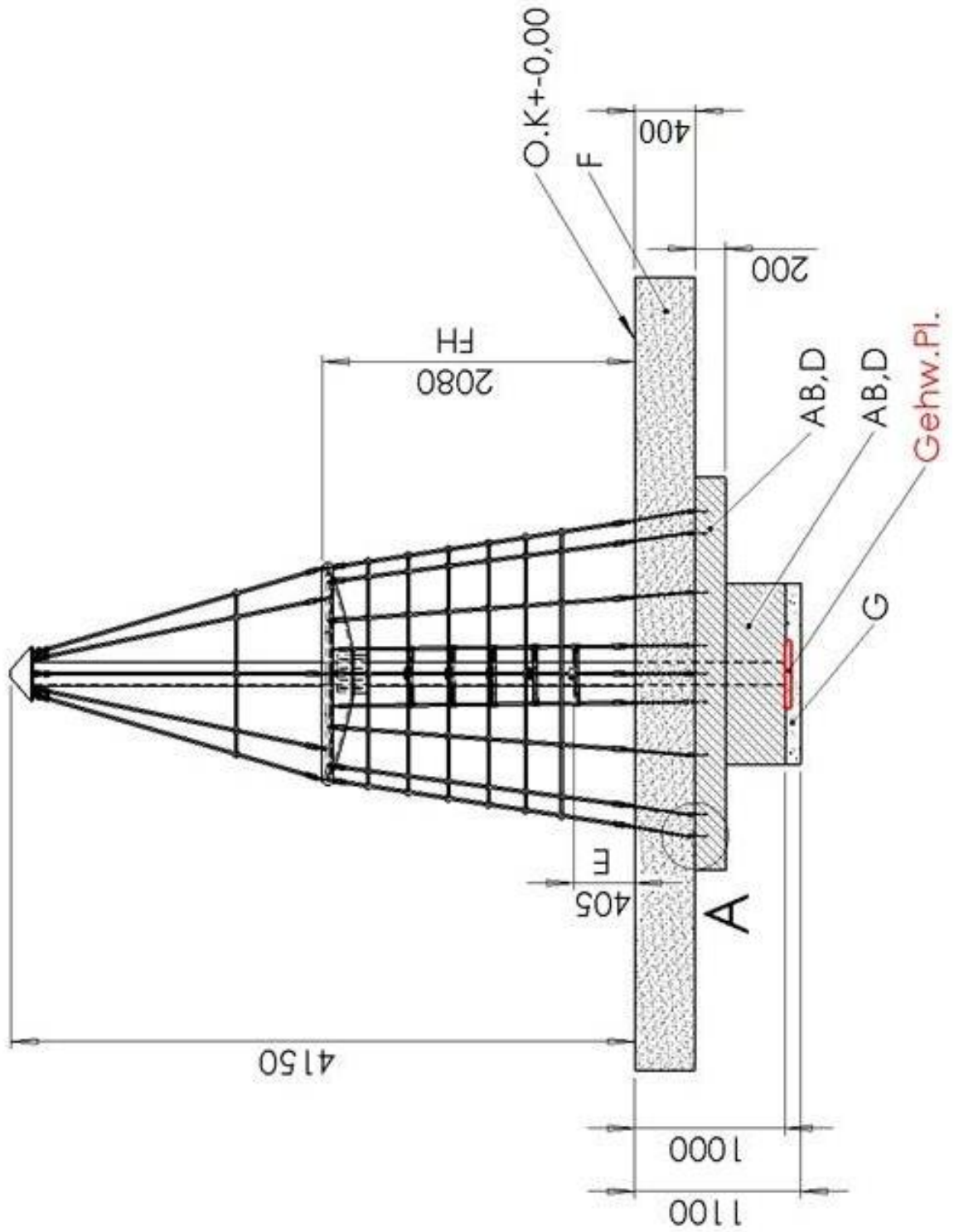
103	2	Pinch-Safety-Rings Ø 159 mm	
104	8	Self tapping screws 6,3 x 45 mm	
105	2	Loctite (several drops Screw lock)	
106	4	Hex bolt M 12 x 30 verzinkt Tooth washer M 12	 
107	15	VA Adapter with fixed anchor Ø 12mm	
108	1	Black Cover cap f. Stopnut M16	
109	1	Sidewalk flagstone (on site)	

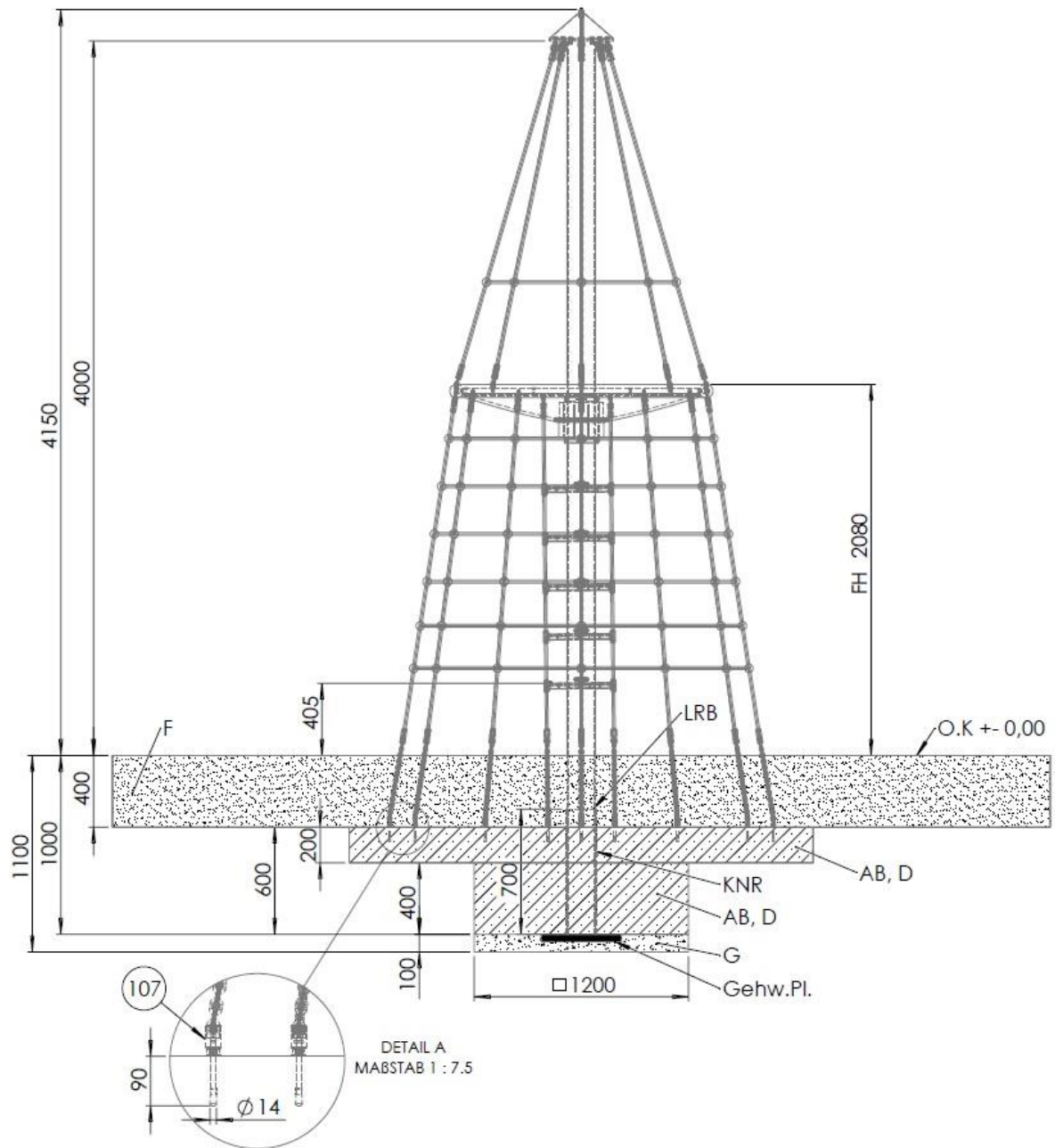
	<u>Erklärungen der Zeichen und Abkürzungen:</u> Spielgerät: Sixt von Armin
AB	The legal setting times of concrete must be observed
D	Concrete C25/30 (for foundations)
Dt	Detail
F	Fall protection
HS	Rope
Le	Ladder plastic rung
Gehw.	Sidewalk flagstone (by the customer)!
Pl.	Upper edge – drainage (see drawing) Kunden unter die Pfosten zu unterlegen! Oberkante - Sickerschicht (siehe Zeichnung)
G	Drainage 10 cm
KNR	Pipe concrete PVC Ø 200 mm ~ 0,70 m long (on site!)
LRB	Fill the gap with concrete
O.K.	Upper edge of playing level
PS	Impact area
ML	Mast length
mDL	Clean with compressed air
	<p><u>Sizes of foundations are designed for soils class“4-5” (natural ground).</u></p> <p><u>Soil class 3: Non-cohesive to low-cohesive plasticity, sand, gravel and sand-gravel-mixtures, with very low portion of stones portion of stones (portion > 30% with bigger diameter of 63 mm grain size)</u></p> <p><u>Soil class 4: soft to medium plasticity, interleave bound, with minor portion of stone (portion < 30% with bigger diameter of 63 mm grain size)</u></p> <p><u>Soil class 5: Soil class 5: ground with soil class 3 and 4 with big portion of stones</u></p> <p><u>(portion > 30% with bigger diameter of 63 mm grain size)</u></p> <p><u>IN CASE OF SANDY AND SOFT SOILS, THE SURFACE DIMENSIONS OF FOUNDATIONS HAVE TO BE ENLARGED FOR ABOUT 50%!.</u></p>

See drawings for details of shortcuts

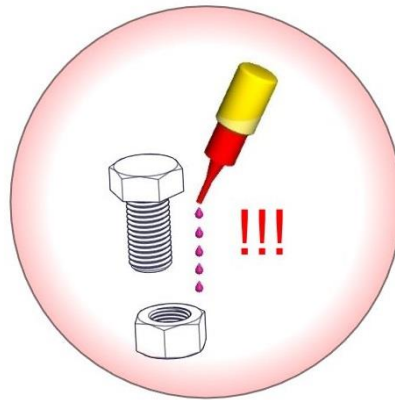
4 Install instruction



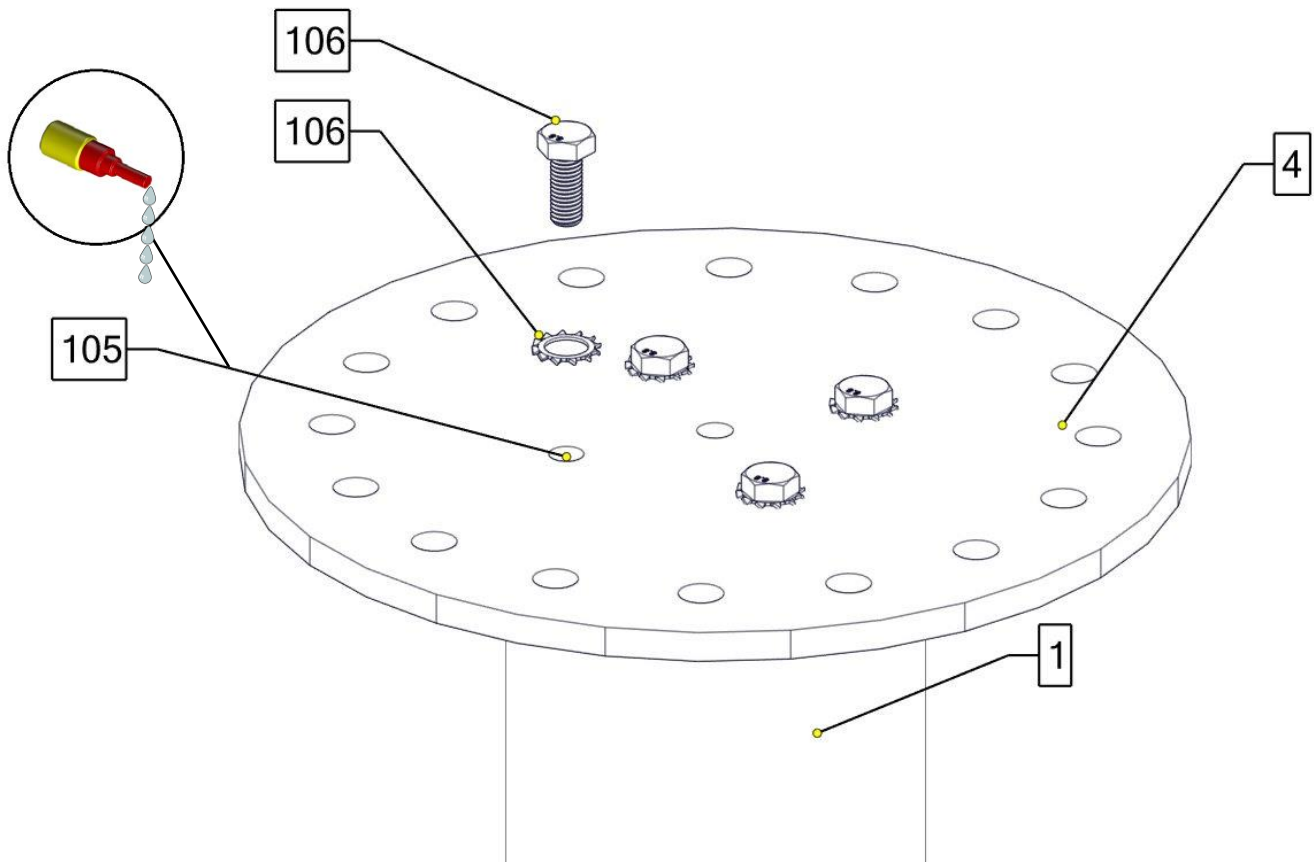


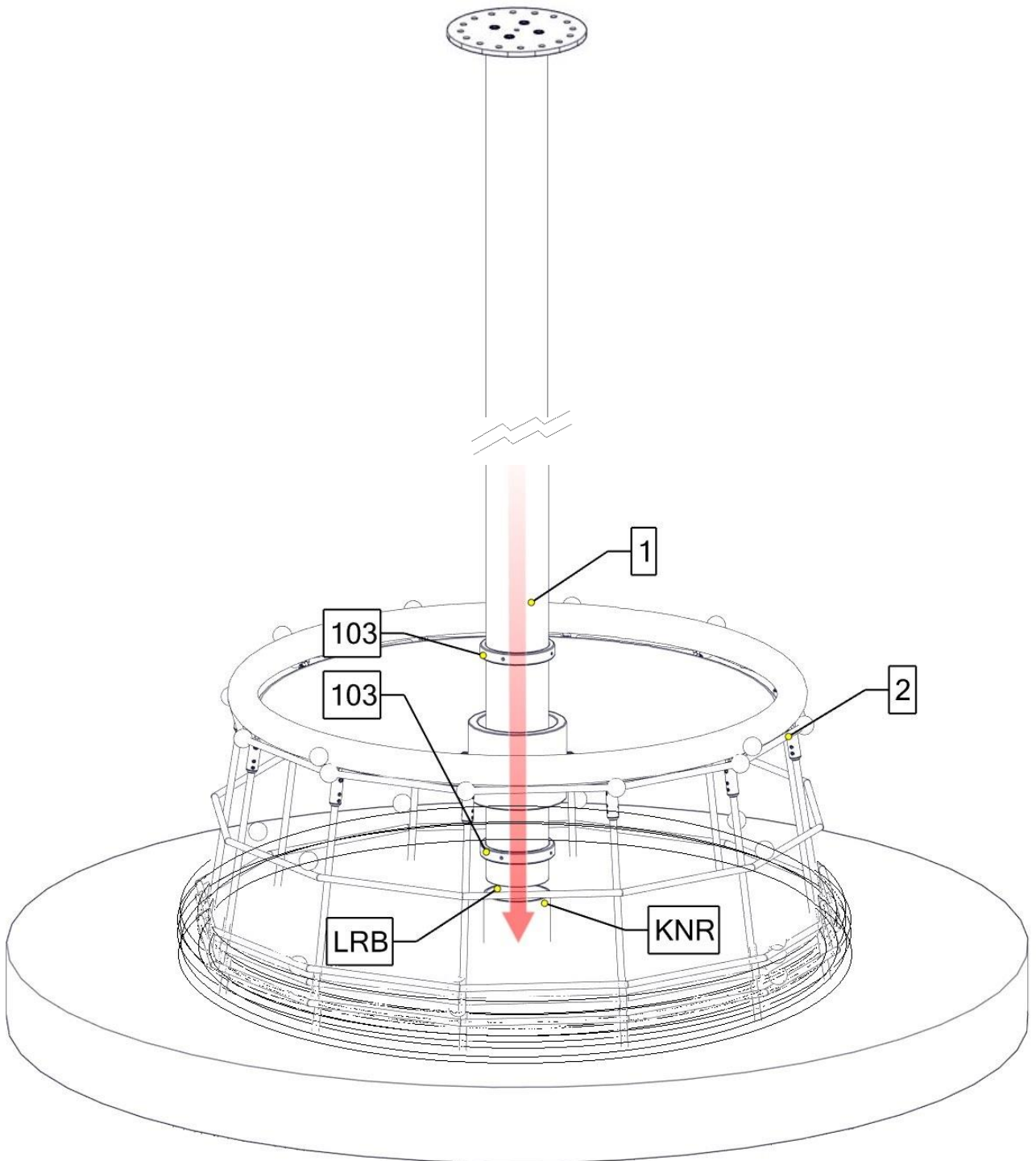


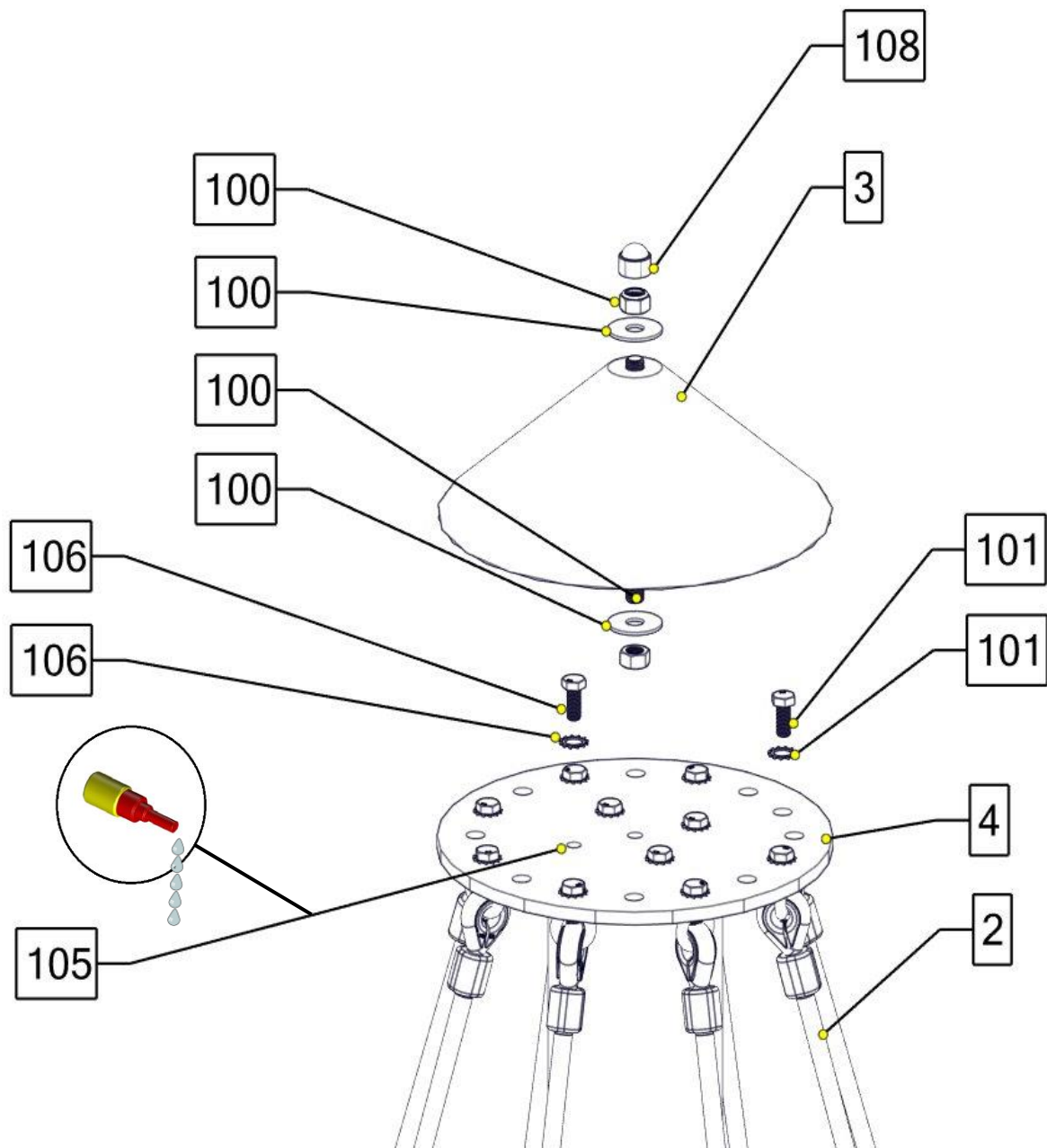
Thread locking!

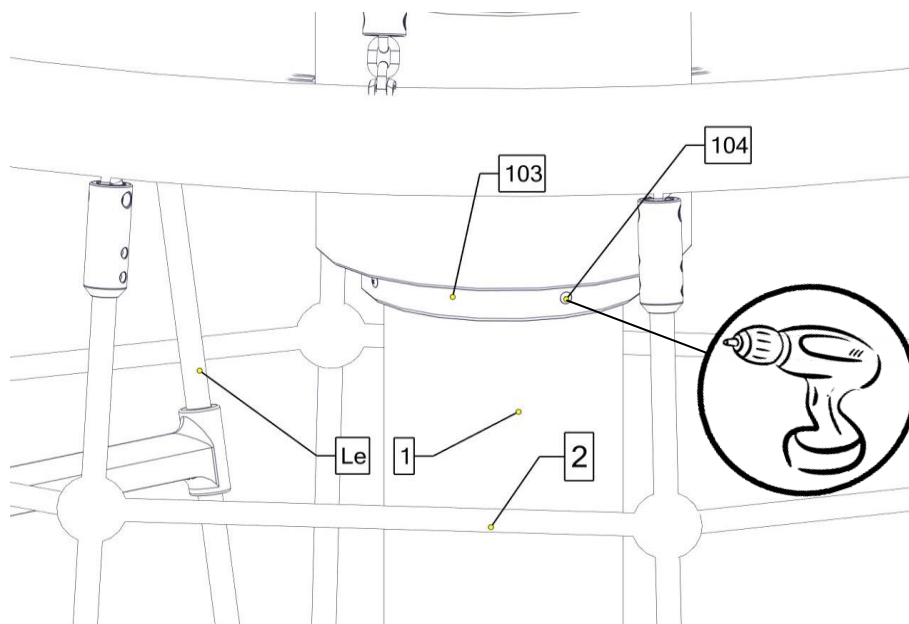
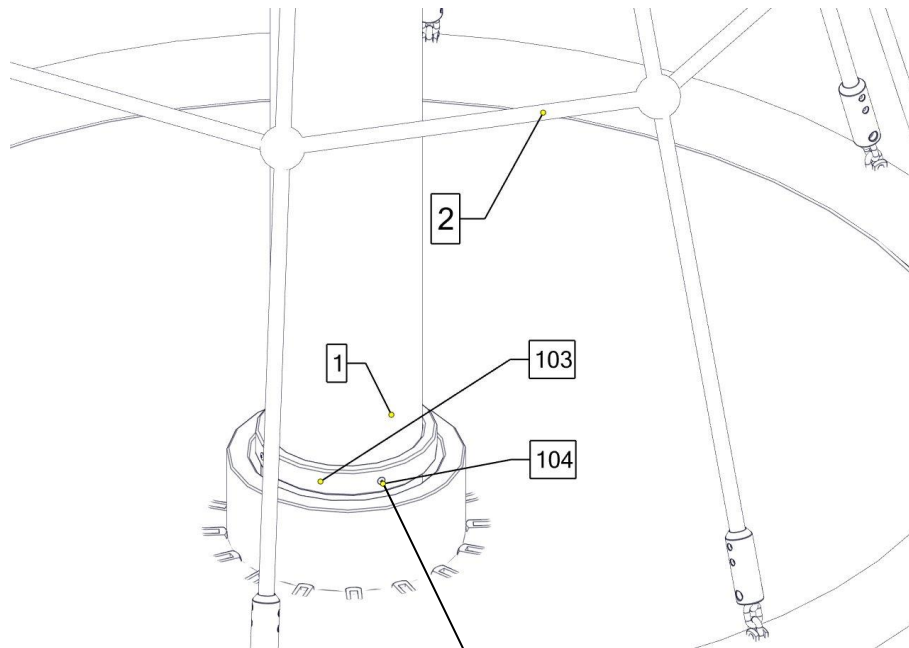


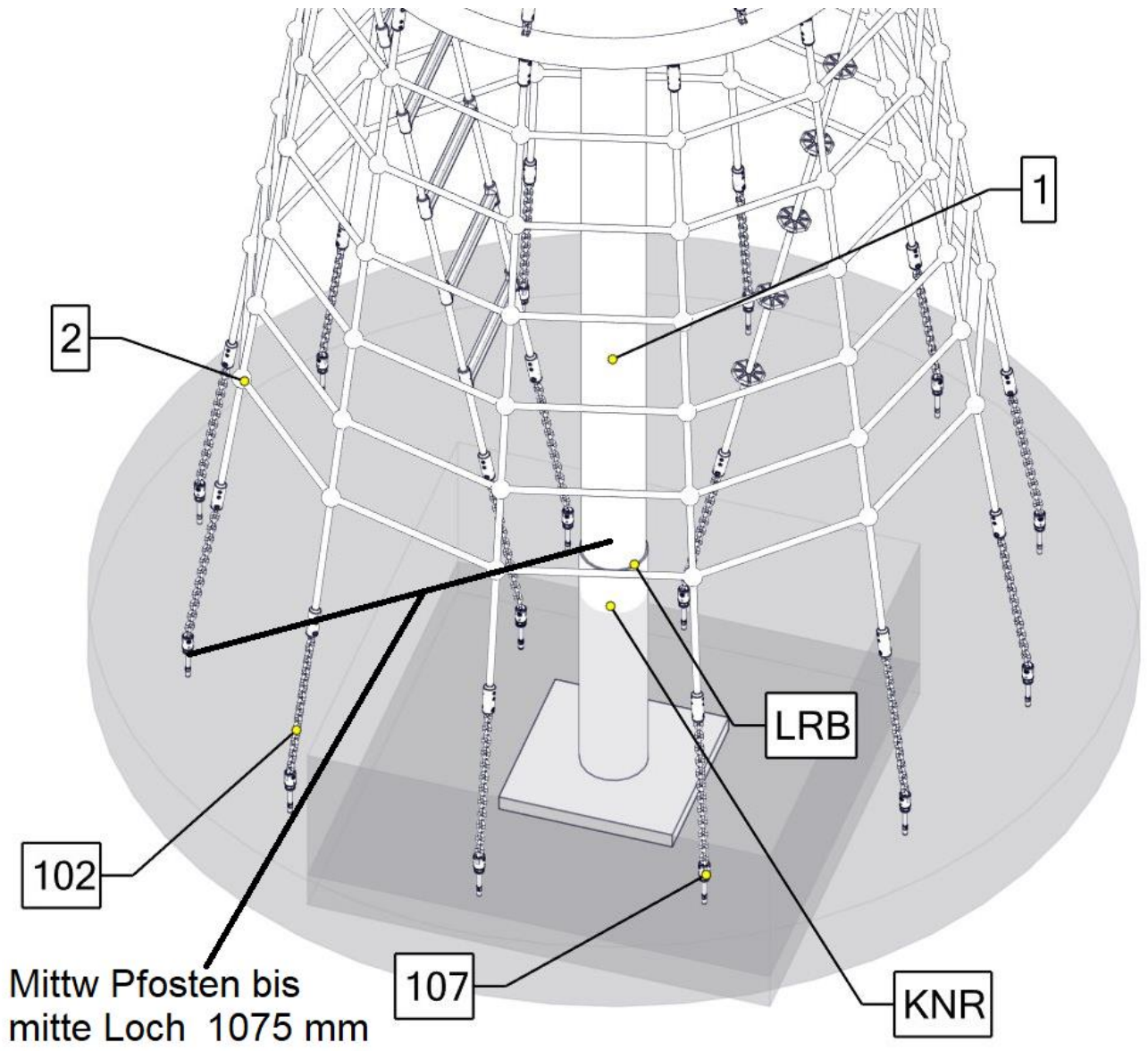
**All screws, nuts and bushes have to be secured with
Loctite
(stop screw nuts excepted)
(e.g. for Torx-bushes M12 x 40 at least 5 drops are
required)**

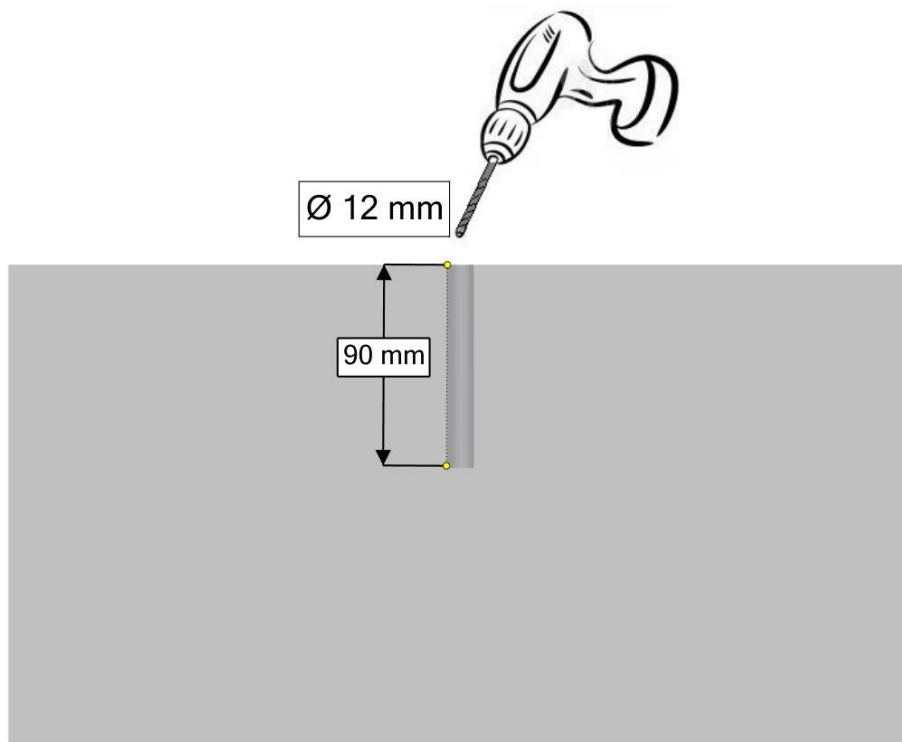
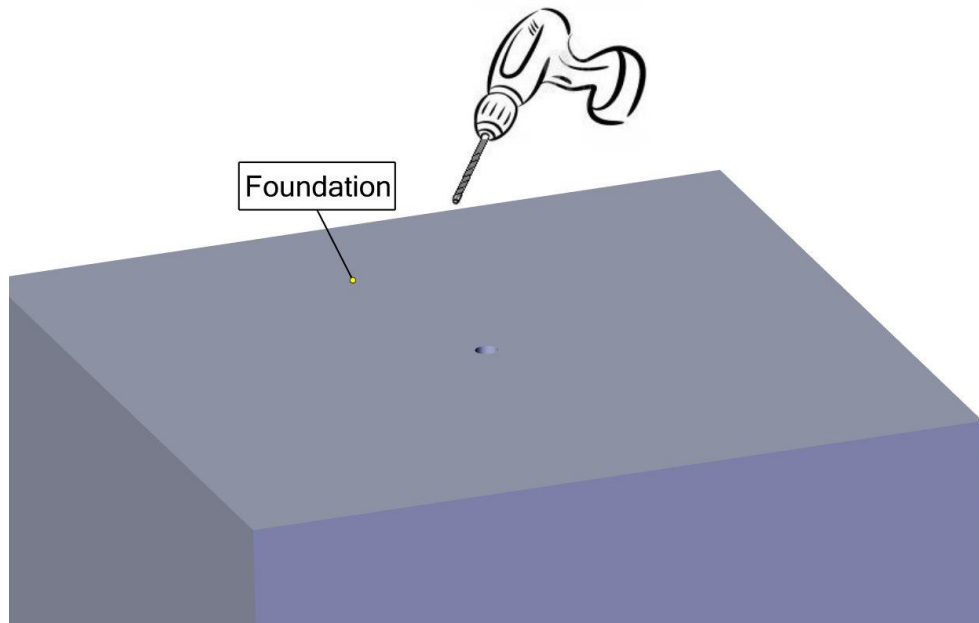


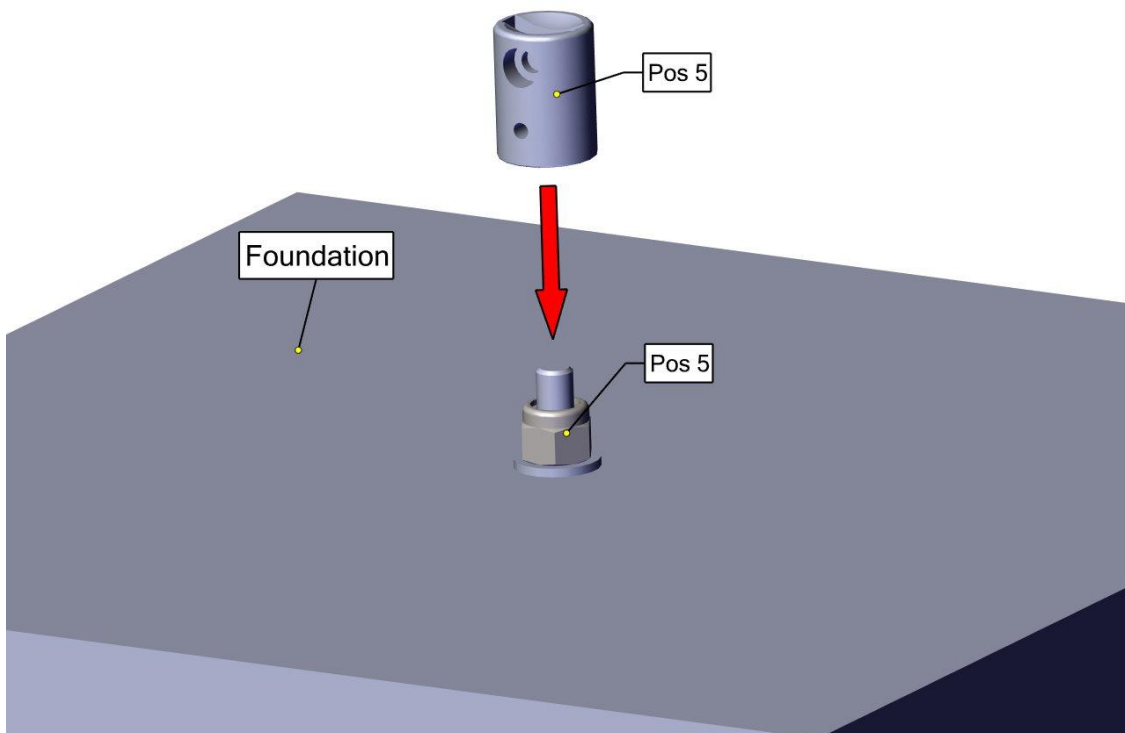
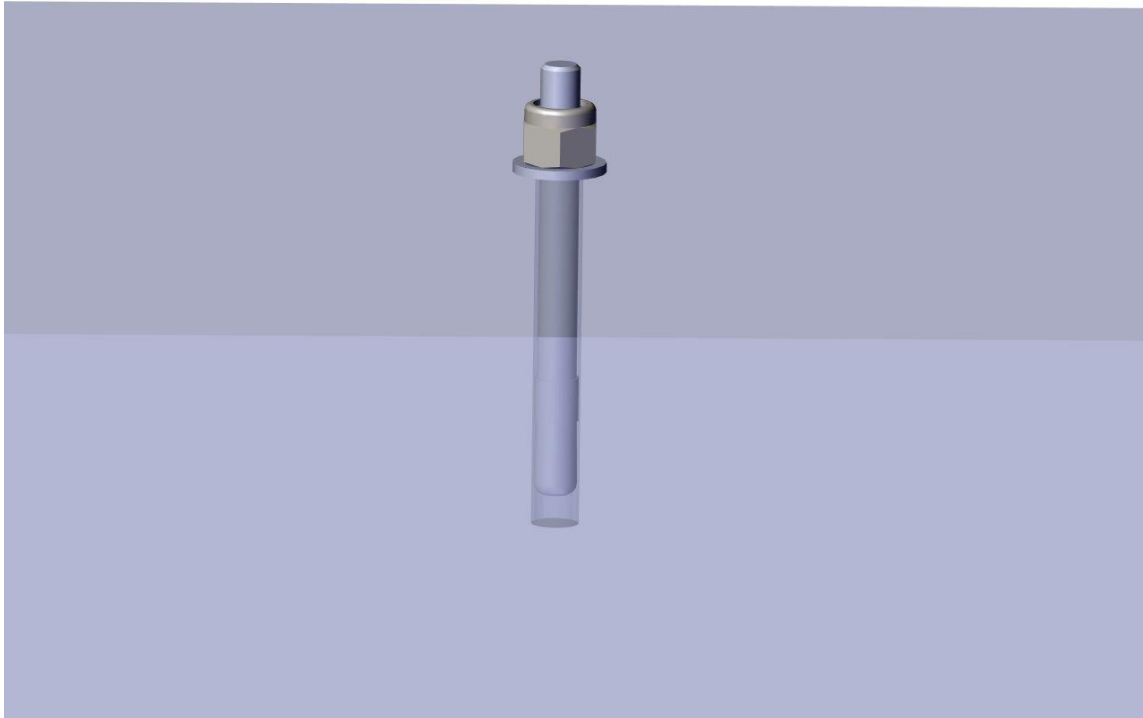


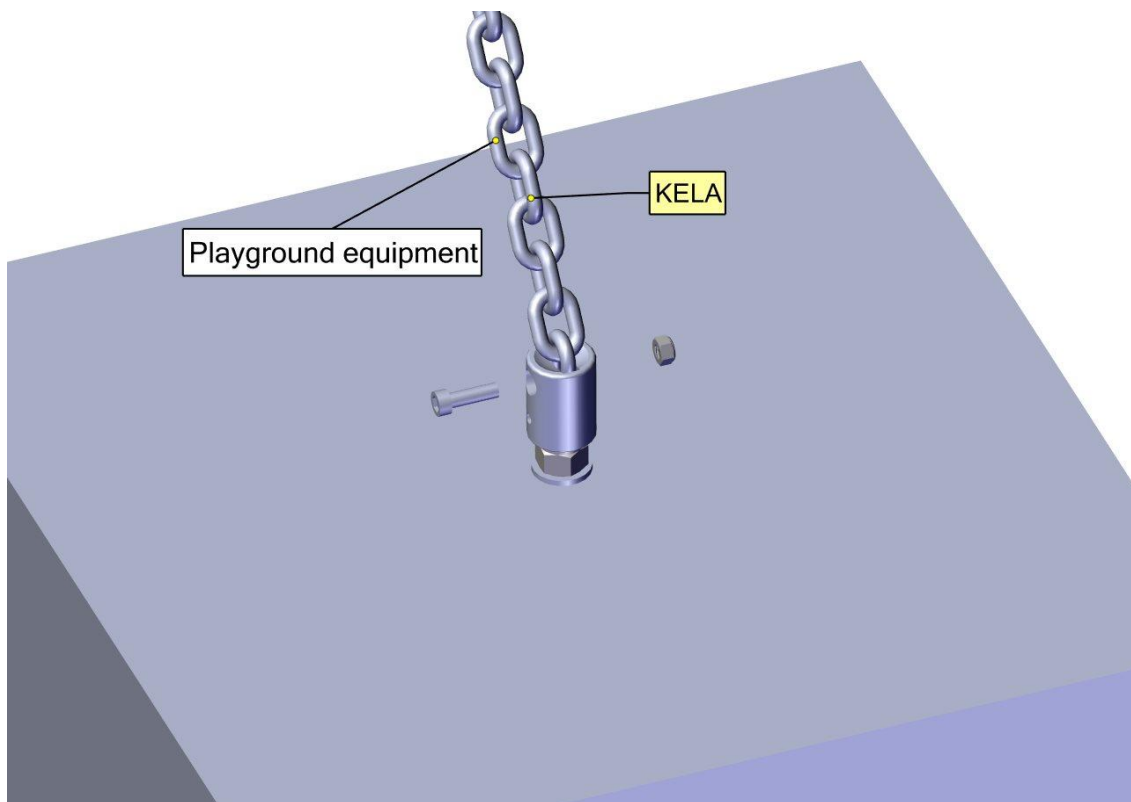
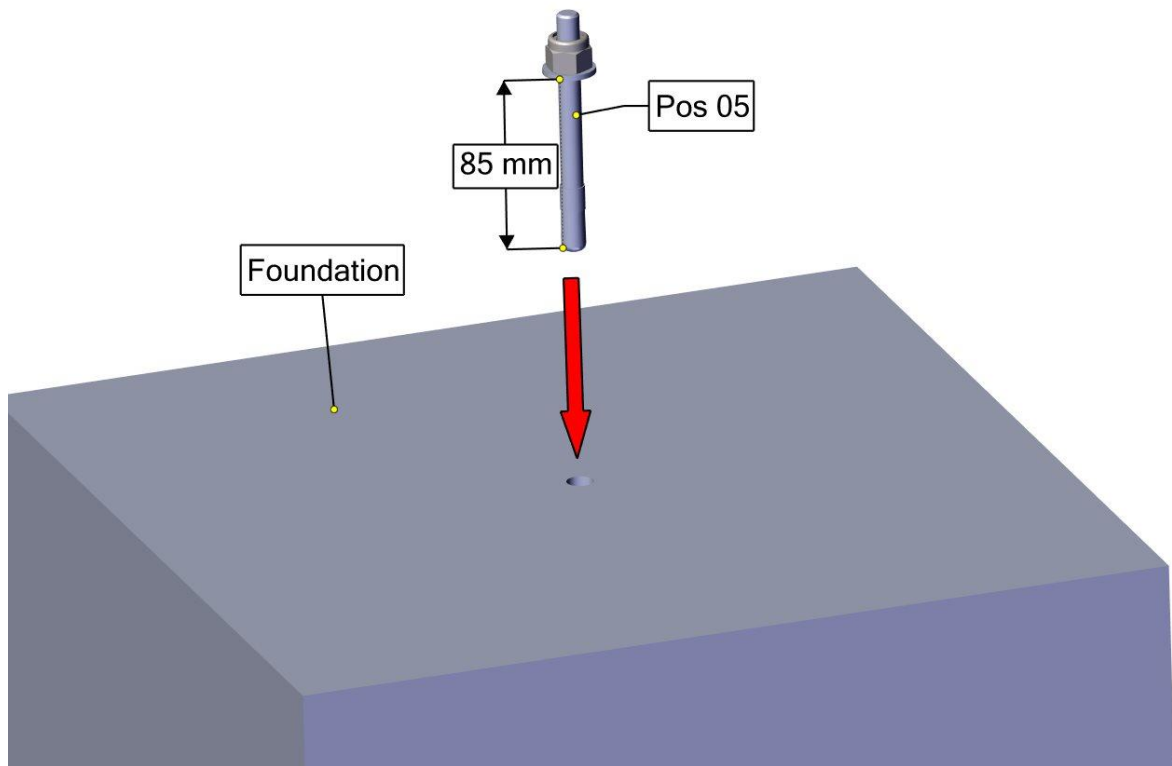












6 post installation checks



If the equipment has not been installed safely, you must ensure that the public is prevented from using it.

6.1 Marking filler depth

- Labelling the posts to show the depth of material provided as fall protection (i.e. loose filler).

6.2 The equipment has not been installed safely in the following cases:

- Safe equipment installation is not complete.
- The protective surface has not been installed yet.
- Appropriate maintenance work cannot guarantee operational safety.

6.3 Removal of all assembly aids

- Please make sure that all assembly aids have been removed from the playing area. The equipment must not be approved for use until this check has been made.

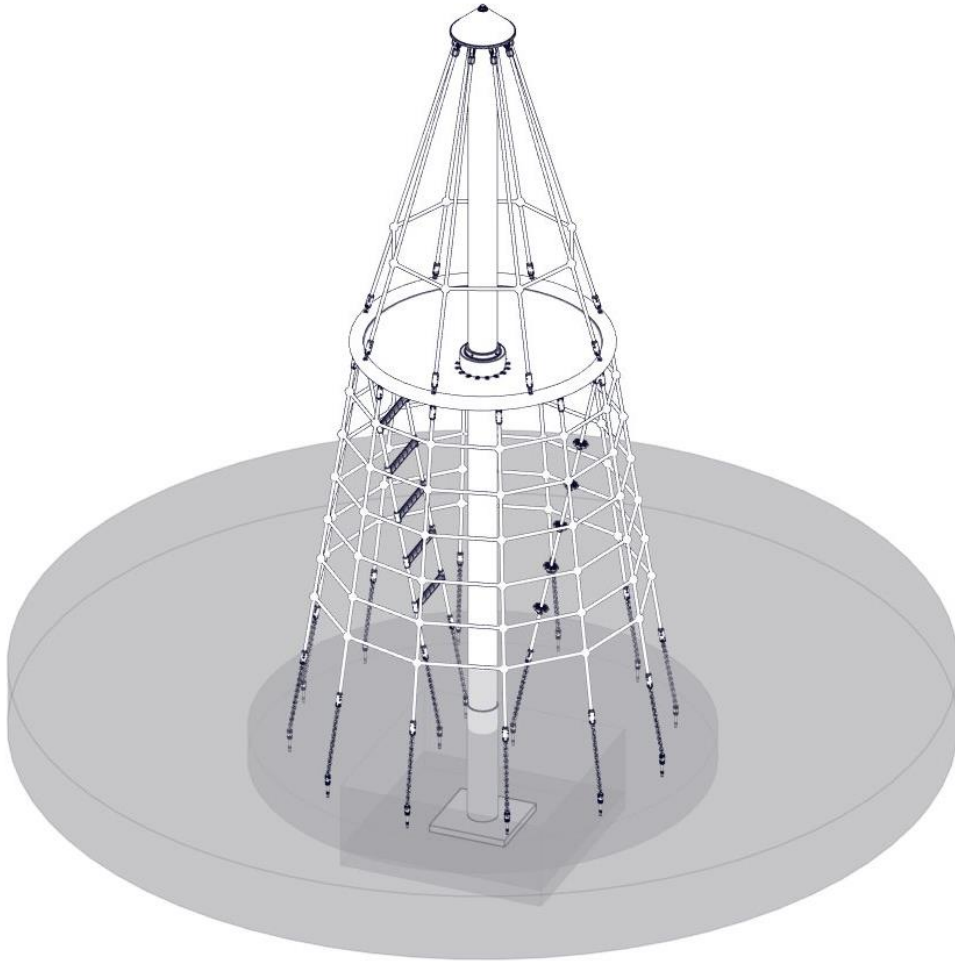
6.4 Information about inspection of the equipment before it is used for the first time

- There are no special inspection requirements to be met before the equipment is used for the first time.

6.5 Retighten bolts

- After one week of play, please retighten all bolts again. Later upon respective maintenance.

B Maintenance instructions
Play Component: Sixt von Armin, Art. 4592-10
(with Steel post)



Revisionshistorie
Revision 0 – 2022-28-03 FH
Erste freigegebene Version
Wartungsanleitung
Revision 3 – 2023-10-05
Mindestraum von 21,7 m² auf 22 m² FH
Alle Rechte vorbehalten
© Copyright 2022 Huck Seiltechnik GmbH

7 Introduction Maintenance

7.1 General informations

This equipment should be installed, inspected, maintained and operated in accordance with EN 1176-7 guidelines.



Please note: Providing any necessary repairs are carried out, a piece of play equipment that is inspected regularly cannot become so damaged that it is dangerous.

Any spare parts which may be required can be obtained directly from your supplier.



This equipment should only be assembled, maintained and repaired by **persons with the necessary expertise**.

A copy of the inspection record should be given to the operator, who must confirm receipt.

**This maintenance instruction is based on the standard
“EN 1176-1:2017”.**

8 General maintenance information

8.1 Maintenance intervals

Maintenance intervals are based on average use. Please note that more frequent inspections and/or maintenance are required if the play equipment is subject to intensive use.

8.2 Inspection frequency

The frequency of inspections must be based on actual use. Factors that affect frequency include vandalism, location (e.g. coastal proximity), air pollution and the age of the equipment.

8.3 Maintenance products and procedures

All nuts and bolts are hot-dip galvanised or stainless steel. One of the characteristics of stainless steel is that uncontrolled cold welding may occur when the nuts are tightened. To prevent this, it is necessary to spray the nuts and bolts with Teflon spray or another similar lubricant.

8.4 Spare parts

All spare parts must conform to the manufacturer's specifications.

8.5 Identifying spare parts

All spare parts are listed in the parts list. The parts list follows the installation requirements.

8.6 Special instructions for the disposal of individual equipment components

No special instructions are necessary for the disposal of individual equipment components.

8.7 Special measures during the break-in period

No later than 2 weeks after assembly, all screwed connections should be checked and tightened if necessary.

8.8 Maintenance of protective surfaces

Surfaces providing fall protection must also be maintained regularly. It is particularly important to maintain the correct level of loose surface material and add more if necessary.

8.9 Faults



Faults must be repaired as soon as they are detected. If serious defects that compromise safety cannot be repaired straight away, the public must be prevented from using the equipment with immediate effect.

8.10 Loose screws



Loose screws always cause quality problems and put safety at risk. Therefore, loose screws should always be tightened and checks carried out to ensure that there are no missing screws (e.g. look out for holes you can see through).

8.11 Preventing equipment use

Use of the equipment should be prevented in the event of incomplete installation, disassembly, maintenance, repairs and faults.

8.12 Claims/liability for faults

Steel posts and footings are guaranteed if regular maintenance is carried out and recorded in writing. Our general terms and conditions apply. Maintenance first takes place after 3 years. The steel posts must be excavated as far as the concrete foundations and checked for corrosion.

Zinc paint should be applied to any corroded areas and scratches. Check ropes for abrasion. Retreat any that are very worn.

It is recommended to carry out the control and maintenance work in the specified periods, as due to the operation of the game, due to weather conditions or wilful destruction, wear and tear occurs, which represents a loss of safety and function.

In the event of defects that affect safety, action must be taken quickly, either by immediate repair or by dismantling or decommissioning the device! Defects that impair the function reduce the play value of the device and provoke wanton destruction, which may result in a loss of security. Here, too, the damage should be repaired immediately.

Maintenance and repair are only to be carried out by competent persons.

General: A regularly checked play equipment can not be so damaged that it becomes dangerous. However, the prerequisite is that the regular checks entail a repair if necessary.

9 Maintenance timetable

9.1 Special advices

9.1.1 Maintenance interval

We strongly advise you to carry out inspections and maintenance work within the specified periods as use of the equipment, the weather and malicious vandalism cause wear and tear that compromises the safety and function of the equipment.

9.1.2 Maintenance intervals in the event of intensive use

Please note that more frequent inspections and/or maintenance are required if the play equipment is subject to intensive use.

9.1.3 Faults that compromise safety



Notice

In the event of a fault that compromises safety, quick action must be taken. This may involve repairing it immediately or shutting down and dismantling the equipment.

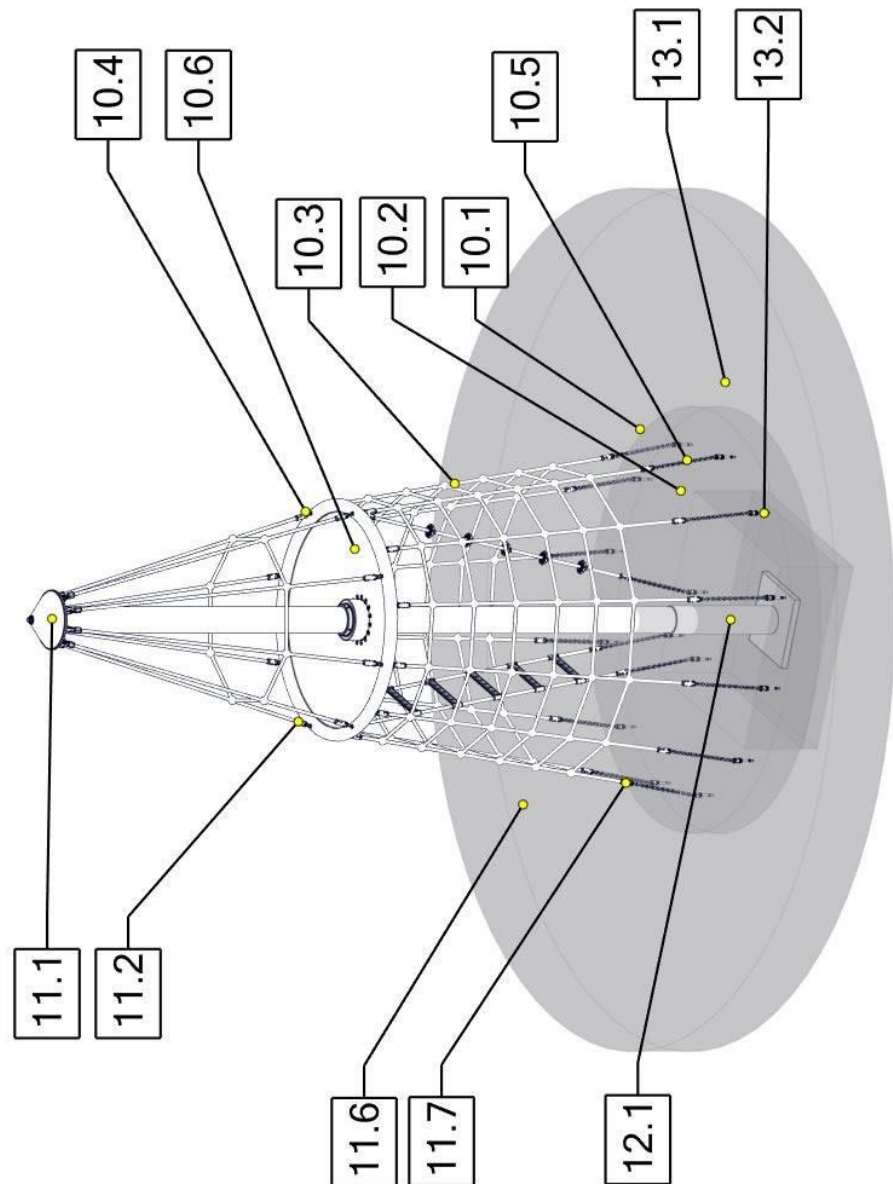
9.1.4 Faults that compromise function



Notice

Faults that compromise function should also be repaired immediately. Such faults lower the value of the equipment to the user and encourage malicious vandalism, which may render the equipment less safe. Any damage should also be repaired immediately.

10 Regular maintainan



Regular maintenance

11 Monthly maintenance

- 11.1 Check the spaces between the equipment and the ground (clearance and height of fall).**
- 11.2 Check the ground surface in the area with fall protection for hard objects and loose foundations.**
- 11.3 Check all connecting elements and fittings for wear and tear and tighten if necessary. Replace damaged or missing parts.**
- 11.4 Check that moving metal parts (joints, springs, etc.) move smoothly and are not worn. Replace if necessary. It is not necessary to lubricate joints as we only use maintenance-free metal roller bearings.**
- 11.5 Check all attachments such as chains, ropes, nets, etc. for damage and replace if necessary.**
- 11.6 Check rubber parts, sleeves, etc. for wear and tear or damage and replace if necessary.**
- 11.7 If necessary, remove excess padding material from the post footings due to danger of rotting.**
- 11.8 Check the surface of wooden parts for damage caused by the weather or external influences and mould. Repair or replace if necessary.**
- 11.9 Check the surface of plastic and metal parts, e.g. slides, for damage and replace if necessary.**

12 Quarterly maintenance

- 12.1 Detailed inspection of the operation and stability of the equipment paying particular attention to any wear and tear.**
 - 12.2 Tighten all forms of attachment.**
 - 12.3 Repaint and retreat surfaces.**
 - 12.4 Maintenance of fall protection surfaces.**
 - 12.5 Lubrication of joints.**
 - 12.6 Check the height of the fall and top up with loose filler if necessary. If the posts are labelled, top up as far as the mark.**
 - 12.7 Retighten all bolts**
-

13 Half yearly maintenance

- 13.1 **Stability (check posts, bracing, foundations, etc.).** Ascertaining whether there are any changes in equipment safety as a result of repairs that have been carried out or components that have been added or replaced.

	<h1>Annual Maintenance</h1>
---	-----------------------------

14 Annual maintenance

- 14.1 **Ascertaining that the equipment, foundations and surfaces are safe for operation.**
- 14.2 **In particular, the equipment should be checked for decay and corrosion. It may be necessary to dig out or excavate certain components in order to do so. Zinc paint should be applied to corroded areas and scratches.**



The equipment must be inspected by someone **with the necessary expertise** in strict compliance with the instructions issued by Huck Seiltechnik GmbH.

A copy of the inspection record should be given to the operator, who must confirm receipt.

15 Maintenance printout

Name of item: Sixt von Armin _____ / Art.-Nr. 4592-10 _____

Location: _____

Customer or operator: _____
 (Town, Town council, Kindergarten)

Date of inspection	Inspector	O.K.	Accessible	Barriered	Defects	Repaired by	Date

Please copy and return once a year after main inspection has been carried out to the manufacturer by Telefax (06443) 83 11 79!
Place the confirmation form in the play equipment files.

16 Hand over document



After the installation of the equipment pass the installation and maintenance documents to the operator. The operator has to receive the hand over documents. The complete filled and signed hand over document should be sent to the supplier.

Art.-No.: 4597-10

Type of item: Sixt von Armin

Serial number:

Customer or operator (Town, Town council, Kindergarten, etc.):

Competent person in charge:

Installation company (address):

Responsible assistant (assembler):

Received the complete assembly instructions, maintenance instructions and maintenance printout .

(Signature of operator) (Signature of installation company)
(Stamp)

Date: _____