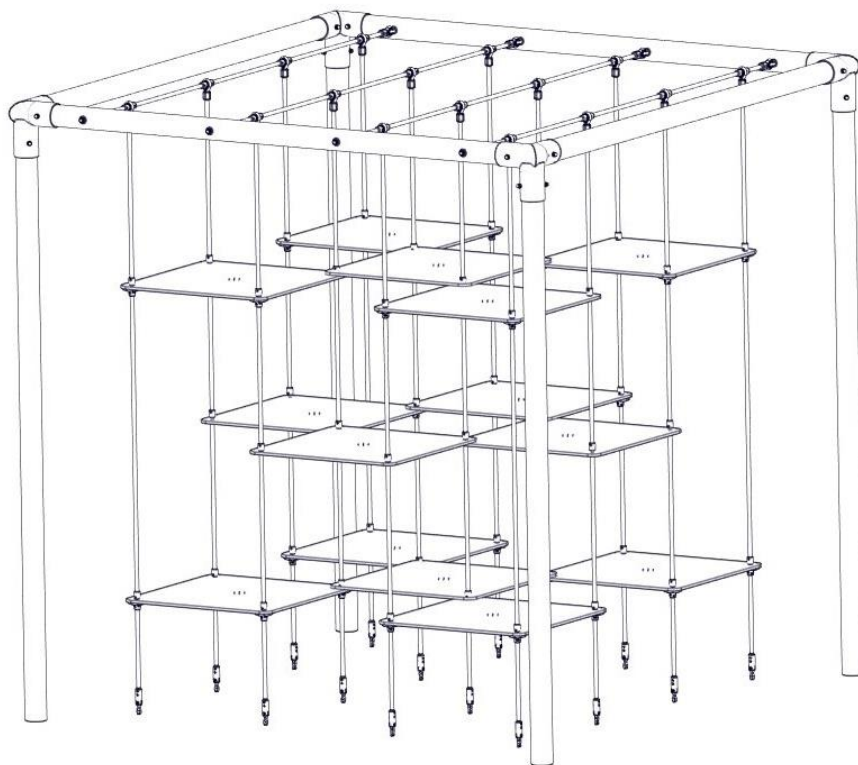


## **A Assembly Instructions** **“Floating mats” Art. No. 4538-10**

**Attention! Only use the assembly instructions included in the scope of delivery for the assembly, installation and maintenance of the respective equipment!**



**Operator:** \_\_\_\_\_

**Location:** \_\_\_\_\_

**Revisionshistorie**

Revision 0 – 2019-05-07

Erste freigegebene Version<sup>1</sup>

Montageanleitung

Revision 3– 2023-01-25 FH

Bohrungen statt Schellen

Alle Rechte vorbehalten

© Copyright 2019 Huck Seiltechnik GmbH

**Please note the explanations and abbreviations and notes.  
For any queries please contact the manufacturer**

## Contents

<b>A</b>	<b>Assembly Instructions “Floating mats” Art. No. 4538-10.....</b>	<b>1</b>
1	Introduction Assembling.....	4
2	Datasheet “Floating mats” Art. No. 4538-10.....	5
3	Delivery contents (parts list with part numbers) .....	7
4	Erection instructions .....	11
5	Post installation checks .....	23
<b>B</b>	<b>Maintenance instructions “Floating mats” Art. No. 4538-10.....</b>	<b>25</b>
6	Introduction Maintenance.....	27
7	General maintenance information .....	28
8	Maintenance timetable.....	30
9	Regular maintenance.....	31
10	Monthly maintenance .....	32
11	Quarterly maintenance .....	32
12	Half yearly maintenance .....	33
13	Annual maintenance.....	33
14	Maintenance printout.....	35
15	Hand over document .....	37

## List of Tables

Tabelle 3-1: Delivery contents, in words.....	7
Tabelle 3-2: Delivery contents, in symbols .....	8

## 1 Introduction Assembling

### 1.1 General information

This equipment should be installed, inspected, maintained and operated in accordance with EN1176-7 guidelines.

**Before installation work commences, please check that you have all of the equipment and fixation components in the parts list provided (see Tables 3-1 and 3-2).**

**Please consider that the installation has to be carried out only on even terrain (max.slope up to 3%).**

Any spare parts that may be required can be obtained directly from your supplier or from Fa. Huck Seiltechnik GmbH

Adress: Huck Seiltechnik GmbH  
Dillerberg 3  
D-35614 Asslar/Berghausen  
Tel. +49 6443 83 11-0  
Fax +49 6443 83 11-79

Please do not hesitate to call your supplier if you have any problems during installation or with any other questions. You can reach us at the following **Tel. +49 6443 83 11- 0**



Following installation, complete assembly instructions, maintenance instructions and a maintenance record must be sent to the operator who must confirm receipt in writing. See the last page of this document.



All nuts and bolts are hot-dip galvanised or stainless steel. One of the characteristics of stainless steel is that uncontrolled cold welding may occur when the nuts are tightened. To prevent this, it is necessary to spray the nuts and bolts with Teflon spray or another similar lubricant.

---

**We hereby confirm that this play equipment has been tested and certified in accordance with the play equipment standard EN 1176-1.**

## 2 Datasheet “Floating mats” Art.-No. 4538-10

- Space requirement: 2.93 m x 2.93 m  
 Safety zone: 5.71 m x 5.71 m  
 Height of equipment: 2.96 m  
 Height of fall: 1.88 m  
 Fall protection area: 30 m<sup>2</sup>
- Required safety surface:

Surface material	Description mm	Minimum thickness of layer mm	Maximum height of fall mm
Topsoil grass			<= 1000
Chipped bark	20 – 80 grain size	300 400	<= 2000 <= 3000
Wood chippings	5 – 30 grain size	300 400	<= 2000 <= 3000
Sand	0,2 – 2 grain size	300 400	<= 2000 <= 3000
Gravel	2 – 8 grain size	300 400	<= 2000 <= 3000
Other ground materials	As recommended by manufacturer		Critical fall height as checked

**Name and overall dimension of the largest component:**

Steel post (4 piece) length 4.00m x 3.2 mm, Ø 102 mm

**Name and weight of the heaviest component:**

Play component (4 piece), approx. 139 kg

**Intended age group:** 3 years and over



**Please note that this equipment is set in concrete.**

Concrete: C25/30

Required concrete: 5.3 m<sup>3</sup>

Attention

Foundations/area to be excavated:

excavated (All foundations must be brought to equal level!)

4 x 1.00 m long x 1.00 m wide, total depth 1.25 m including 10 cm drainage

1 x 2.40 m long x 2.40 m wide, total depth 0.80 m including 10 cm drainage



Attention

**Foundation edges must be rounded off (min.R = 100 mm)!**

**Sizes of foundations are designed for soils class “4-5” (natural ground).**

**Soil class 3:** Non-cohesive to low-cohesive plasticity, sand, gravel and sand-gravel-mixtures, with very low portion of stones portion of stones (portion > 30% with bigger dia-meter of 63 mm grain size)

**Soil class 4:** soft to medium plasticity, interleave bound, with minor portion of stone (portion < 30% with bigger diameter of 63 mm grain size)

**Soil class 5:** **Soil class 5:** ground with soil class 3 and 4 with big portion of stones (portion > 30% with bigger diameter of 63 mm grain size)

**IN CASE OF SANDY AND SOFT SOILS, THE SURFACE DIMENSIONS OF FOUNDATIONS HAVE TO BE ENLARGED FOR ABOUT 50%!.**

**Assembly time, once foundations complete:** 4 hours.

**Required assistance:** 2 persons.

**Required tools:** wheel excavator, spirit level, ladder approx. 3 m long, bolt cutter, various wrenches and screwdriver.

**Any spare parts which may be required can be obtained directly from your supplier or from Fa.Huck Seiltechnik GmbH**

**Adress:** Huck Seiltechnik GmbH  
 Dillerberg 3  
 D-35614 Asslar/Berghausen  
 Tel. +49 6443 8311-0  
 Fax +49 6443 8311-79

**We hereby confirm that this item of play equipment has been tested and certified in accordance with the play equipment standard EN 1176-1.**

## **Drawings / Views**

All optical drawings are showing only the measurements/dimensions and are no mandatory technical views of the complete item.

We reserve the right to change technical details of our articles which are serving for the further development of our articles and are reasonable for the customer.

## **Measurement tolerances**

Because of the properties and characteristics of the components, minor measurement tolerances compared to the indication on the sketches are possible.

This concerns all shown measurements except the foundation measurements resp. measurements below upper edge ground level/play area.

### 3 Delivery contents (parts list with part numbers)

#### 3.1. In words

Table 3-1: Delivery contents, in words

Pos.	Quantity	Element / Description	Size	O.K.	Missing
1	4	Steel post	Ø 101,6 mm x 3,2 mm, 4,00 m lg.		
2	2	Steel post	Ø 101,6 mm x 3,2 mm, 2,70 m lg.		
2a	2	Steel post (without drilling)	Ø 101,6 mm x 3,2 mm		
3	4	Pipe socket	Ø 114,3 mm x 5 mm		
4	8	clamps	for mesh fastening		
5	4	clamps	with 2 nuts M10 u. Thread bar 150 mm long		
6	16	Heavy duty anchor	M12		
7	16	Chain adapter VA	M12		
8	1	Suspension mats	(Game part)		
9	16	Allen screws	M6 x 20 mm		
10	16	Stop nut	M6		
11	12	Grub screw	M10 x 140 mm		
12	24	Cap nut	M10 VA		
13	3	Loctite	3 ml.		
14	24	Washers	for M10		
15	8	Washers	for M12		
16	8	Cap nut	M12 VA		

### 3.2. In symbols

Table 3-2: Delivery contents, in symbols


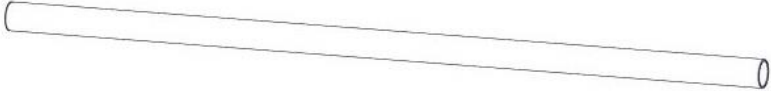
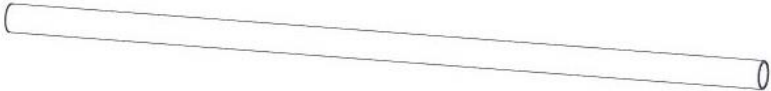
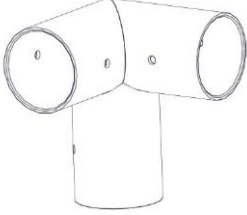
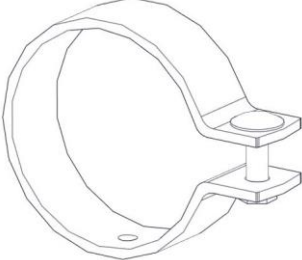
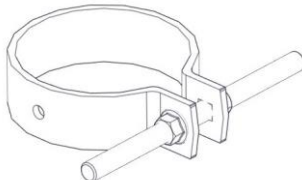
Pos.	Quantity	Symbol
1	4	 <p>Steel post 4,00 m x 3,2 mm</p>
2	2	 <p>Steel post 2,70 m x 3,2 mm</p>
2a	2	 <p>Steel post 2,70 m x 3,2 mm without drilling</p>
3	4	 <p>Pipe socket Ø 114,3 mm x 5 mm</p>
4	8	 <p>Clamps</p>
5	4	 <p>clamps</p>



Table 3-2: Delivery contents, in symbols

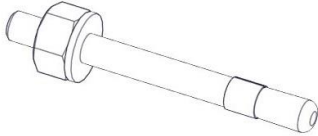
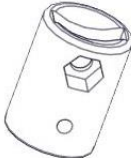
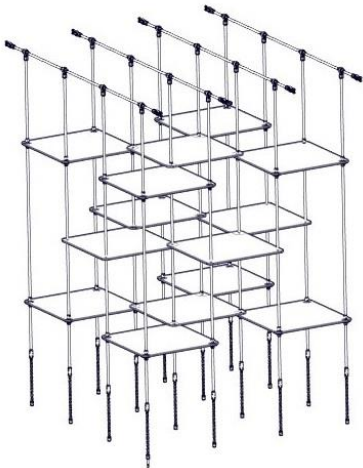
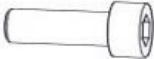


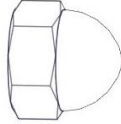


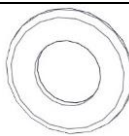
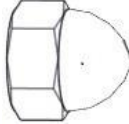
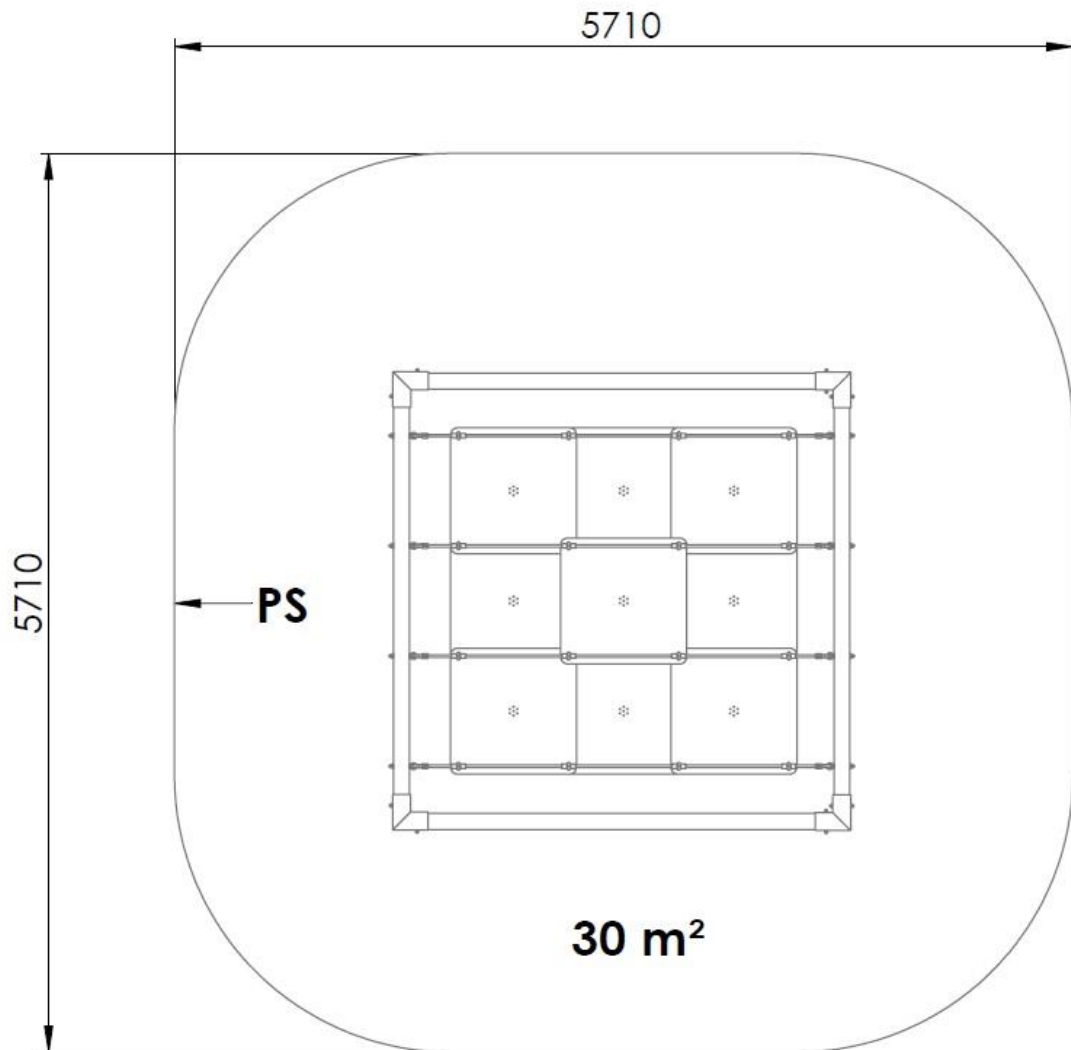
Pos.	Quantity	Symbol
6	16	 Heavy duty anchor M12
7	16	 Chain adapter VA M12
8	1	 Suspension mats
9	16	 Allen screws M6 x 20 mm
10	16	 Stop nut M6
11	12	 Grub screw M10 x 140 mm

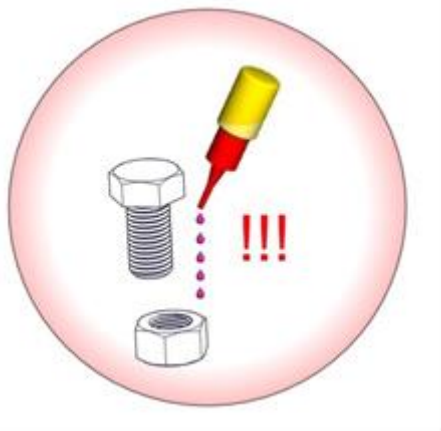
Table 3-2: Delivery contents, in symbols

Pos.	Quantity	Symbol
12	24	 Cap nut M10 VA
13	3	 Loctite
14	24	 Washers M10 VA
15	8	 Washers M12 VA
16	8	 Cap nut M12 VA

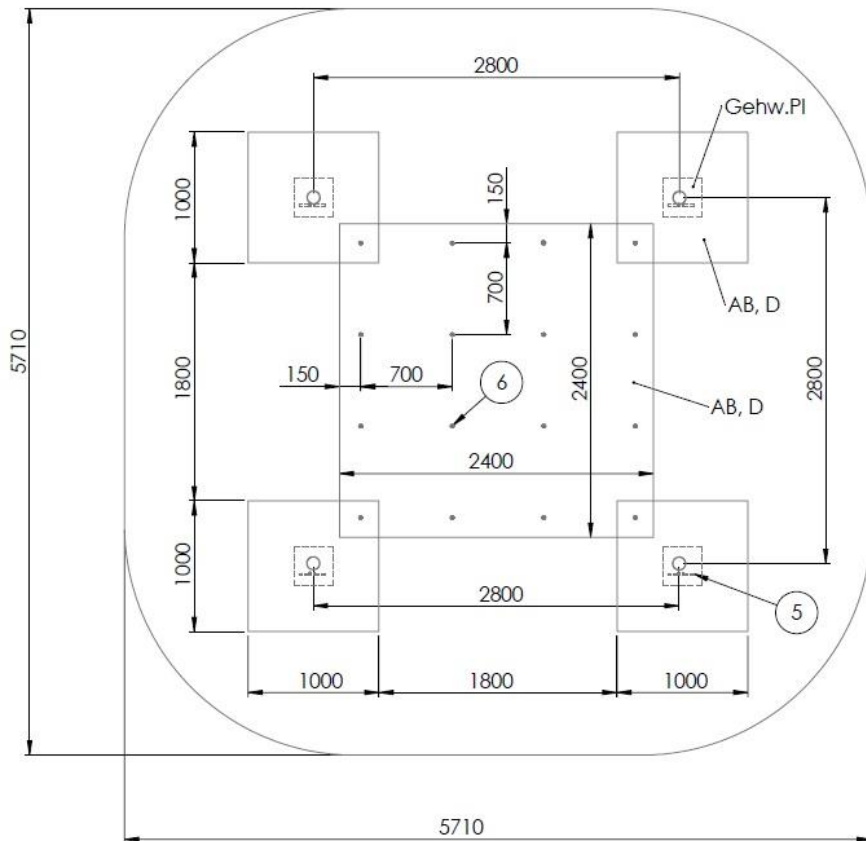
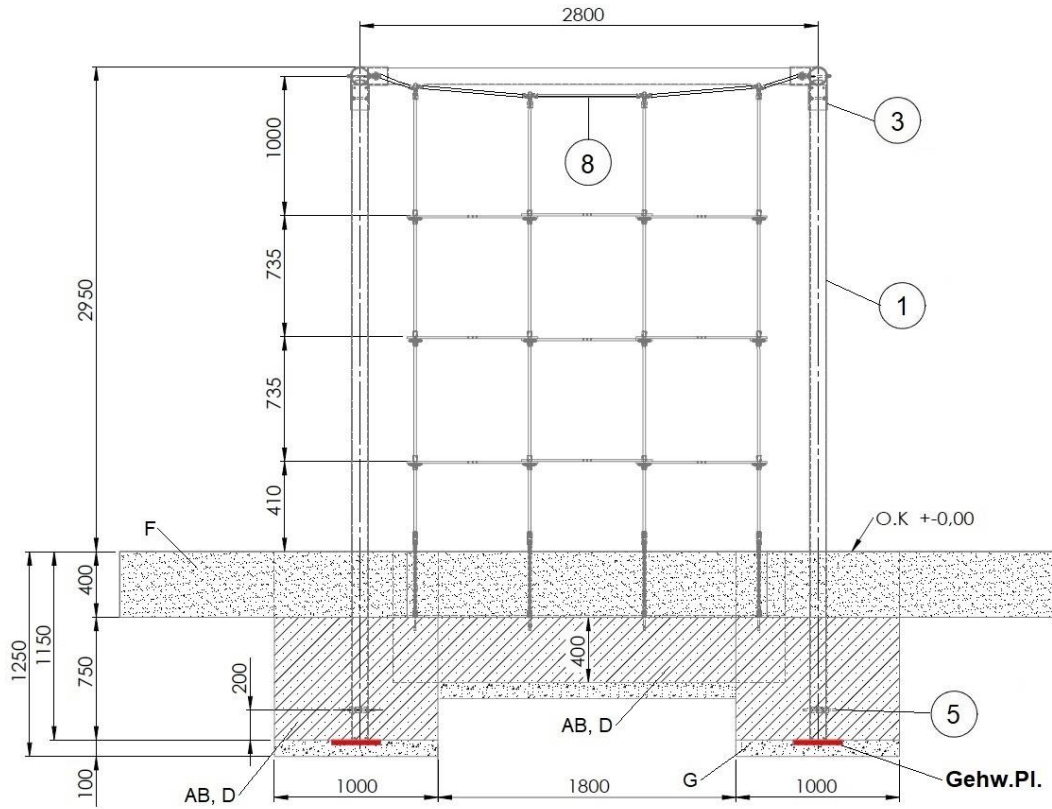
## 4 Erection instructions

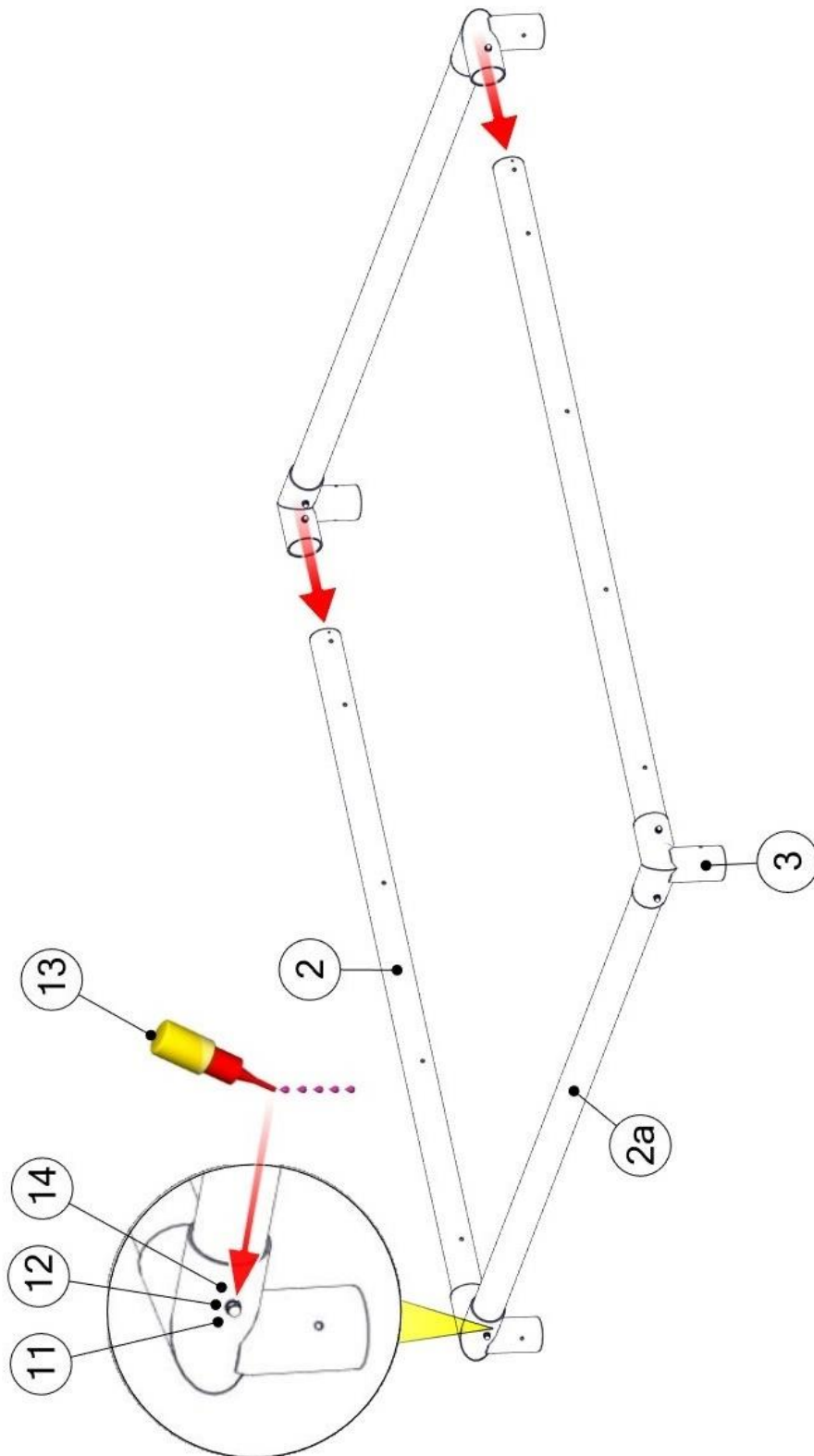


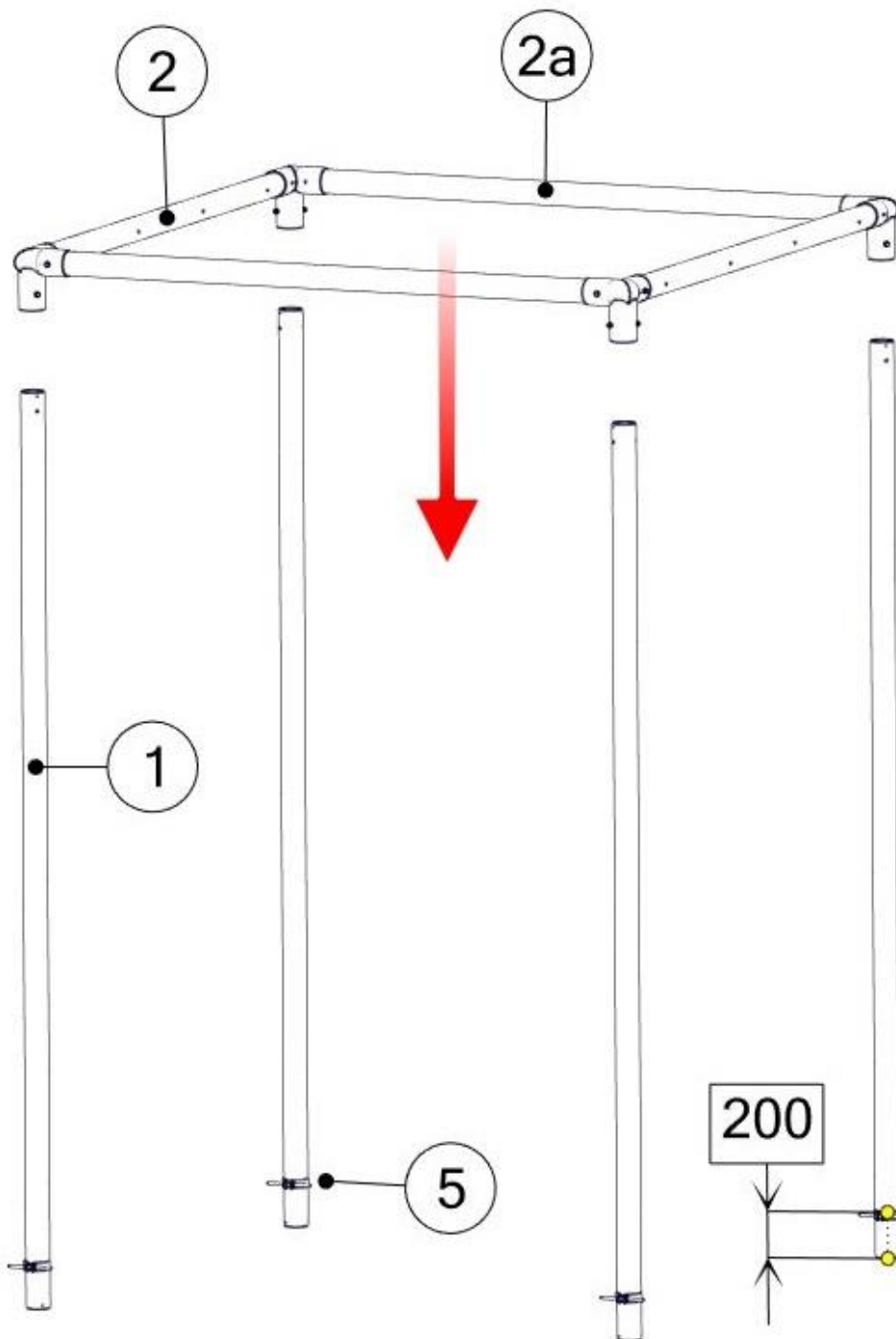
## **Screw locking device!**

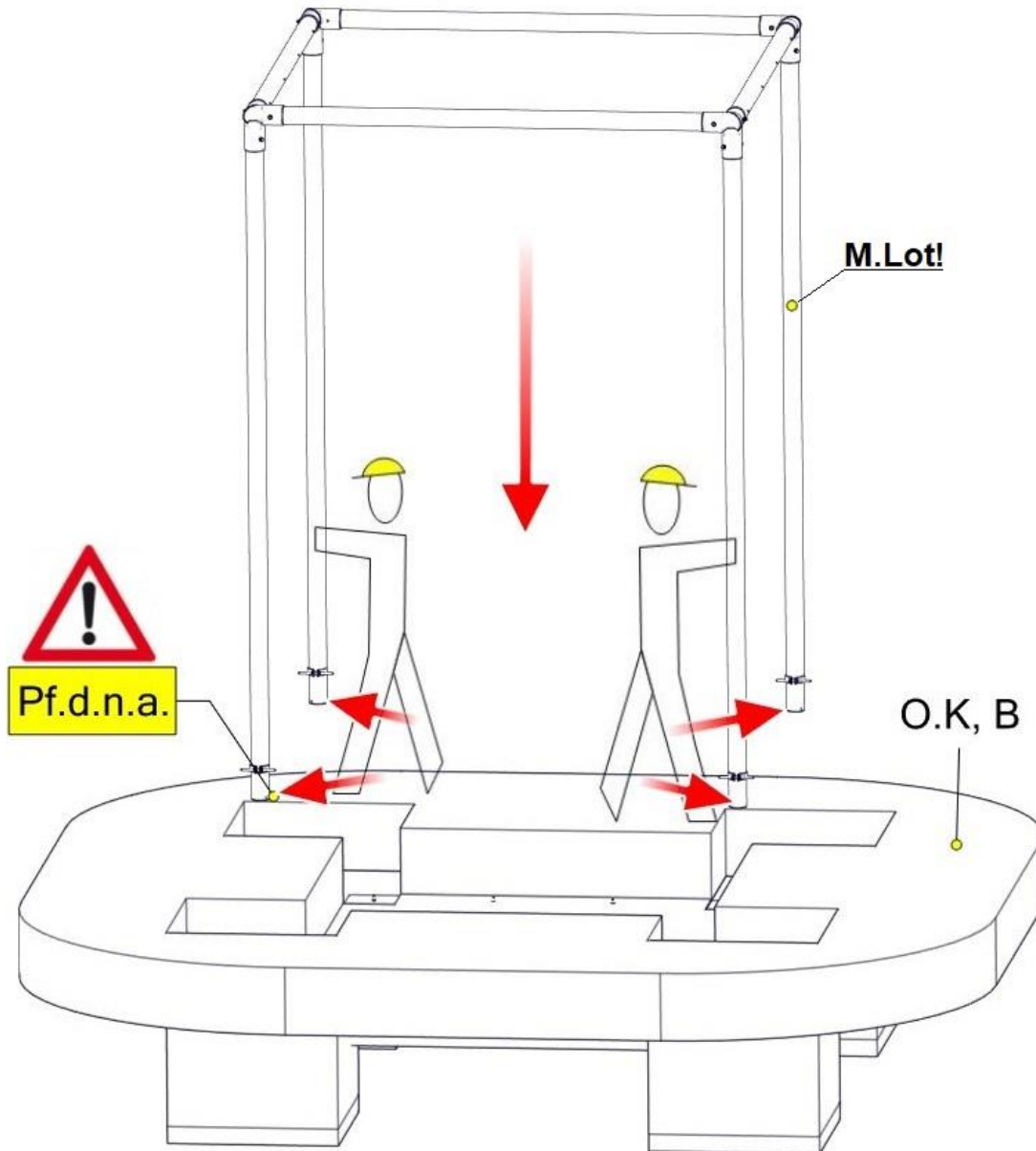


**glue all screws, nuts and sleeves with loctite.  
(not less than 5 drops!)  
(except for lock nut)**

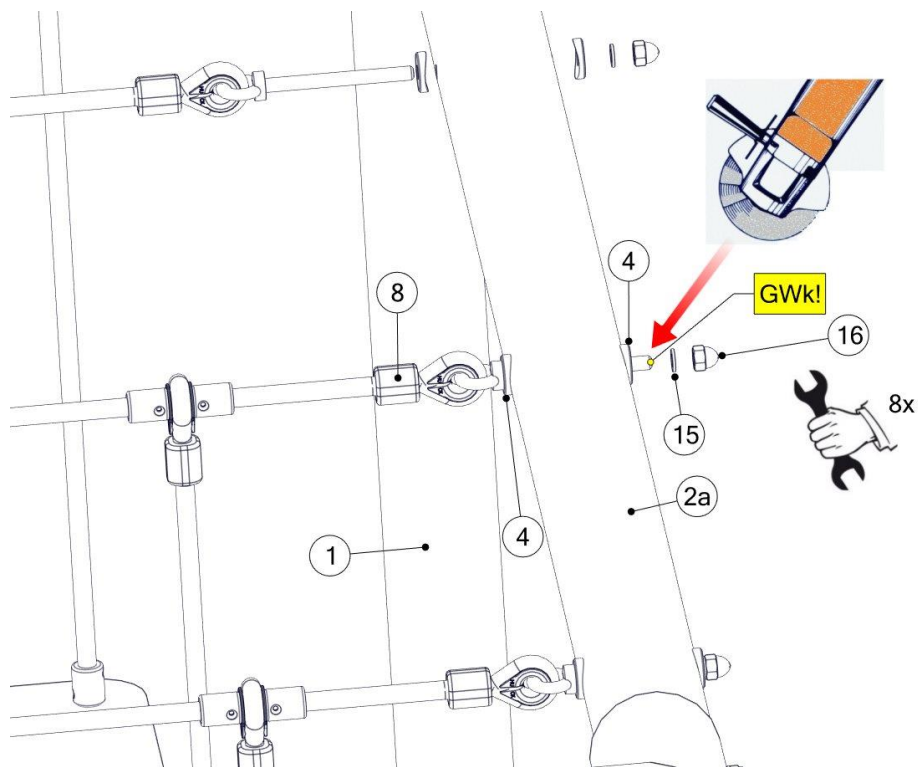
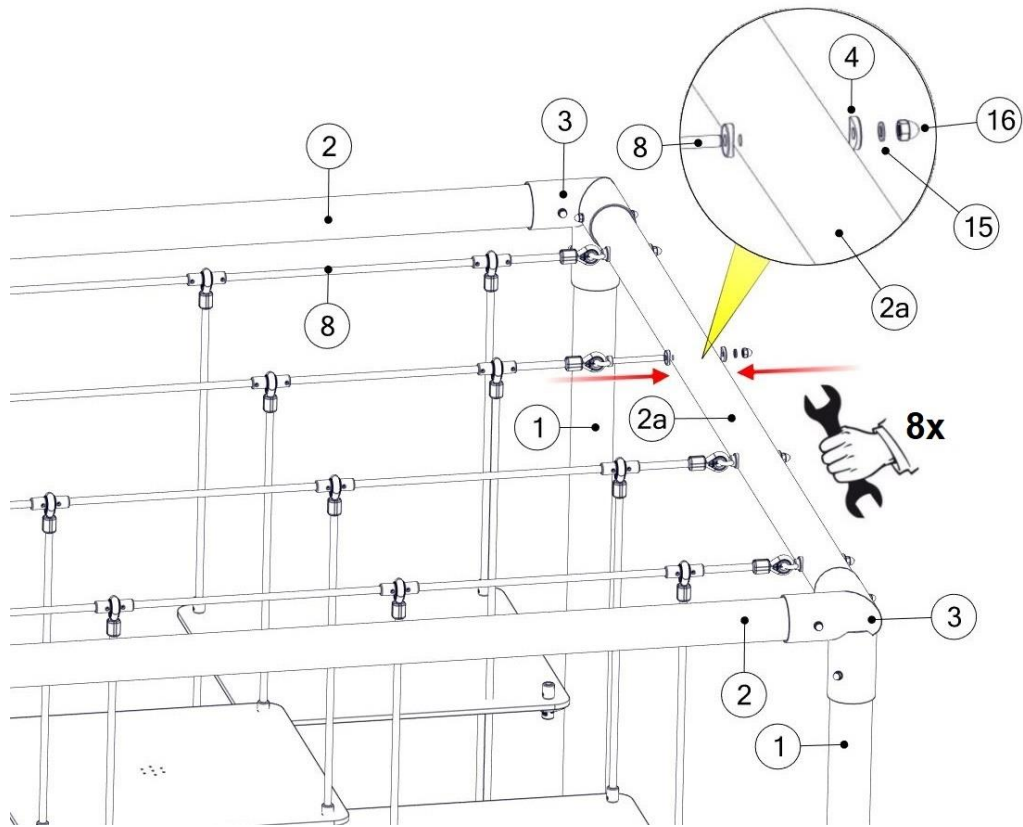


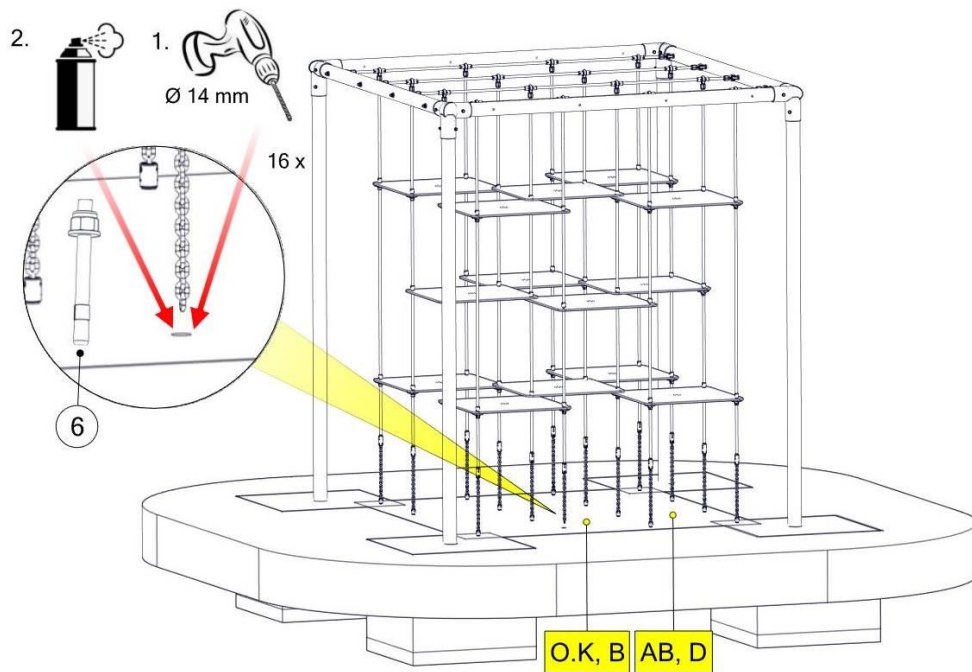
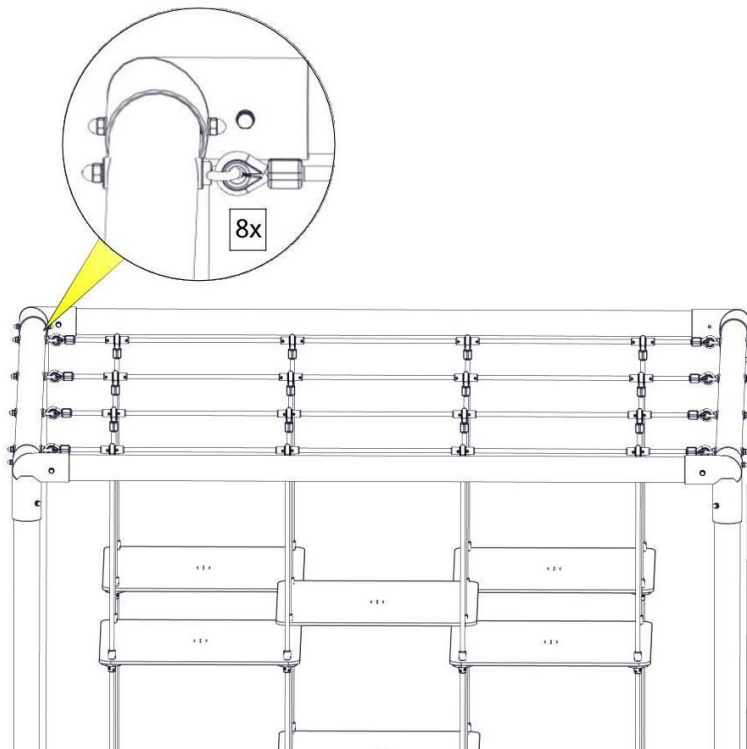


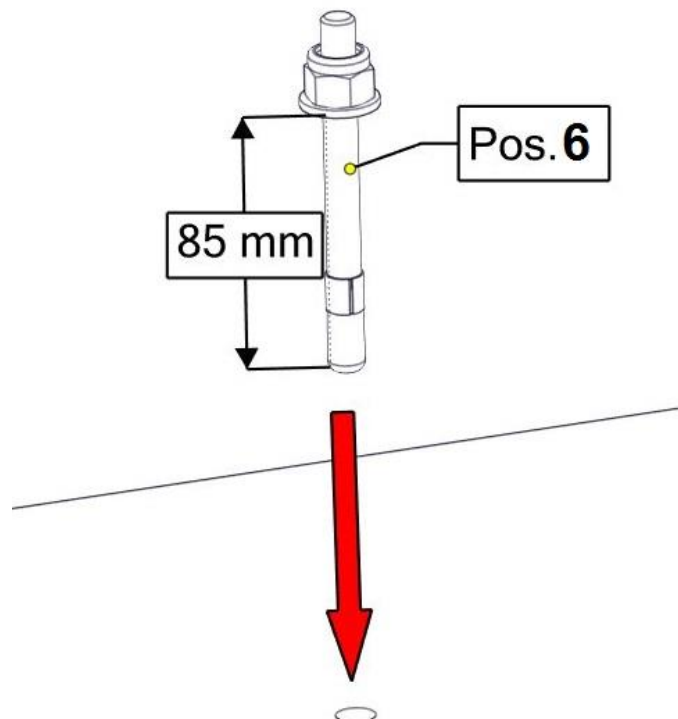
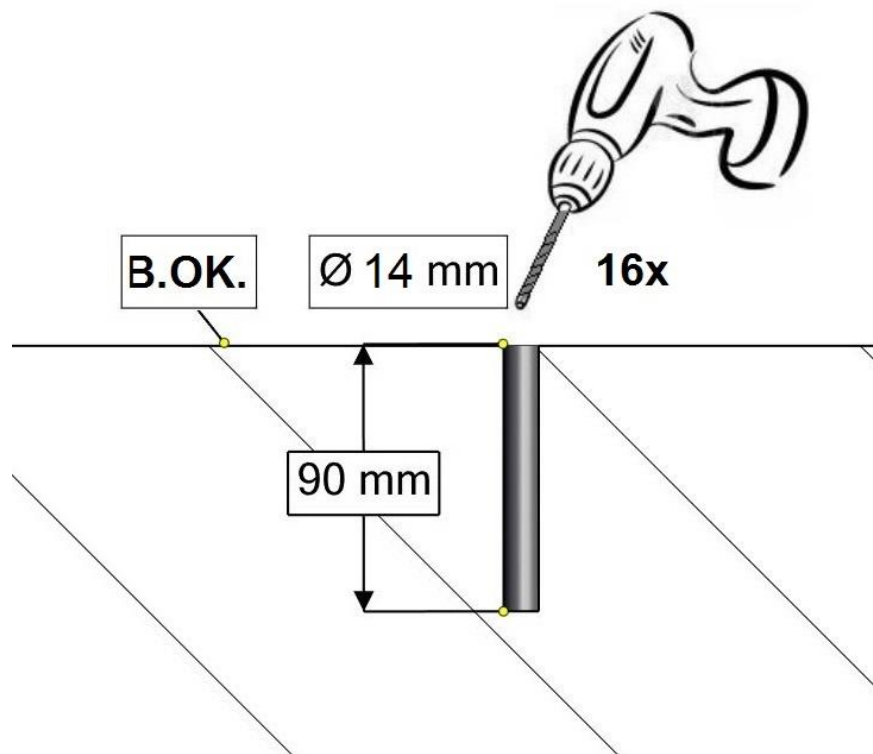


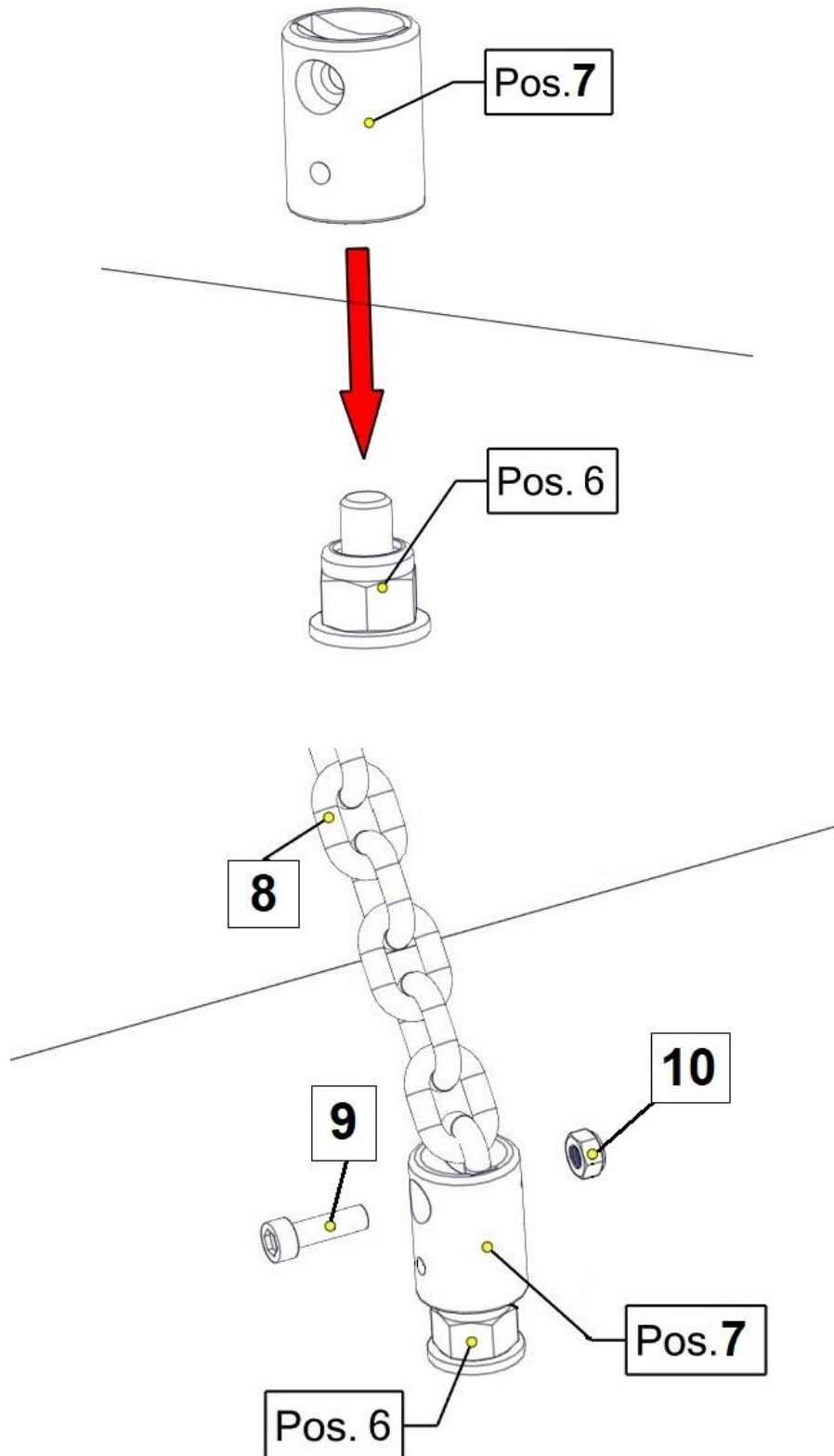


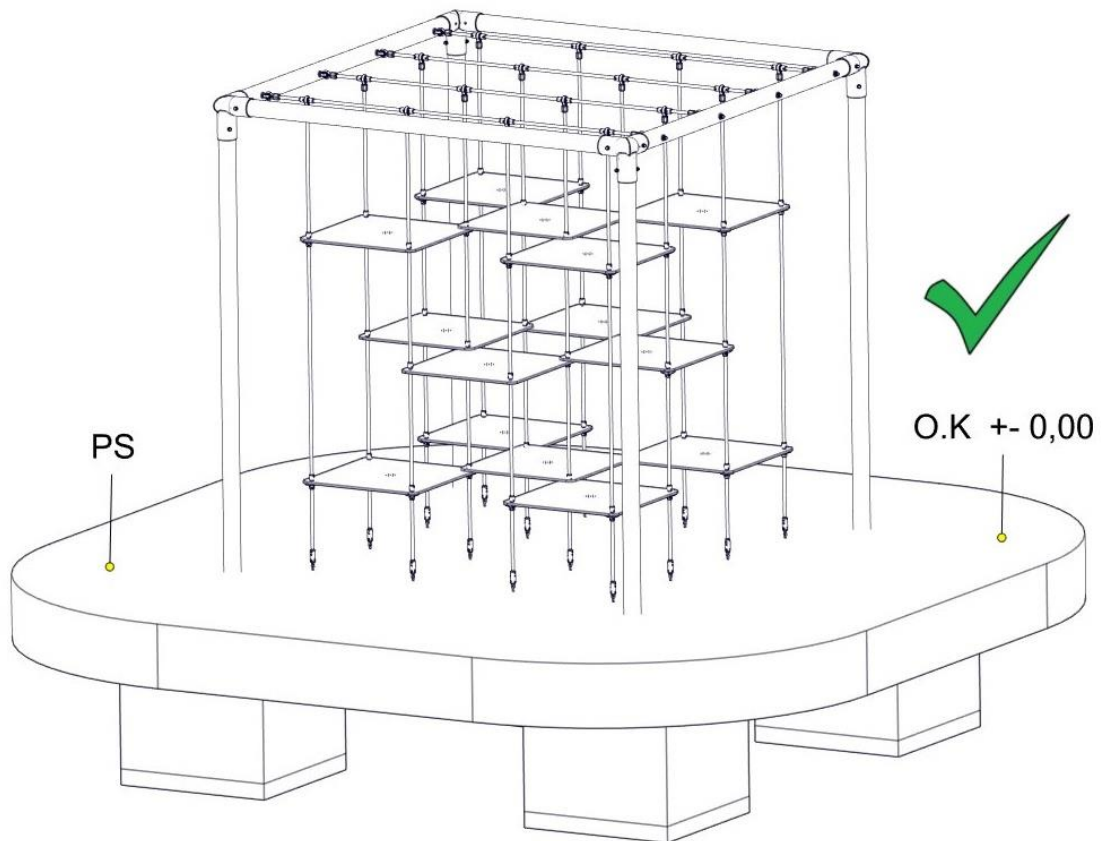














	<b>Explanations of abbreviations and symbols :</b> <b>Version: "Floating mats" Art. No. 4538-10</b>
<b>A</b>	View
<b>AB</b>	The legal setting times of concrete must be observed
<b>D</b>	Concrete C25/30 (for foundations)
<b>G</b>	Drainage
<b>GWk!</b>	Shorten the threaded rod if necessary!
<b>Gehw.Pl.</b> 	Sidewalk flagstone (by the customer)! Upper edge – drainage (see drawing)
<b>F</b>	Fall protection
<b>O.K</b>	Upper edge of playing level
<b>B, O.K</b>	Upper edge of foundation
<b>PS</b>	Impact area 31.2m <sup>2</sup>
<b>Pf.d.n.a.</b>	Push the post diagonally outwards / place in the pit and fill up with concrete.
<b>M.Lot !!</b>	Steel posts must be erected vertically with with plumb-line accuracy
	<p><b><u>Sizes of foundations are designed for soils class "4-5" (natural ground).</u></b></p> <p><b><u>Soil class 3:</u></b> Non-cohesive to low-cohesive plasticity, sand, gravel and sand-gravel-mixtures, with very low portion of stones portion of stones (portion &gt; 30% with bigger diameter of 63 mm grain size)</p> <p><b><u>Soil class 4:</u></b> soft to medium plasticity, interleave bound, with minor portion of stone (portion &lt; 30% with bigger diameter of 63 mm grain size)</p> <p><b><u>Soil class 5:</u></b> <u>Soil class 5:</u> ground with soil class 3 and 4 with big portion of stones (portion &gt; 30% with bigger diameter of 63 mm grain size)</p> <p><b><u>IN CASE OF SANDY AND SOFT SOILS, THE SURFACE DIMENSIONS OF FOUNDATIONS HAVE TO BE ENLARGED FOR ABOUT 50%!.</u></b></p>

See drawings for details!

---

## 5 Post installation checks

---



### Notice

If the equipment has not been installed safely, you must ensure that the public is prevented from using it.

---

### 5.1 Marking filler depth

Labelling the posts to show the depth of material provided as fall protection (i.e. loose filler).

### 5.2 The equipment has not been installed safely in the following cases:

- Safe equipment installation is not complete.
- The protective surface has not been installed yet.
- Appropriate maintenance work cannot guarantee operational safety.

### 5.3 Removal of all assembly aids

Please make sure that all assembly aids have been removed from the playing area. The equipment must not be approved for use until this check has been made.

### 5.4 Information about inspection of the equipment before it is used for the first time

There are no special inspection requirements to be met before the equipment is used for the first time.

### 5.5 Retighten bolts

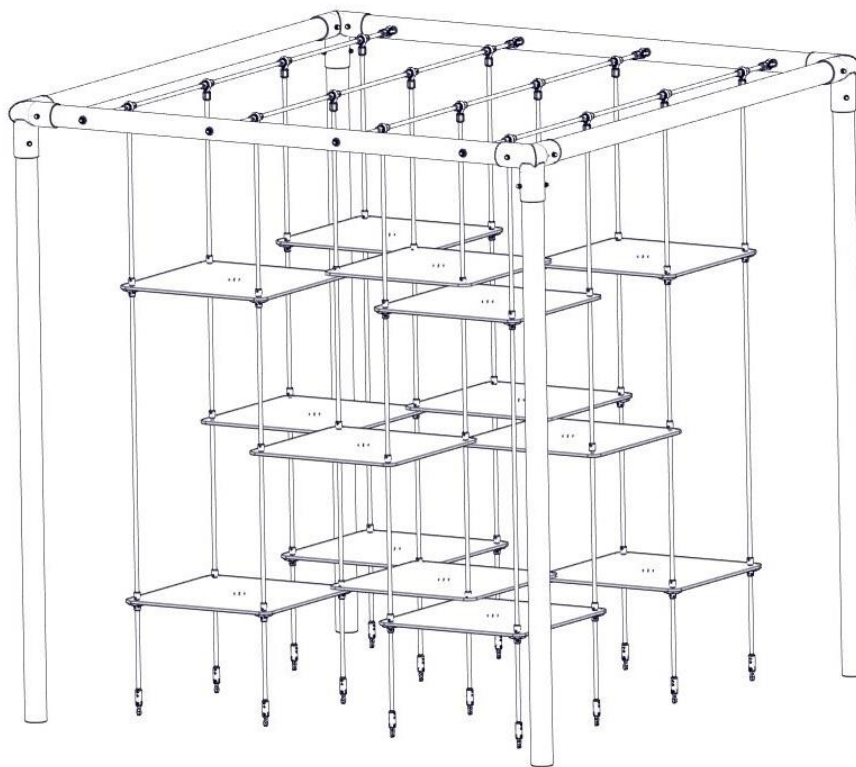
After one week of play, please retighten all bolts again. Later upon respective maintenance.

.





## **B Maintenance instructions** **“Floating mats” Art.-No. 4538-10**



**Revisionshistorie**

Revision 0 – 2019-01-30

Erste freigegebene Version

Revision 3 – 2023-01-24 FH

neue Form der Anleitung

Wartungsanleitung

Alle Rechte vorbehalten

© Copyright 2019 Huck Seiltechnik GmbH

---

## 6 Introduction Maintenance

### 6.1 General informations

This equipment should be installed, inspected, maintained and operated in accordance with EN 1176-7 guidelines.



#### Notice

**Please note:** Providing any necessary repairs are carried out, a piece of play equipment that is inspected regularly cannot become so damaged that it is dangerous.

---

Any spare parts which may be required can be obtained directly from your supplier or from Fa. Huck Seiltechnik GmbH

Adress: Huck Seiltechnik GmbH  
Dillerberg 3  
D-35614 Asslar/Berghausen  
Tel. +49 6443 83 11-0  
Fax +49 6443 83 11-79



#### Attention

This equipment should only be assembled, maintained and repaired by **persons with the necessary expertise.**

**A copy of the inspection record should be given to the operator, who must confirm receipt.**

---

**This maintenance instruction is based on the standard  
“EN 1176-1”.**

## **7 General maintenance information**

### **7.1 Maintenance intervals**

Maintenance intervals are based on average use. Please note that more frequent inspections and/or maintenance are required if the play equipment is subject to intensive use.

### **7.2 Inspection frequency**

The frequency of inspections must be based on actual use. Factors that affect frequency include vandalism, location (e.g. coastal proximity), air pollution and the age of the equipment.

### **7.3 Maintenance products and procedures**

All nuts and bolts are hot-dip galvanised or stainless steel. One of the characteristics of stainless steel is that uncontrolled cold welding may occur when the nuts are tightened. To prevent this, it is necessary to spray the nuts and bolts with Teflon spray or another similar lubricant.

### **7.4 Spare parts**

All spare parts must conform to the manufacturer's specifications.

### **7.5 Identifying spare parts**

All spare parts are listed in the parts list. The parts list follows the installation requirements.

### **7.6 Special instructions for the disposal of individual equipment components**

No special instructions are necessary for the disposal of individual equipment components.

### **7.7 Special measures during the break-in period**

No later than 2 weeks after assembly, all screwed connections should be checked and tightened if necessary.

### **7.8 Drain openings**

All drain holes must be kept clear.

### **7.9 Maintenance of protective surfaces**

Surfaces providing fall protection must also be maintained regularly. It is particularly important to maintain the correct level of loose surface material and add more if necessary.

---

## 7.10 Faults

---



Faults must be repaired as soon as they are detected. If serious defects that compromise safety cannot be repaired straight away, the public must be prevented from using the equipment with immediate effect.

---

## 7.11 Loose screws

---



Loose screws always cause quality problems and put safety at risk. Therefore, loose screws should always be tightened and checks carried out to ensure that there are no missing screws (e.g. look out for holes you can see through).

---

## 7.12 Preventing equipment use

Use of the equipment should be prevented in the event of incomplete installation, disassembly, maintenance, repairs and faults.

## 7.13 Claims/liability for faults

Steel posts and footings are guaranteed if regular maintenance is carried out and recorded in writing. Our general terms and conditions apply. Maintenance first takes place after 3 years. The steel posts must be excavated as far as the concrete foundations and checked for corrosion.

Zinc paint should be applied to any corroded areas and scratches. Check ropes for abrasion. Retreat any that are very worn.

## **8 Maintenance timetable**

### **8.1 Special advices**

#### **8.1.1 Maintenance interval**

We strongly advise you to carry out inspections and maintenance work within the specified periods as use of the equipment, the weather and malicious vandalism cause wear and tear that compromises the safety and function of the equipment.

#### **8.1.2 Maintenance intervals in the event of intensive use**

Please note that more frequent inspections and/or maintenance are required if the play equipment is subject to intensive use.

#### **8.1.3 Faults that compromise safety**

---



**Notice**

In the event of a fault that compromises safety, quick action must be taken. This may involve repairing it immediately or shutting down and dismantling the equipment.

---

#### **8.1.4 Faults that compromise function**

---

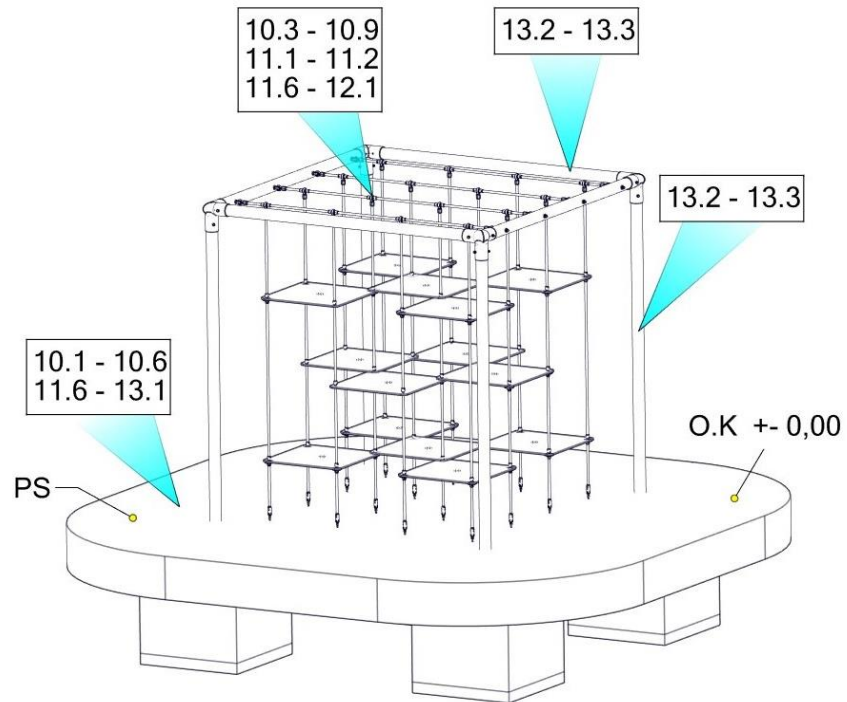


**Notice**

Faults that compromise function should also be repaired immediately. Such faults lower the value of the equipment to the user and encourage malicious vandalism, which may render the equipment less safe. Any damage should also be repaired immediately.

---

## 9 Regular maintenance



## **Regular maintenance**

### **10 Monthly maintenance**

- 10.1 Check the spaces between the equipment and the ground (clearance and height of fall).**
- 10.2 Check the ground surface in the area with fall protection for hard objects and loose foundations.**
- 10.3 Check all connecting elements and fittings for wear and tear and tighten if necessary. Replace damaged or missing parts.**
- 10.4 Check that moving metal parts (joints, springs, etc.) move smoothly and are not worn. Replace if necessary. It is not necessary to lubricate joints as we only use maintenance-free metal roller bearings.**
- 10.5 Check all attachments such as chains, ropes, nets, etc. for damage and replace if necessary.**
- 10.6 Check rubber parts, sleeves, etc. for wear and tear or damage and replace if necessary.**
- 10.7 If necessary, remove excess padding material from the post footings due to danger of rotting.**
- 10.8 Check the surface of wooden parts for damage caused by the weather or external influences and mould. Repair or replace if necessary.**
- 10.9 Check the surface of plastic and metal parts, e.g. slides, for damage and replace if necessary.**

### **11 Quarterly maintenance**

- 11.1 Detailed inspection of the operation and stability of the equipment paying particular attention to any wear and tear.**
- 11.2 Tighten all forms of attachment.**
- 11.3 Repaint and retreat surfaces.**
- 11.4 Maintenance of fall protection surfaces.**
- 11.5 Lubrication of joints.**
- 11.6 Check the height of the fall and top up with loose filler if necessary. If the posts are labelled, top up as far as the mark.**
- 11.7 Retighten all bolts**



## 12 Half yearly maintenance

- 12.1 **Stability (check posts, bracing, foundations, etc.).** Ascertaining whether there are any changes in equipment safety as a result of repairs that have been carried out or components that have been added or replaced.



## 13 Annual maintenance

- 13.1 **Ascertaining that the equipment, foundations and surfaces are safe for operation.**
- 13.2 **In particular, the equipment should be checked for decay and corrosion. It may be necessary to dig out or excavate certain components in order to do so. Zinc paint should be applied to corroded areas and scratches.**



The equipment must be inspected by someone **with the necessary expertise** in strict compliance with the instructions issued by Huck Seiltechnik GmbH.

**A copy of the inspection record should be given to the operator, who must confirm receipt.**



## 14 Maintenance printout

Name of item: "Floating mats" \_\_\_\_\_ / Art.-No. 4538-10 \_\_\_\_\_

Location: \_\_\_\_\_

Customer or operator: \_\_\_\_\_  
 (Town, Town council, Kindergarten)

Date of inspection	Inspector	O.K.	Accessible	Barrierred	Defects	Repaired by	Date

**Please copy and return once a year after main inspection has been carried out to the manufacturer by Telefax +49 6443 83 11-79  
 Place the confirmation form in your existing play equipment files.**



## 15 Hand over document



After the installation of the equipment pass the installation and maintenance documents to the operator. The operator has to receive the hand over documents. The complete filled and signed hand over document should be sent to the supplier Huck Seiltechnik GmbH per Telefax +49 6443 8311-79

Art.-No.: 4538-10  
Type of item: "Floating mats"  
Serial number: \_\_\_\_\_

**Customer or operator (Town, Town council, Kindergarten, etc.):**

\_\_\_\_\_  
\_\_\_\_\_

Competent person in charge:

\_\_\_\_\_  
\_\_\_\_\_

**Installation company (address):**

\_\_\_\_\_  
\_\_\_\_\_

Responsible assistant (assembler):

\_\_\_\_\_  
\_\_\_\_\_

Received the complete assembly instructions, maintenance instructions and maintenance printout,

(Signature of operator)  
(Stamp)

(Signature of installation company)

Date: \_\_\_\_\_