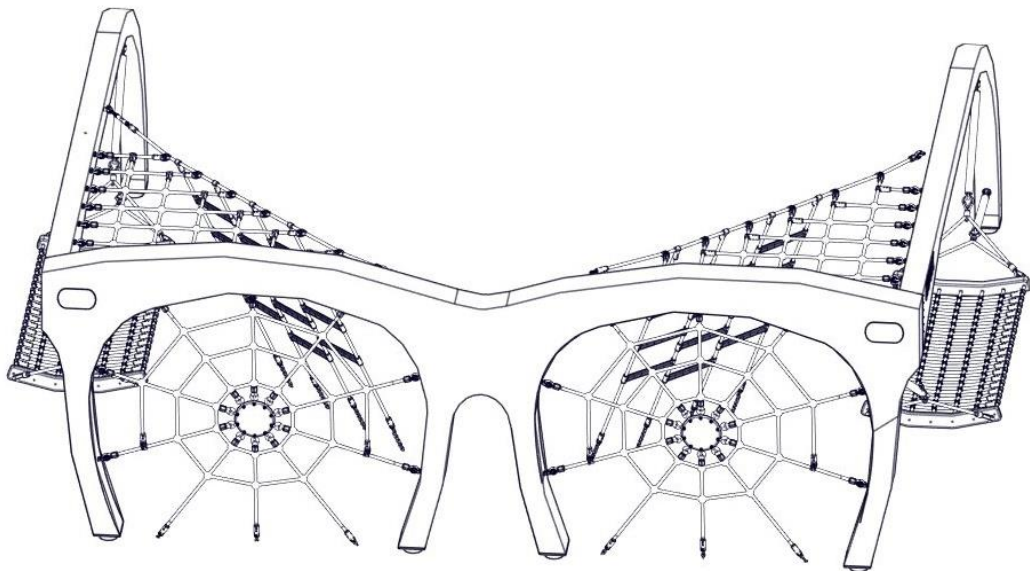


A Assembly instructions **Glasses frame, Art. 4580-5K**

Attention! Only use the assembly instructions included in the scope of delivery for the assembly, installation and maintenance of the respective equipment!



Operator: _____

Location: _____

Revision history

Erste freigegebene Version

Montageanleitung

Revision 0– 2022-01-25

Alle Rechte vorbehalten

© Copyright 2022 Huck Seiltechnik GmbH

Contents

A	Assembly instructions Glasses frame, Art. 4580-5K	1
1	Introduction Assembling	4
2	Datasheet Glasses frame, Article 4643-3B.....	5
3	Delivery contents (parts list with part numbers).....	7
4	Erection instructions	12
5	Post installation checks.....	21
B	Maintenance instructions Glasses frame, Art. 4580-5K	23
6	Instruction Maintenance	25
7	General maintenance information	26
8	Maintenance timetable	28
9	Regular maintenance	29
10	Monthly maintenance	30
11	Quarterly maintenance.....	30
12	Annual maintenance.....	31
13	Maintenance printout	33
14	Hand over document	35

List of Tables

Table 3-1: Delivery contents, in words	7
Table 3-2: Delivery contents, in symbols	8

1 Introduction Assembling

1.1 General information

This equipment should be installed, inspected, maintained and operated in accordance with EN1176-7 guidelines.

Before installation work commences, please check that you have all of the equipment and fixation components in the parts list provided (see Tables 3-1 and 3-2).

Please consider that the installation has to be carried out only on even terrain (max.slope up to 3%).

Any spare parts that may be required can be obtained directly from your supplier.

Please do not hesitate to call your supplier if you have any problems during installation or in case of any other questions.



Attention

Following installation, complete assembly instructions, maintenance instructions and a maintenance record must be sent to the operator who must confirm receipt in writing. See the last page of this document.



Attention

All nuts and bolts are hot-dip galvanised or stainless steel.

One of the characteristics of stainless steel is that uncontrolled cold welding may occur when the nuts are tightened. To prevent this, it is necessary to spray the nuts and bolts with Teflon spray or another similar lubricant.

We hereby confirm that this play equipment has been tested and certified in accordance with the play equipment standard EN 1176.

2 Datasheet Glasses frame, Article 4643-3B

1. Equipment room: 6.25 m x 4.25 m
 Assembly area: 9.25 m x 8.25 m
 Safety area: 8,255 m x 9,225 m
 Equipment height: 2.00 m
 Fall height: 2.03 m
 Fall protection area: 68,2 m² Required safety surface:

Surface material	Description mm	Minimum thickness of layer mm	Maximum height of fall mm
Topsoil grass			<= 1000*
Chipped bark	20 – 80 grain size	300/400	<= 2000/3000
Wood chippings	5 – 30 grain size	300/400	<= 2000/3000
Sand	0.2 – 2 grain size	300/400	<= 2000/3000
Gravel	2 – 8 grain size	300/400	<= 2000/3000
Other ground materials	As recommended by manufacturer		

2. Name and overall dimension of the largest component:
 Glasses frame 4.935 x 6.255 m
3. Name and weight of the heaviest component:
 Glasses frame (complete), approx. 950 kg
4. Intended age group: 6 years and over
5. **Please note that this equipment is set in concrete.**
 Concrete: C25/30
 Required concrete: approx. 6,3 m³

Foundations/area to be excavated:
1 x 1.00 m x 5.40 m x 0.80 m (height)
 total depth 1.10 m including 10 cm drainage
2 x 1.00 m x 1.00 m x 0.80 m (height)
 total depth 1.10 m including 10 cm drainage
2 x 1.00 m x 0.30 m x 1.50 m (height)
 total depth 0.90 m including 10 cm drainage
 Top edge of concrete 40 cm below ground level



Round off foundation edges (min.R = 100 mm)! Sizes of foundations are “4-5” (natural ground).

Soil class 4: soft to medium plasticity, interleave bound, with minor portion of stone (portion < 30% with bigger diameter of 63 mm grain size).

Soil class 5 : ground with soil class 3 and 4 with big portion of stones (portion > 30% with bigger diameter of 63 mm grain size).

In case of sandy and soft soils, the surface measure of foundations have to be enlarged for about 50%!

6. Assembly time, once foundations complete: approx. 4 hours.
Required assistance: 3 people.
7. Any spare parts which may be required can be obtained directly from your supplier
8. **We hereby confirm that this item of play equipment has been tested and certified in accordance with the play equipment standard EN 1176.**

3 Delivery contents (parts list with part numbers)

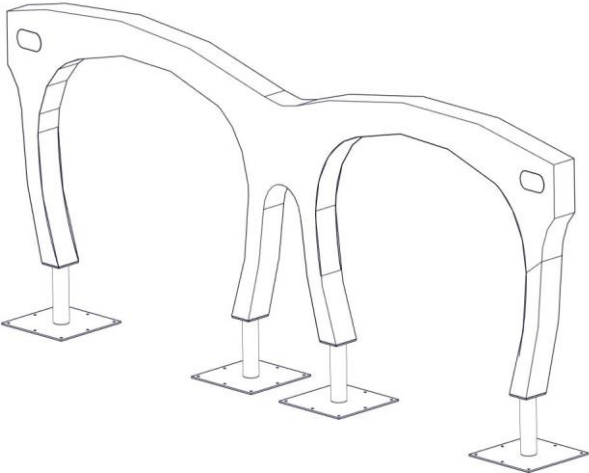
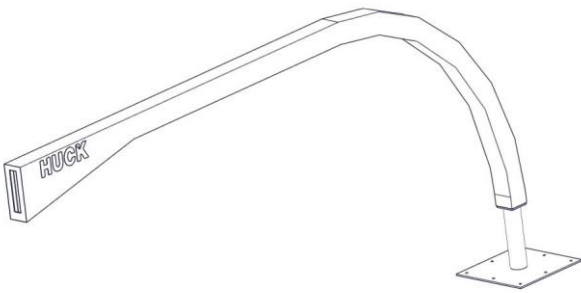
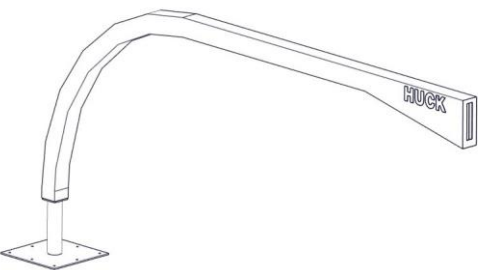

3.1 In words


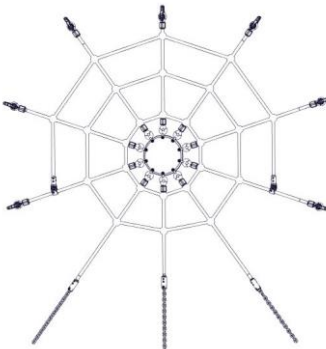

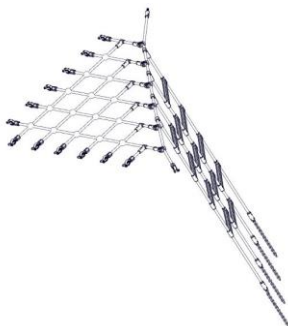
Table 3-1: Delivery contents, in words

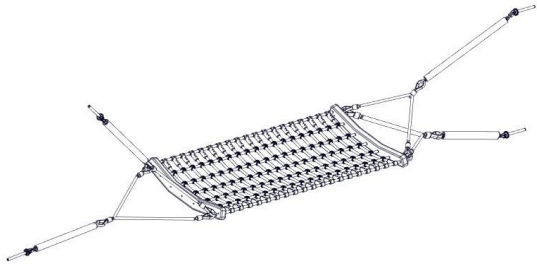

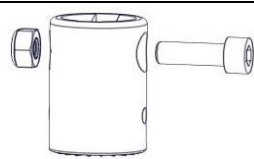



Pos.	Quantity	Element / Description	Size	O.K.	Missing
1	1	Glasses - Frame			
2	1	Glasses - Temple right			
3	1	Spectacles - temples left			
3a	12	Steel bolt (for temples)			
4	1	Spider web (eye) right			
5	1	Spider web (eye) left			
6	1	Triangular net with access ladder on the right			
7	1	Triangular net with access ladder left			
8	2	Hammocks			
9	24	Fixed anchor M16 V4A			
10	14	Stainless steel Chain adapter M12			
11	40	Eyebolt small (wooden thread) pre-assembled			
12	40	Torx screws			
13	32	Fixed anchor M16			


3.2 In symbols

Table 3-2: Delivery contents, in symbols

Pos.	Quantity	Symbol
1	1	 <p>Glasses - Frame</p>
2	1	 <p>Glasses - Temple right</p>
3	1	 <p>Spectacles - temples left</p>
3a	12	 <p>Steel bolt (for temples)</p>

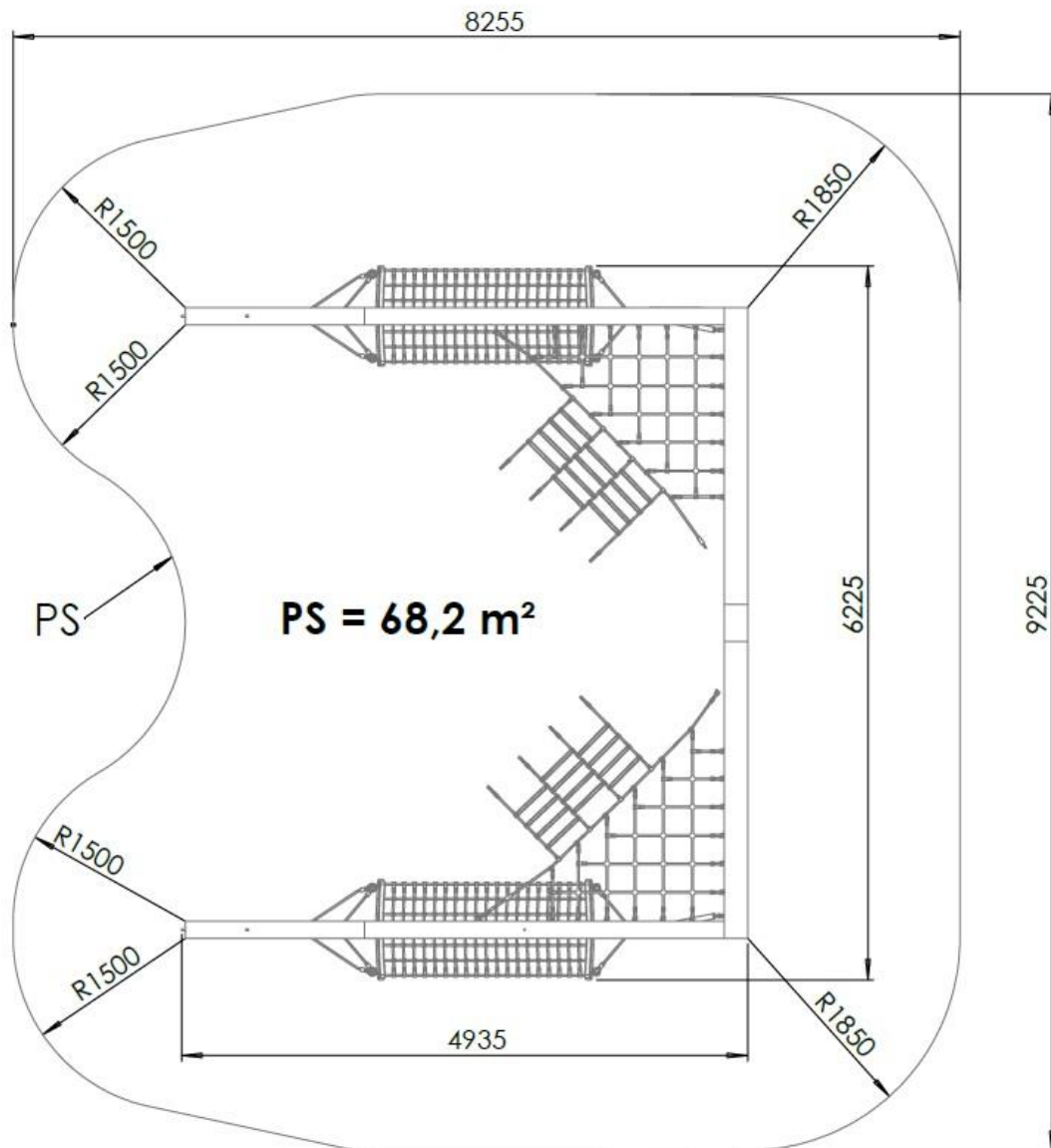
Pos.	Quantity	Symbol
4	1	 <p>Spider web (eye) right</p>
5	1	 <p>Spider web (eye) left</p>
6	1	 <p>Triangular net with access ladder on the right</p>
7	1	 <p>Triangular net with access ladder left</p>

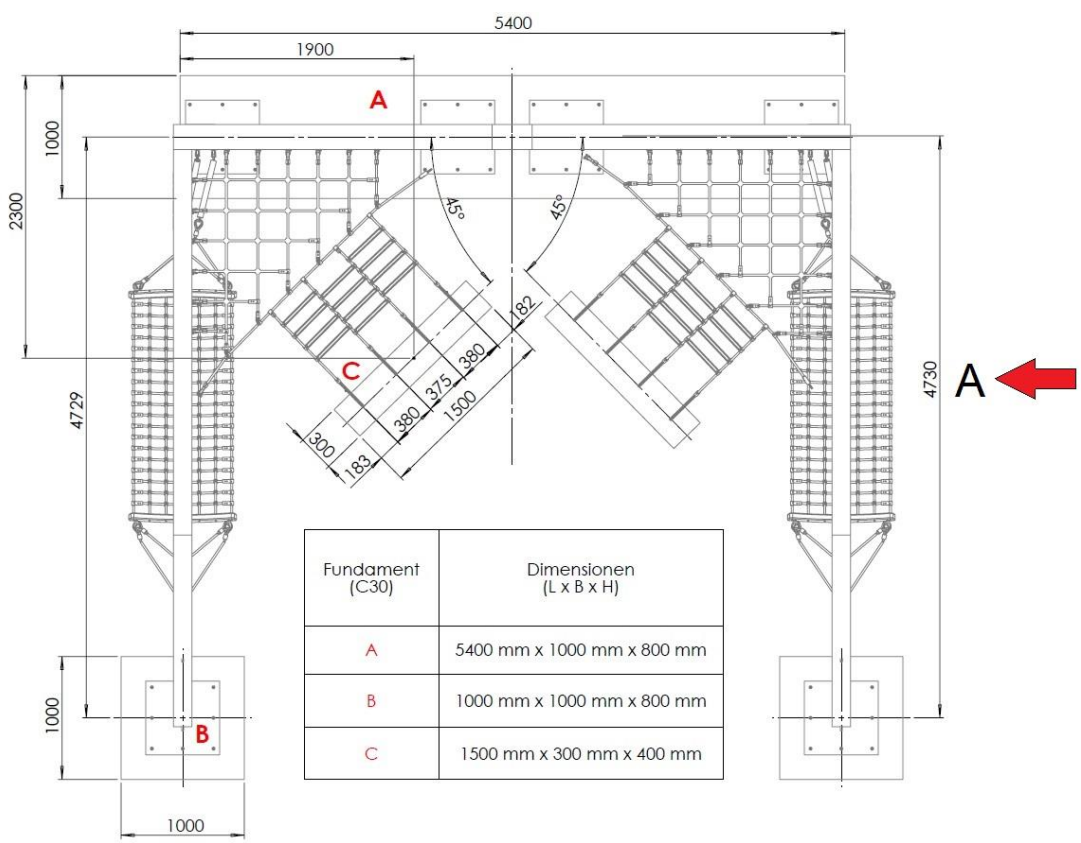
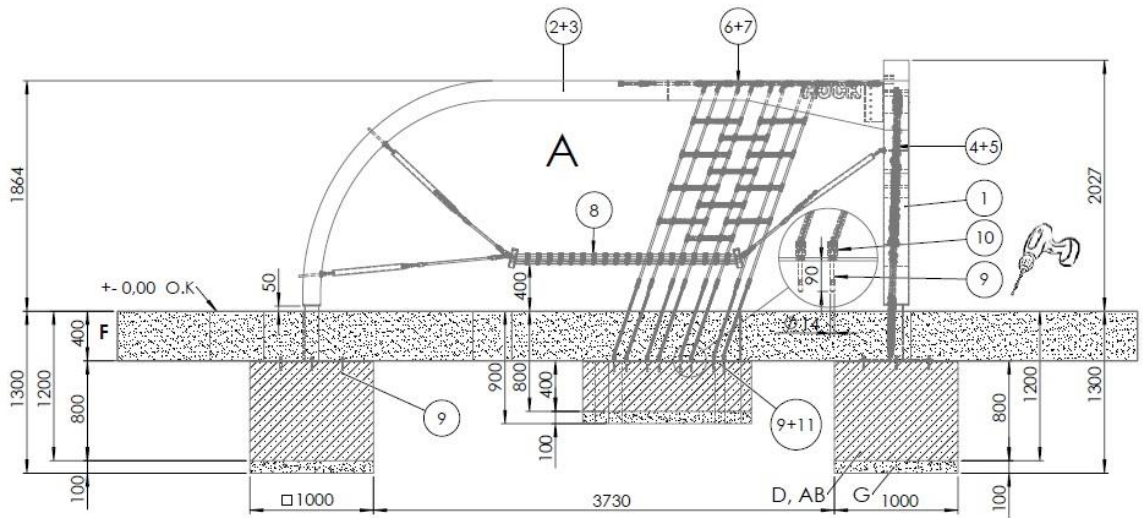
Pos.	Quantity	Symbol
8	2	 <p>Hammocks</p>
9	14	 <p>Fixed anchor M12 V4A</p>
10	14	 <p>Stainless steel, Chain adapter M12</p>
11	40	 <p>Eyebolt small (wooden thread) pre-assembled</p>
12	40	 <p>Torx screws 4,5 x 25 mm</p>
13	32	 <p>Fixed anchor M16 x 250 mm</p>

	<u>Version: "Maxi" Cheops Pyramid</u>
AB	The legally prescribed setting times must be observed!
D	C25/30 concrete (for foundations) Concrete required: 6 m ³
ek	Chains may need to be shortened during assembly.
F	Fall protection
G	Drainage layer
O.K.	Upper edge of playing level
PS	Space requirement including safety zone ~68.2 m ²
n.M.sp	After assembly, the turnbuckles are tightened.
VO	Preassembled
	<p>Round off foundation edges (min.R = 100 mm)! Sizes of foundations are designed for soils class "4-5" (natural ground).</p> <p>Soil class 4: soft to medium plasticity, interleave bound, with minor portion of stone (portion < 30% with bigger diameter of 63 mm grain size).</p> <p>Soil class 5 : ground with soil class 3 and 4 with big portion of stones (portion > 30% with bigger diameter of 63 mm grain size).</p> <p>In case of sandy and soft soils, the surface measure of foundations have to be enlarged for about 50%!</p>

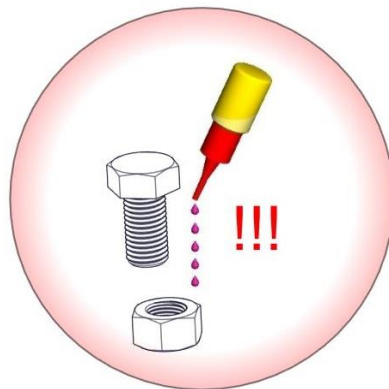
See drawings!

4 Erection instructions

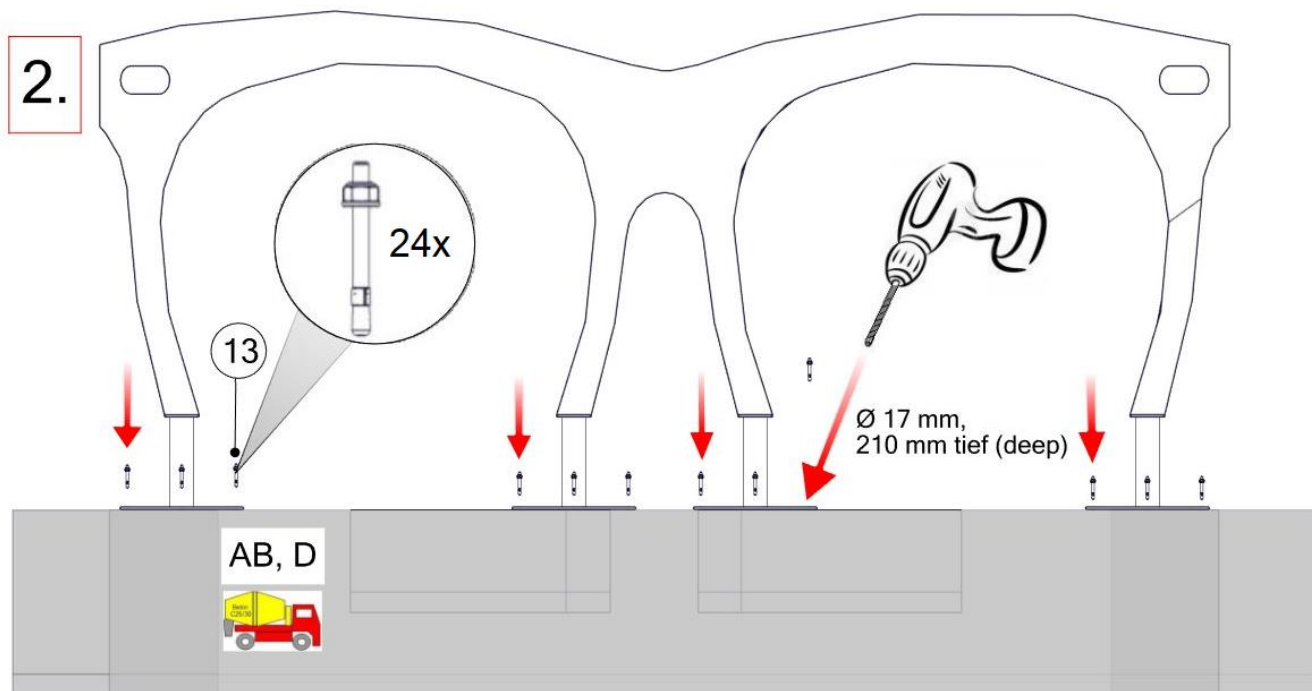
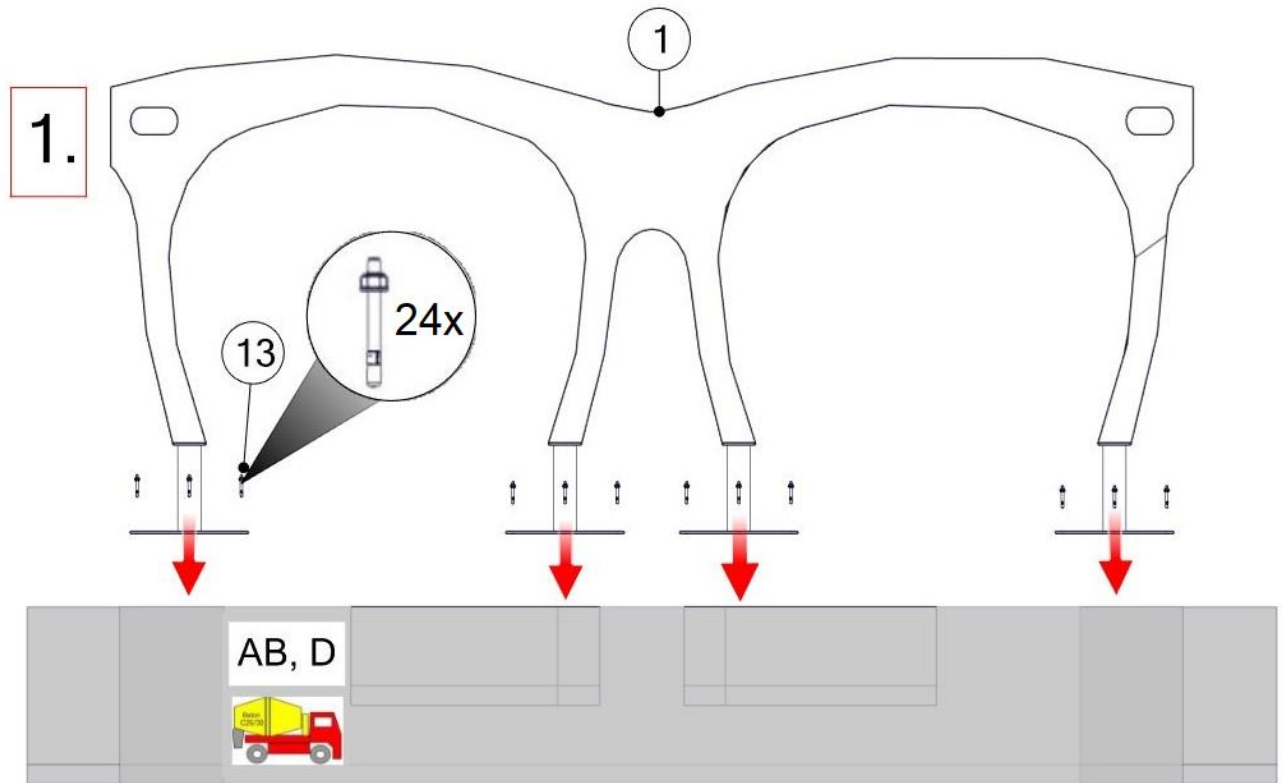


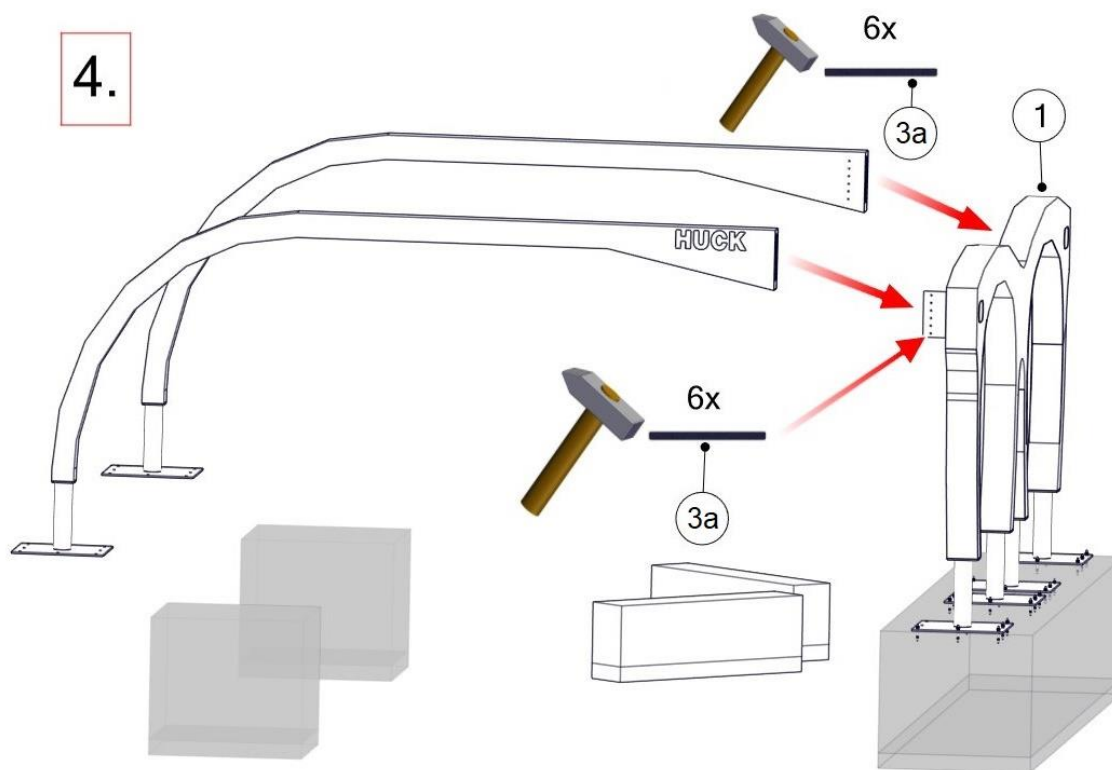
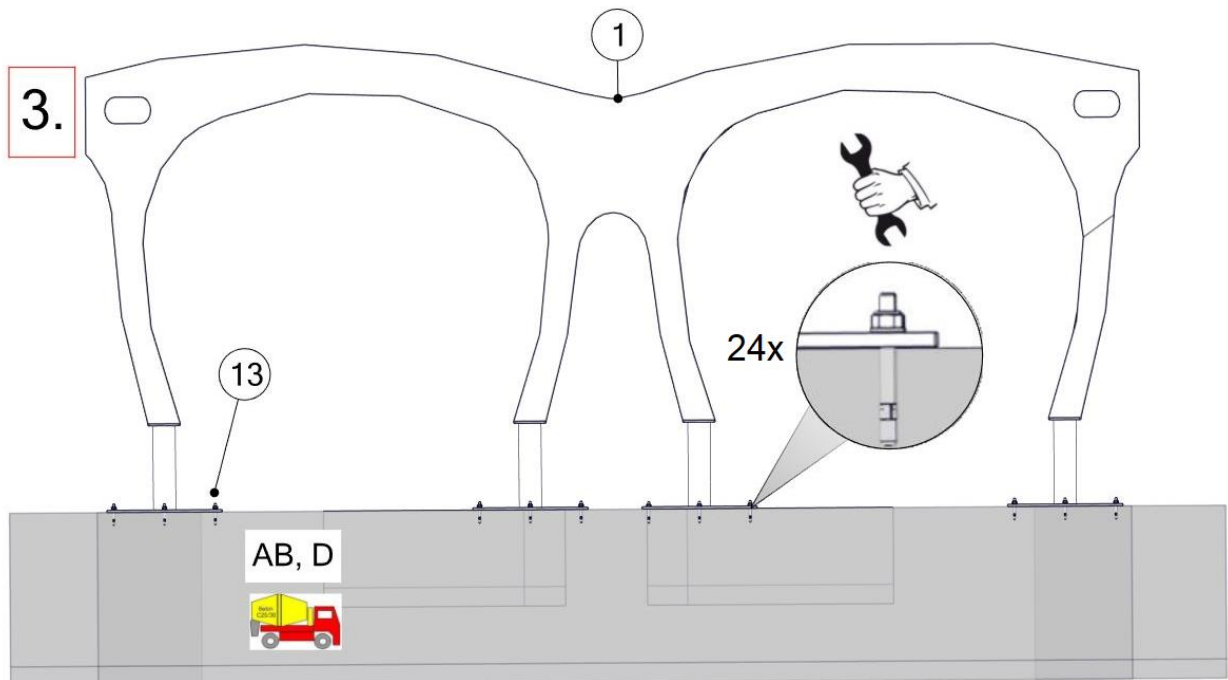


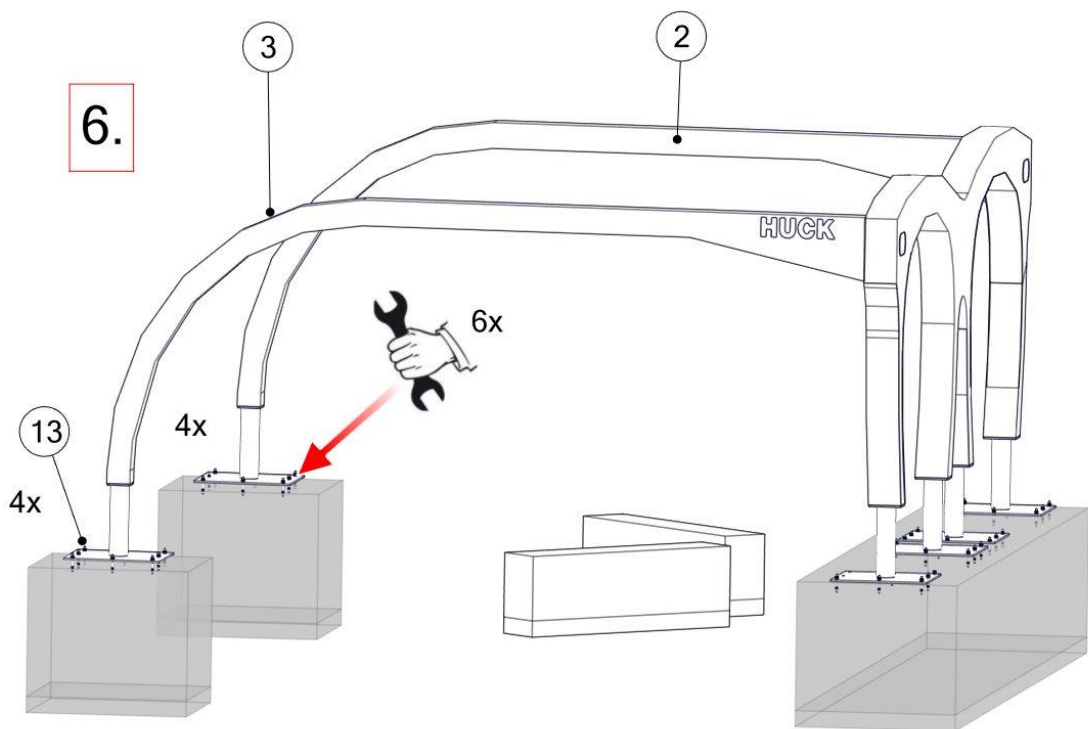
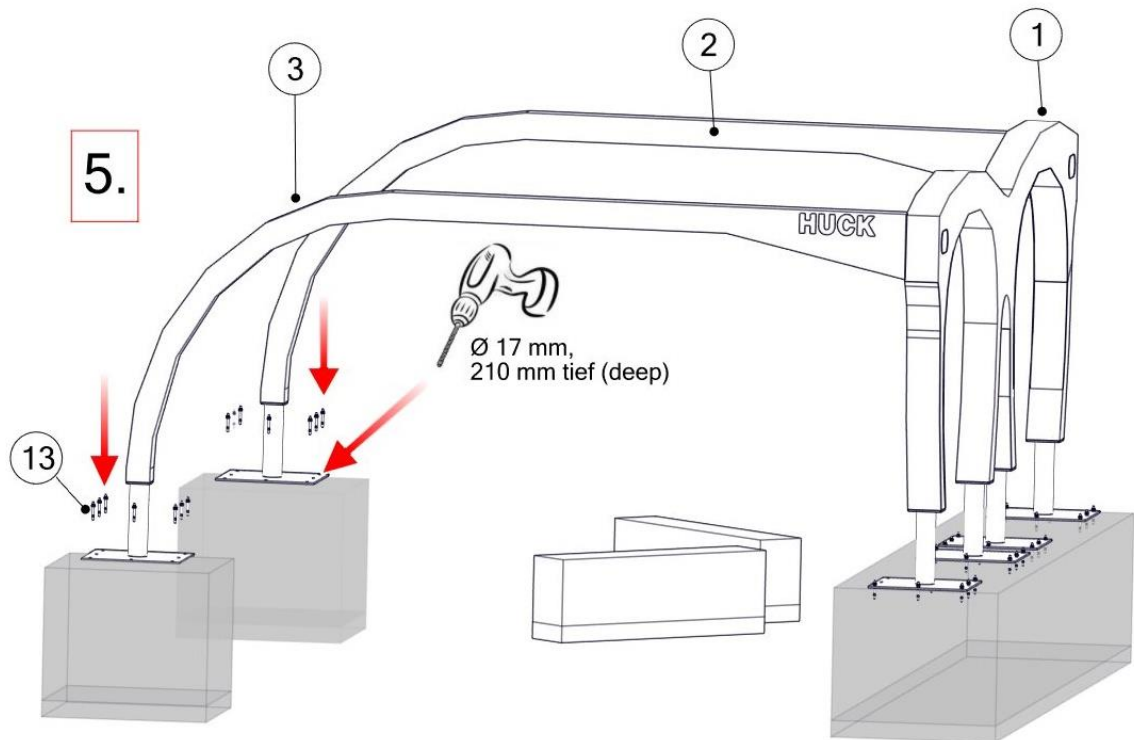
Screw locking device!

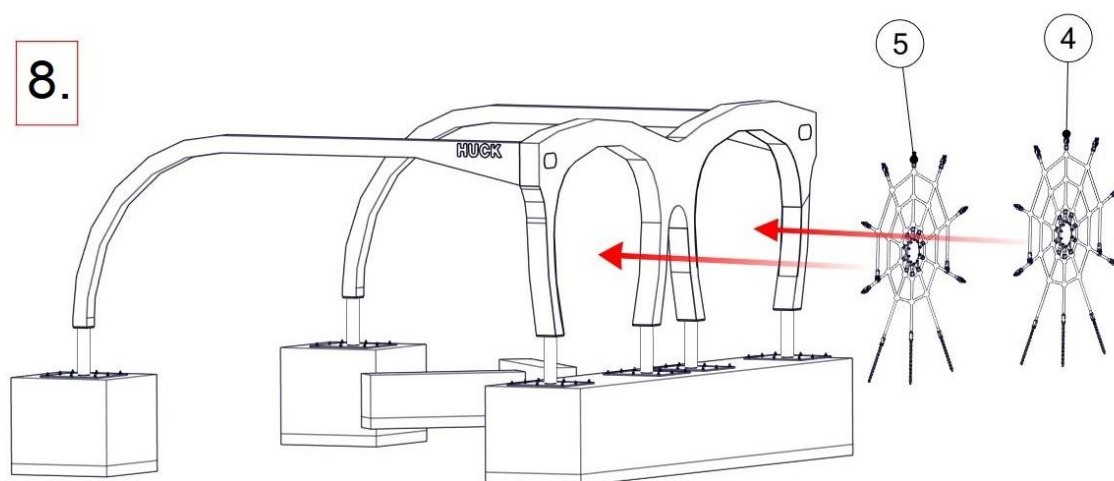
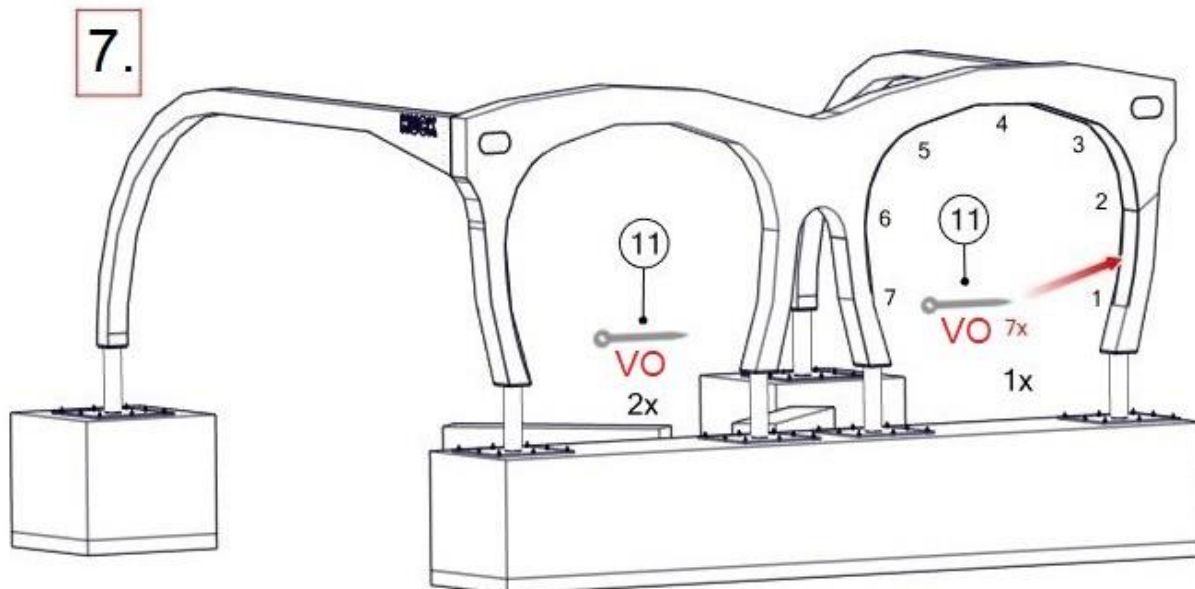


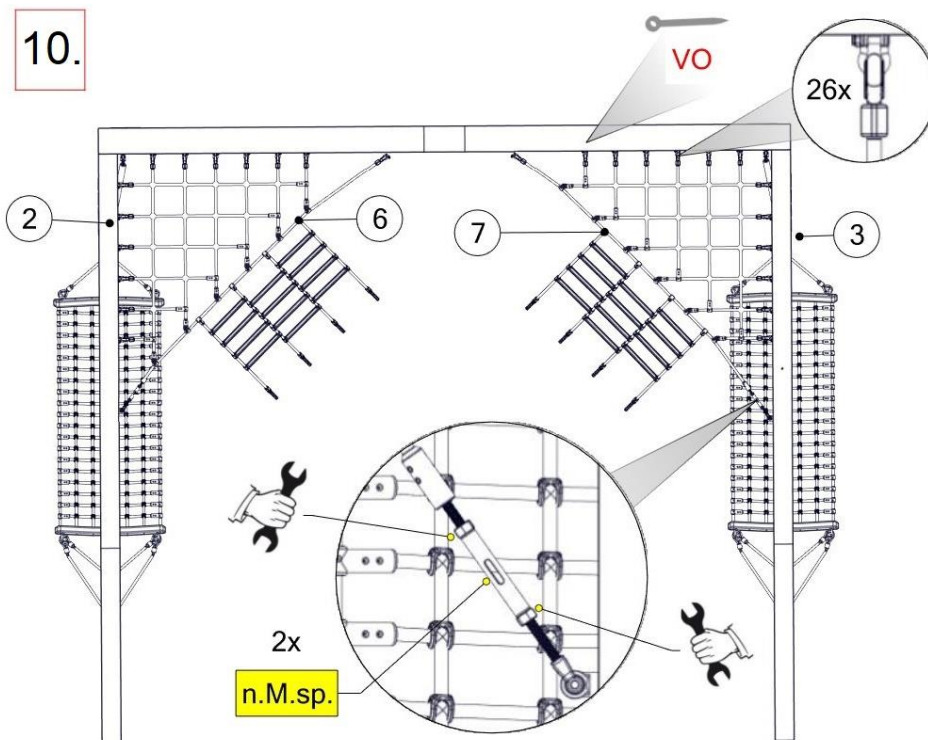
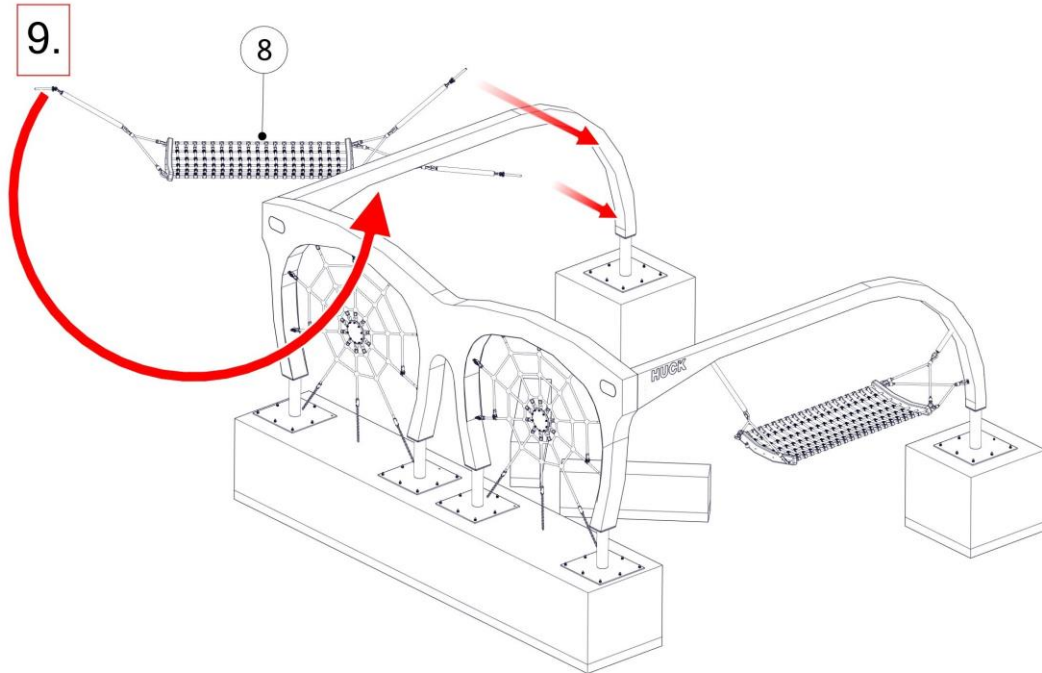
glue all screws, nuts and sleeves with loctite.
(not less than 5 drops !)
(except for lock nut)

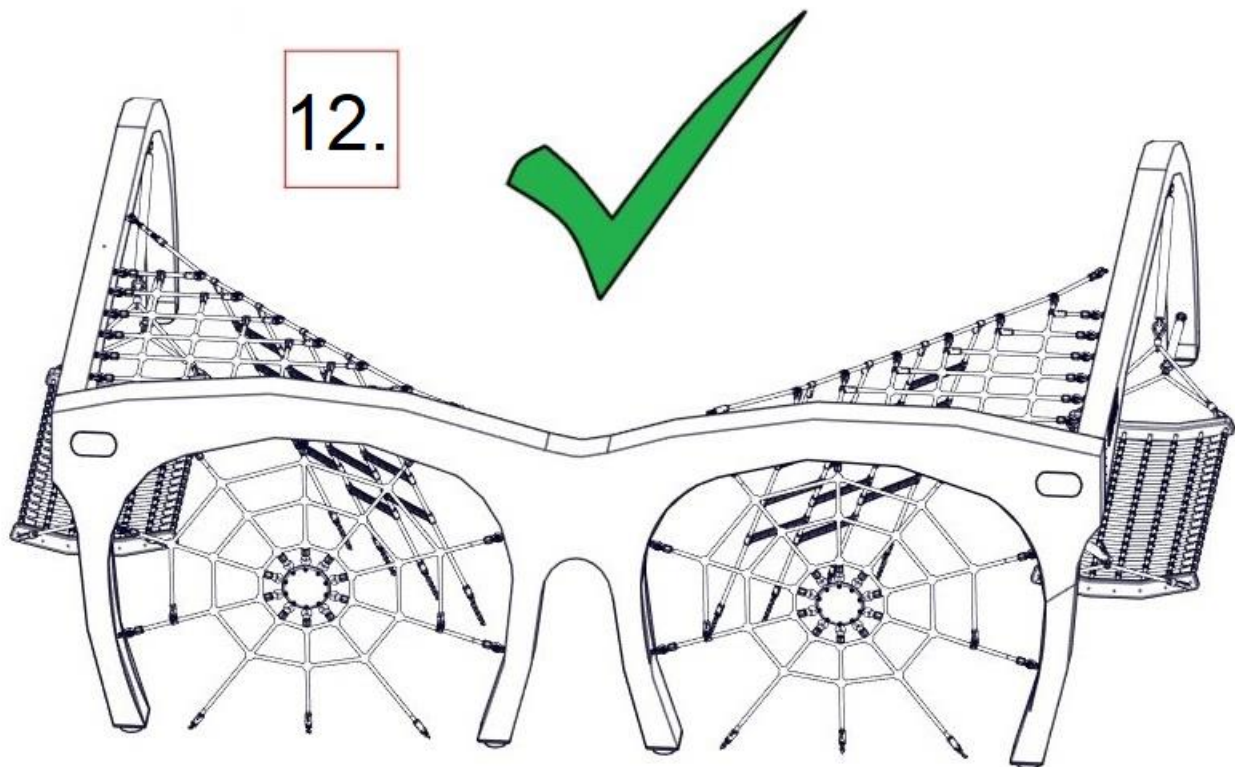
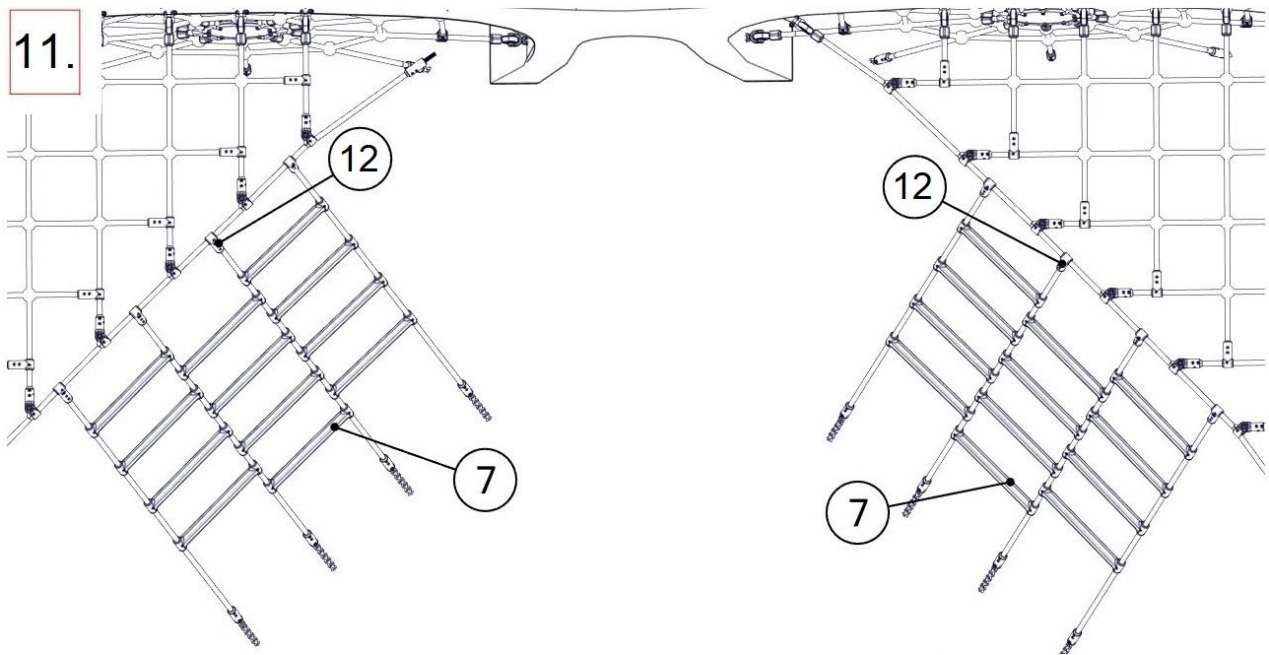












5 Post installation checks



If the equipment has not been installed safely, you must ensure that the public is prevented from using it.

5.1 Marking filler depth

- Labelling the posts to show the depth of material provided as fall protection (i.e. loose filler).

5.2 The equipment has not been installed safely in the following cases:

- Safe equipment installation is not complete.
- The protective surface has not been installed yet.
- Appropriate maintenance work cannot guarantee operational safety.

5.3 Removal of all assembly aids

- Please make sure that all assembly aids have been removed from the playing area. The equipment must not be approved for use until this check has been made.

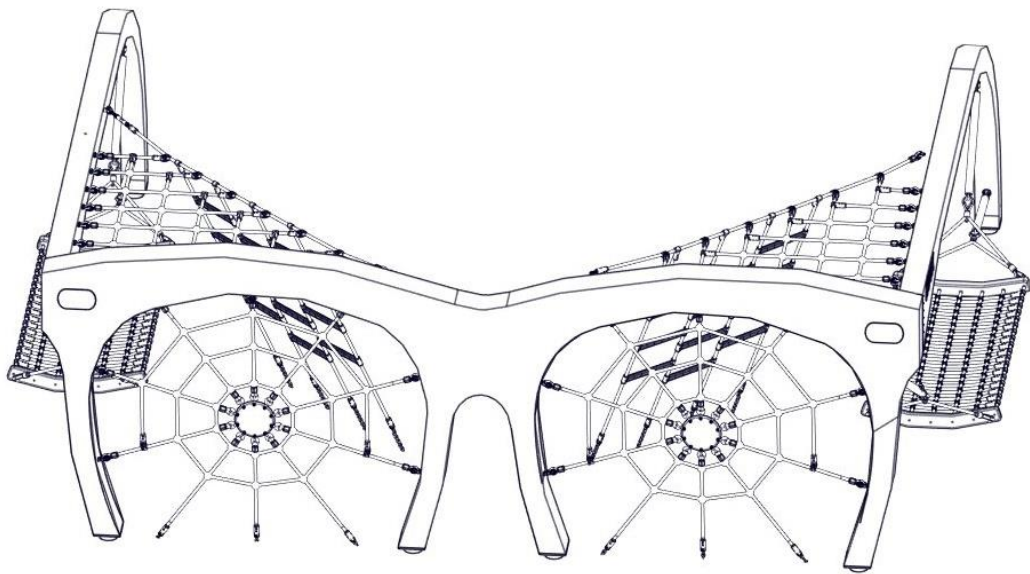
5.4 Information about inspection of the equipment before it is used for the first time

- There are no special inspection requirements to be met before the equipment is used for the first time.

5.5 Retighten bolts

- After one week of play, please retighten all bolts again. Later upon respective maintenance.

B Maintenance instructions **Glasses frame, Art. 4580-5K**



Revision history

Revision 0 – 2022-01-25

Erste freigegebene Version

Wartungsanleitung

Revision 0 – 2022-01-25

Alle Rechte vorbehalten

© Copyright 2022 Huck Seiltechnik GmbH

6 Instruction Maintenance

6.1 General informations

This equipment should be installed, inspected, maintained and operated in accordance with EN 1176-7 guidelines.



Notice

Please note: Providing any necessary repairs are carried out, a piece of play equipment that is inspected regularly cannot become so damaged that it is dangerous.

Any spare parts which may be required can be obtained directly from your supplier.



Attention

This equipment should only be assembled, maintained and repaired by **persons with the necessary expertise**.

A copy of the inspection record should be given to the operator, who must confirm receipt.

**This maintenance instruction is based on the standard
“EN 1176-1:2017”.**

7 General maintenance information

7.1 Maintenance intervals

Maintenance intervals are based on average use. Please note that more frequent inspections and/or maintenance are required if the play equipment is subject to intensive use.

7.2 Inspection frequency

The frequency of inspections must be based on actual use. Factors that affect frequency include vandalism, location (e.g. coastal proximity), air pollution and the age of the equipment.

7.3 Maintenance products and procedures

All nuts and bolts are hot-dip galvanised or stainless steel. One of the characteristics of stainless steel is that uncontrolled cold welding may occur when the nuts are tightened. To prevent this, it is necessary to spray the nuts and bolts with Teflon spray or another similar lubricant.

7.4 Spare parts

All spare parts must conform to the manufacturer's specifications.

7.5 Identifying spare parts

All spare parts are listed in the parts list. The parts list follows the installation requirements.

7.6 Special instructions for the disposal of individual equipment components

No special instructions are necessary for the disposal of individual equipment components.

7.7 Special measures during the break-in period

No later than 2 weeks after assembly, all screwed connections should be checked and tightened if necessary.

7.8 Drainage holes

All drainage holes should be kept clear.

7.9 Maintenance of protective surfaces

Surfaces providing fall protection must also be maintained regularly. It is particularly important to maintain the correct level of loose surface material and add more if necessary.

7.10 Faults



Faults must be repaired as soon as they are detected. If serious defects that compromise safety cannot be repaired straight away, the public must be prevented from using the equipment with immediate effect.

7.11 Loose screws



Loose screws always cause quality problems and put safety at risk. Therefore, loose screws should always be tightened and checks carried out to ensure that there are no missing screws (e.g. look out for holes you can see through).

7.12 Preventing equipment use

Use of the equipment should be prevented in the event of incomplete installation, disassembly, maintenance, repairs and faults.

7.13 Safeguarding the guarantee

Steel posts and footings are guaranteed if regular maintenance is carried out and recorded in writing. Maintenance first takes place after 3 years. The steel posts must be excavated as far as the concrete foundations and checked for corrosion. Zinc paint should be applied to any corroded areas and scratches.

8 Maintenance timetable

8.1 Special advices

8.1.1 Maintenance interval

We strongly advise you to carry out inspections and maintenance work within the specified periods as use of the equipment, the weather and malicious vandalism cause wear and tear that compromises the safety and function of the equipment.

8.1.2 Maintenance intervals in the event of intensive use

Please note that more frequent inspections and/or maintenance are required if the play equipment is subject to intensive use.

8.1.3 Faults that compromise safety



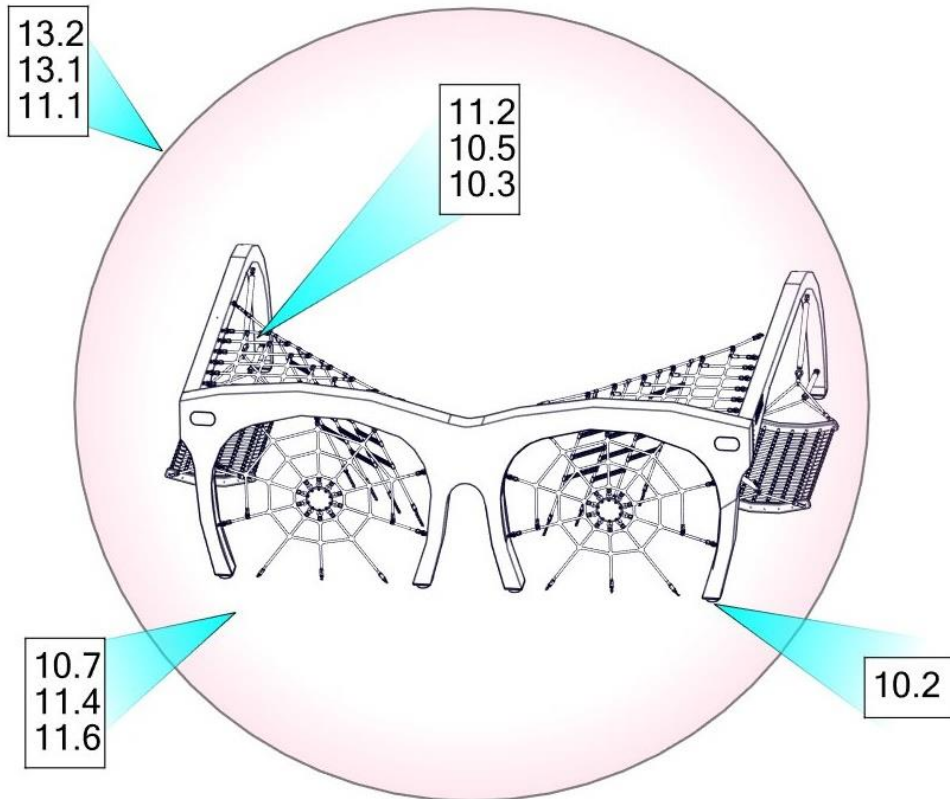
In the event of a fault that compromises safety, quick action must be taken. This may involve repairing it immediately or shutting down and dismantling the equipment.

8.1.4 Faults that compromise function



Faults that compromise function should also be repaired immediately. Such faults lower the value of the equipment to the user and encourage malicious vandalism, which may render the equipment less safe. Any damage should also be repaired immediately.

9 Regular maintenance



10 Monthly maintenance

- 10.1 Check the spaces between the equipment and the ground (clearance and height of fall).**
- 10.2 Check the ground surface in the area with fall protection for hard objects and loose foundations.**
- 10.3 Check all connecting elements and fittings for wear and tear and tighten if necessary. Replace damaged or missing parts.**
- 10.4 Check that moving metal parts (joints, springs, etc.) move smoothly and are not worn. Replace if necessary. It is not necessary to lubricate joints as we only use maintenance-free metal roller bearings.**
- 10.5 Check all attachments such as chains, ropes, nets, etc. for damage and replace if necessary.**
- 10.6 Check rubber parts, sleeves, etc. for wear and tear or damage and replace if necessary.**
- 10.7 If necessary, remove excess padding material from the post footings due to danger of rotting.**
- 10.8 Check the surface of wooden parts for damage caused by the weather or external influences and mould. Repair or replace if necessary.**
- 10.9 Check the surface of plastic and metal parts, e.g. slides, for damage and replace if necessary.**

11 Quarterly maintenance

- 11.1 Detailed inspection of the operation and stability of the equipment paying particular attention to any wear and tear.**
- 11.2 Tighten all forms of attachment.**
- 11.3 Repaint and retreat surfaces.**
- 11.4 Maintenance of fall protection surfaces.**
- 11.5 Lubrication of joints.**
- 11.6 Check the height of the fall and top up with loose filler if necessary. If the posts are labelled, top up as far as the mark.**
- 11.7 Retighten all bolts**



Attention

Annual Maintenance

12 Annual maintenance

- 12.1 Ascertaining that the equipment, foundations and surfaces are safe for operation.
- 12.2 In particular, the equipment should be checked for decay and corrosion. It may be necessary to dig out or excavate certain components in order to do so. Zinc paint should be applied to corroded areas and scratches.
- 12.3 Stability (check posts, bracing, foundations, etc.).
- 12.4 Ascertaining whether there are any changes in equipment safety as a result of repairs that have been carried out or components that have been added or replaced.



Attention

The equipment must be inspected by someone **with the necessary expertise** in strict compliance with the instructions issued by Huck Seiltechnik GmbH.

A copy of the inspection record should be given to the operator, who must confirm receipt.

13 Maintenance printout

Name of item: Glasses frame / Art. No. 4580-5K _____

Location: _____

Customer or operator: _____
(Town, Town council, Kindergarten)

Date of inspection	Inspector	O.K.	Accessible	Barriered	Defects	Repaired by	Date

**Please copy and return once a year after main inspection has been carried out to the manufacturer by Telefax
+49(0)6443/ 83 11 79!**

Place the confirmation form in the play equipment files.

14 Hand over document



After the installation of the equipment pass the installation and maintenance documents to the operator. The operator has to receive the hand over documents. The complete filled and signed hand over document should be sent to the supplier.

Art.-No.: 4580-5K

Type of item: Glasses frame

Serial number:

Customer or operator (Town, Town council, Kindergarten, etc.):

Competent person in charge:

Installation company (address):

Responsible assistant (assembler):

Received the complete assembly instructions, maintenance instructions and maintenance printout.

(Signature of operator)
(Stamp)

(Signature of installation company)

Date: _____