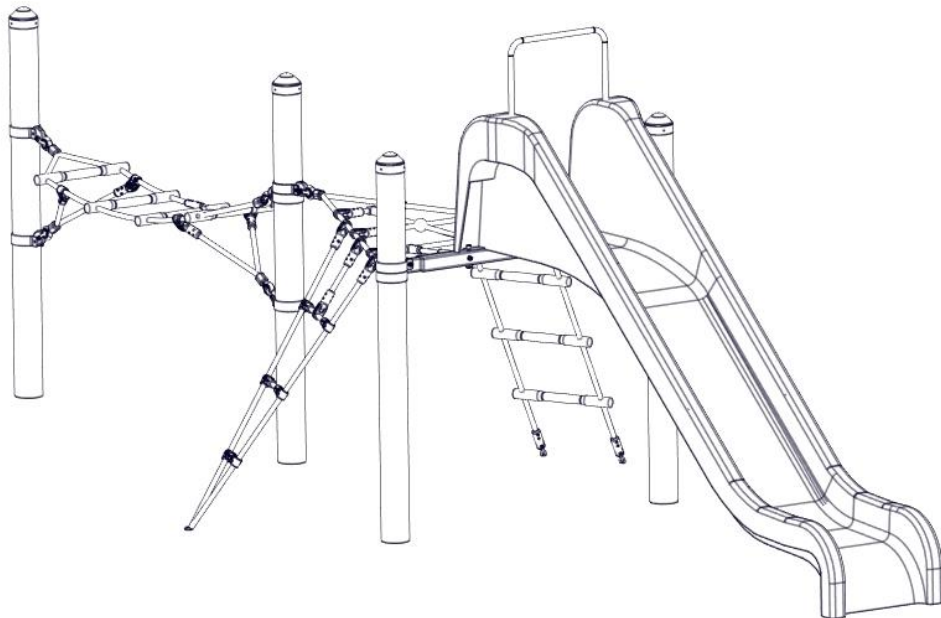


A Assembly instruction

Gnome Forest “Rabenscheid” Art. 4591-20

(Version: Steel posts, ø 101,6 mm to be set in concrete)

Attention! Only use the assembly instructions included in the scope of delivery for the assembly, installation and maintenance of the respective equipment!



Operator: _____

Location: _____

Revision 0 – 2005-02-15

Erste freigegebene Version

Montageanleitung

Revision 16– 2024-02-22

neue Form der Rutsche FH

Alle Rechte vorbehalten

© Copyright 2004 Huck Seiltechnik GmbH

Contents

A	Assembly instruction Gnome Forest “Rabenscheid” Art. 4591-20 (Version: Steel posts, ø 102 mm to be set in concrete)	1
1	Introduction Assembling	4
2	Datasheet Gnome Forest “Rabenscheid”, No. 4591-20	5
3	Delivery contents (parts list with part numbers)	7
4	Erection instructions	12
5	Post installation checks	25
B	Maintenance instruction Gnome Forest “Rabenscheid” Art. 4591-20 (Version: Steel posts, ø 102 mm to be set into concrete)	26
6	Introduction Maintenance	28
7	General maintenance information	29
8	Specific maintenance advice	31
9	Maintenance timetable	32
10	Monthly maintenance	33
11	Quarterly maintenance	33
12	Annual maintenance	34
13	Maintenance printout	35
14	Hand over document	37

List of Tables

Table 3-1: Delivery contents, in words	7
Table 3-2: Delivery contents, in symbols	8

1 Introduction Assembling

1.1 General information

This equipment should be installed, inspected, maintained and operated in accordance with EN1176-7 guidelines.

Before installation work commences, please check that you have all of the equipment and fixation components in the parts list provided (see Tables 3-1 and 3-2).

Any spare parts that may be required can be obtained directly from your supplier.

Please do not hesitate to call us on **01308 425100** if you have any problems during installation or with any other questions.



Attention

Following installation, complete assembly instructions, maintenance instructions and a maintenance record must be sent to the operator who must confirm receipt in writing. See the last page of this document.



Attention

All nuts and bolts are hot-dip galvanised or stainless steel.

One of the characteristics of stainless steel is that uncontrolled cold welding may occur when the nuts are tightened. To prevent this, it is necessary to spray the nuts and bolts with Teflon spray or another similar lubricant.

We hereby confirm that this play equipment has been tested and certified in accordance with the play equipment standard EN 1176.

2 Datasheet Gnome Forest “Rabenscheid”, No. 4591-20

1. Component zone: 5,50 x 2,0 m
 safety zone: 8,45 x 5,20 m
 Height of equipment: 1,80 m
 Height of Fall: 1,00 m
 Fall protection area: 30,4 m²
2. Required safety surface:

Surface material	Description mm	Minimum thickness of layer mm	Maximum height of fall mm
Lawn / topsoil	-	-	≤ 1000
Bark mulch	20 – 80 Particle size	300	≤ 2000
		400	≤ 3000
Wood chippings	5 – 30 Particle size	300	≤ 2000
		400	≤ 3000
Sand	0.25 – 2 grain size	300	≤ 2000
		400	≤ 3000
Gravel	0,25 – 8 grain size	300	≤ 2000
		400	≤ 3000
Other ground materials	As recommended by manufacturer		Critical drop height as tested

Sand and gravel must be well rounded to remove most of the silty or clayey particles. Washed sand or gravel is considered to be alluvial and free from silty or clayey particles. With gravel this is generally described as "pearl gravel". Degree of non-uniformity D60/D10 < 3.0. The grain size can be determined by using a sieve method.

3. Name and overall dimension of the largest component
 3 steel posts; length 2.40 m, ø 102 mm
4. Name and weight of the heaviest component:
 1 pallet steel posts (3 pieces) 57 kg
5. Intended age group: 3 years and over
6. **Please note that this equipment is set in concrete.**
 Concrete: C25/30
 Required concrete: 1.82 m³
 Foundations/area to be excavated:
 (top edge of concrete = 40 cm below ground level)
 4x 800 x 800 x 600 mm / 4x 800 x 800 x 1100 mm (incl. 100 mm drainage layer)
 1x 600 x 300 x 600 mm / 1x 600 x 300 x 1100 mm (incl. 100 mm drainage layer)
 1x 400 x 300 x 600 mm / 1x 400 x 300 x 1100 mm (incl. 100 mm drainage layer)
 1x 700 x 400 x 100 mm / 1x 700 x 400 x 860 mm (incl. 100 mm drainage layer)

7.



Round off foundation edges (min.R = 100 mm)! Sizes of foundations are designed for soils class“4-5” (natural ground).

Soil class 4: soft to medium plasticity, interleave bound, with minor portion of stone (portion < 30% with bigger diameter of 63 mm grain size)

Soil class 5: ground with soil class 3 and 4 with big portion of stones (portion > 30% with bigger diameter of 63 mm grain size)

In case of sandy and soft soils, the surface measure of foundations have to be enlarged for about 50%!

8. Assembly time, once foundations complete: 2 – 3 hours
Required assistance: 1 - 2 people.
9. Any spare parts which may be required can be obtained directly from your supplier
10. **We hereby confirm that this item of play equipment has been tested and certified in accordance with the play equipment standard EN 1176.**

3 Delivery contents (parts list with part numbers)

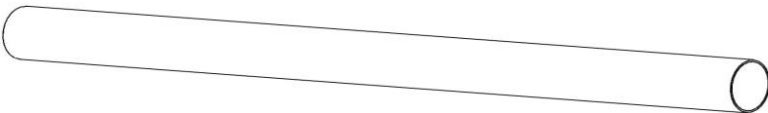
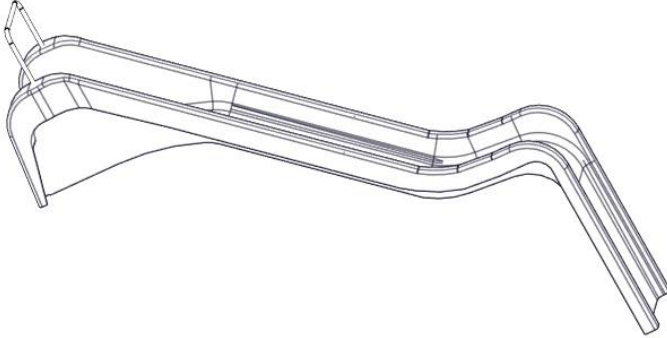
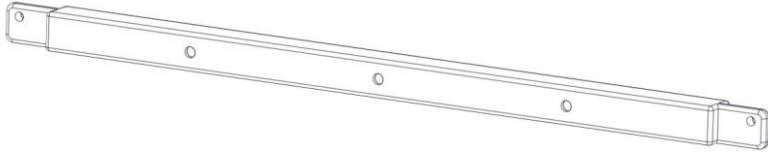
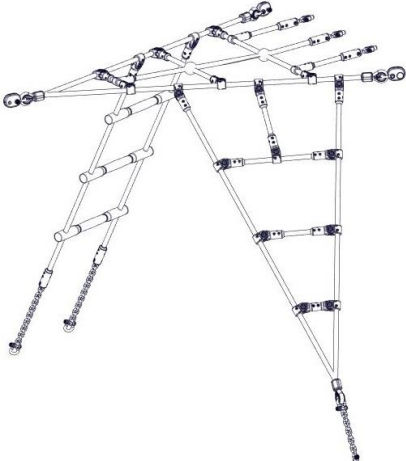
3.1 In words (please notice: piece numbers refer to 1 equipment)

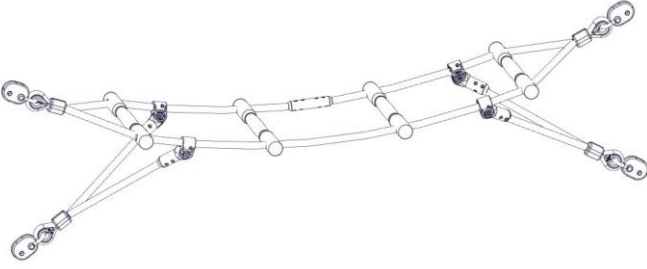
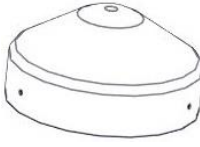

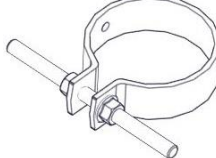


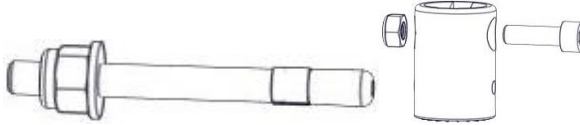
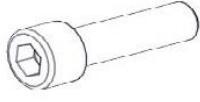
Table 3-1: Delivery contents, in words


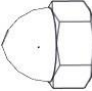
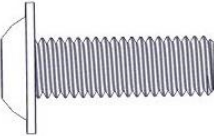

Pos.	Quantity	Element / Description	Size	O.K.	Missing
1	4	Steel posts	Ø 102 mm, 2.40m lg.		
2	1	Green slide	Platform height 1,00 m		
3	1	Cross beam	1,09 m long		
4	1	Net (Play component)			
5	1	Hanging mat/Ladder component			
100	4	Red cover caps	for Ø 102 mm		
101	9	Pipe clips each with carriage bolts and stop nuts	for Ø 102 mm		
102	4	Pipe clips with threaded bolts and 2 hexagonal nuts			
103	12	Self-tapping screws	5.5 x 25 mm		
104	20	Torx screws	4 x 25 mm		
105	3	Fix anchor + Chain adapter	M12 VA		
106	2	Cylinder head screw	M8 x 85 mm VA		
107	2	washer	M8 VA		
108	2	capnut	M8 VA		
109	3	Flat head screw	M8 x 80 mm VA		
111	1	Loctite	3 ml		



3.2 In symbols

Table 3-2: Delivery contents, in symbols

Pos.	Quantity	Symbol
1	4	 Ø 101,6 mm, 2,40 m long
2	1	 Platform height 1,00 m
3	1	 1,09 m long
4	1	

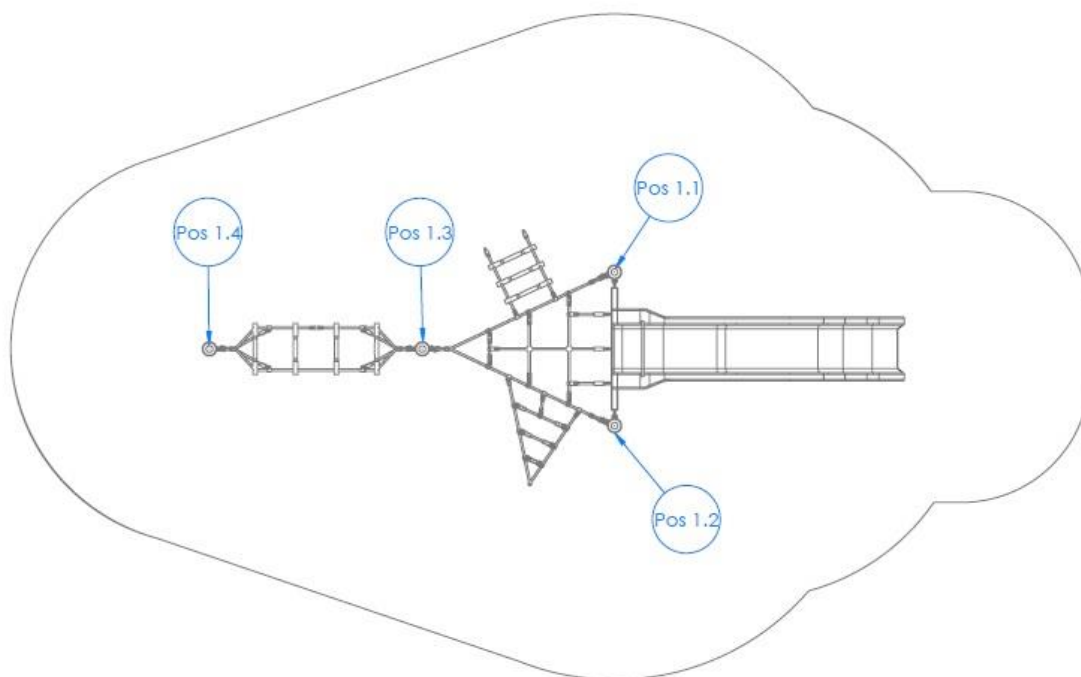
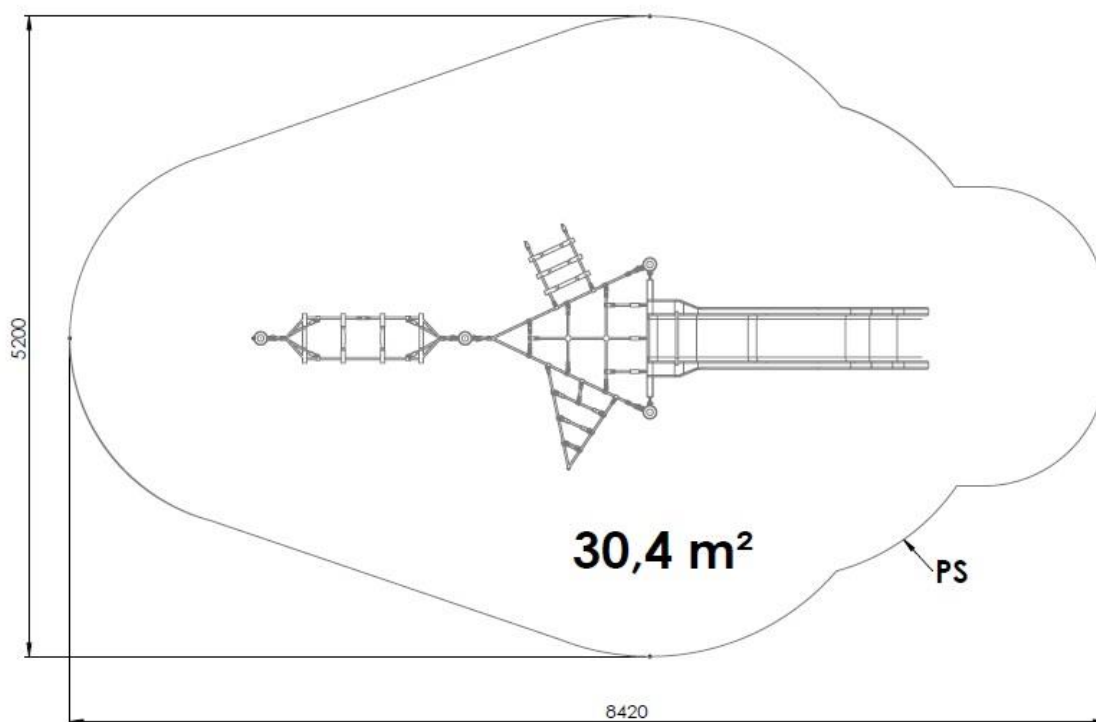
Pos.	Quantity	Symbol
5	1	
100	4	 for 101,6 mm
101	9	 for 101,6 mm
102	4	 for 101,6 mm
103	12	 5,5 x 25 mm
104	2	 4 x 25 mm
105	3	 Fix anchor + Chain adapter M12
106	2	 M8 x 90 mm

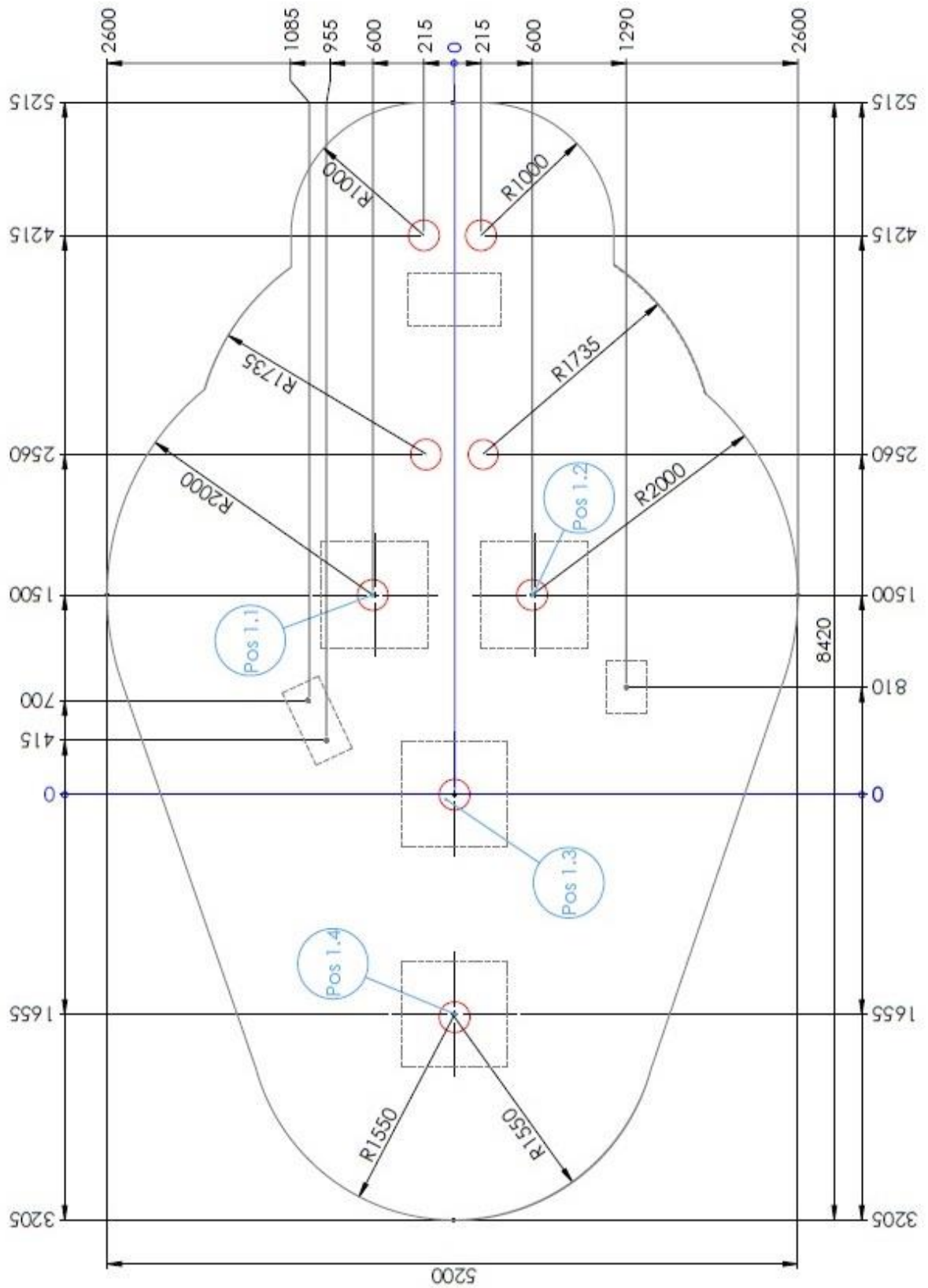
Pos.	Quantity	Symbol
107	2	 for M8
108	2	 for capnut M8
109	4	 M8 x 80 mm
114	1	 Loctite

	Version: Gnome forest slide
AB	the legally prescribed setting times must be observed
D	Concrete C25/30
G	Drainage layer 10 or 5cm thick
PS	Required space incl. safety area
ER	soil
G	Drainage
F	Fall protection
KELA	Shorten chain length as required
EBT	Installation depth
<u>VO</u>	<u>pre-assembled!</u>
<u>H. 1</u>	The pre-assembled ladder and that 3 - corner ascent network on the horizontal network (game part -Pos. 4) after complete assembly of all power supplies fully assembled with the Torx screws (item 105).
<u>H. 4</u>	The pre-assembled hammock (ladder element - Pos. 5) after the complete assembly with the Torx screws (item 104) fully assembled.
 Achtung 	Concrete top edges rounded (R = 100 mm). Important! Foundation sizes apply to normal floor classes 3 - 4! In the case of sandy, soft soils, dimension accordingly larger!

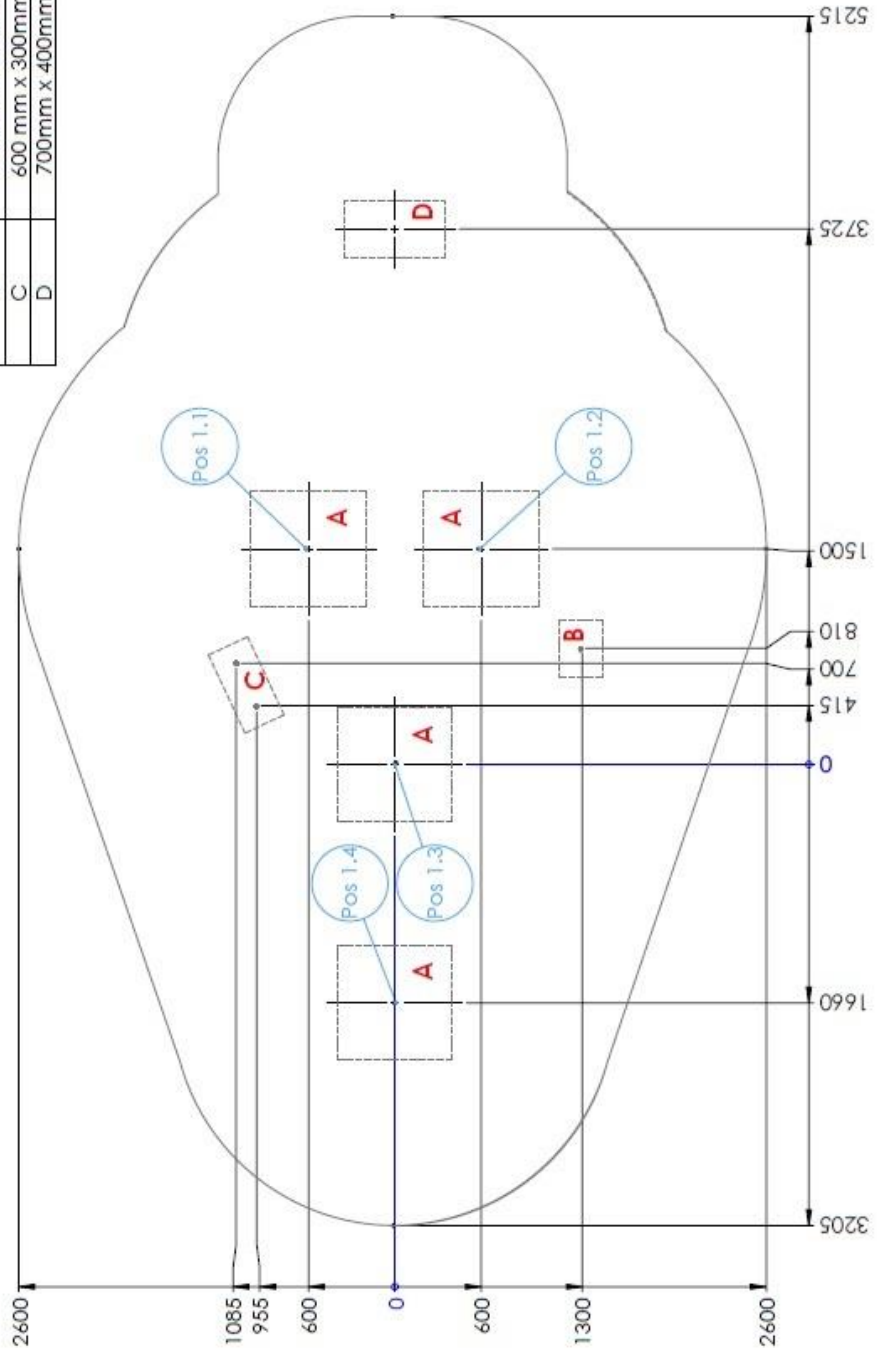
See drawings

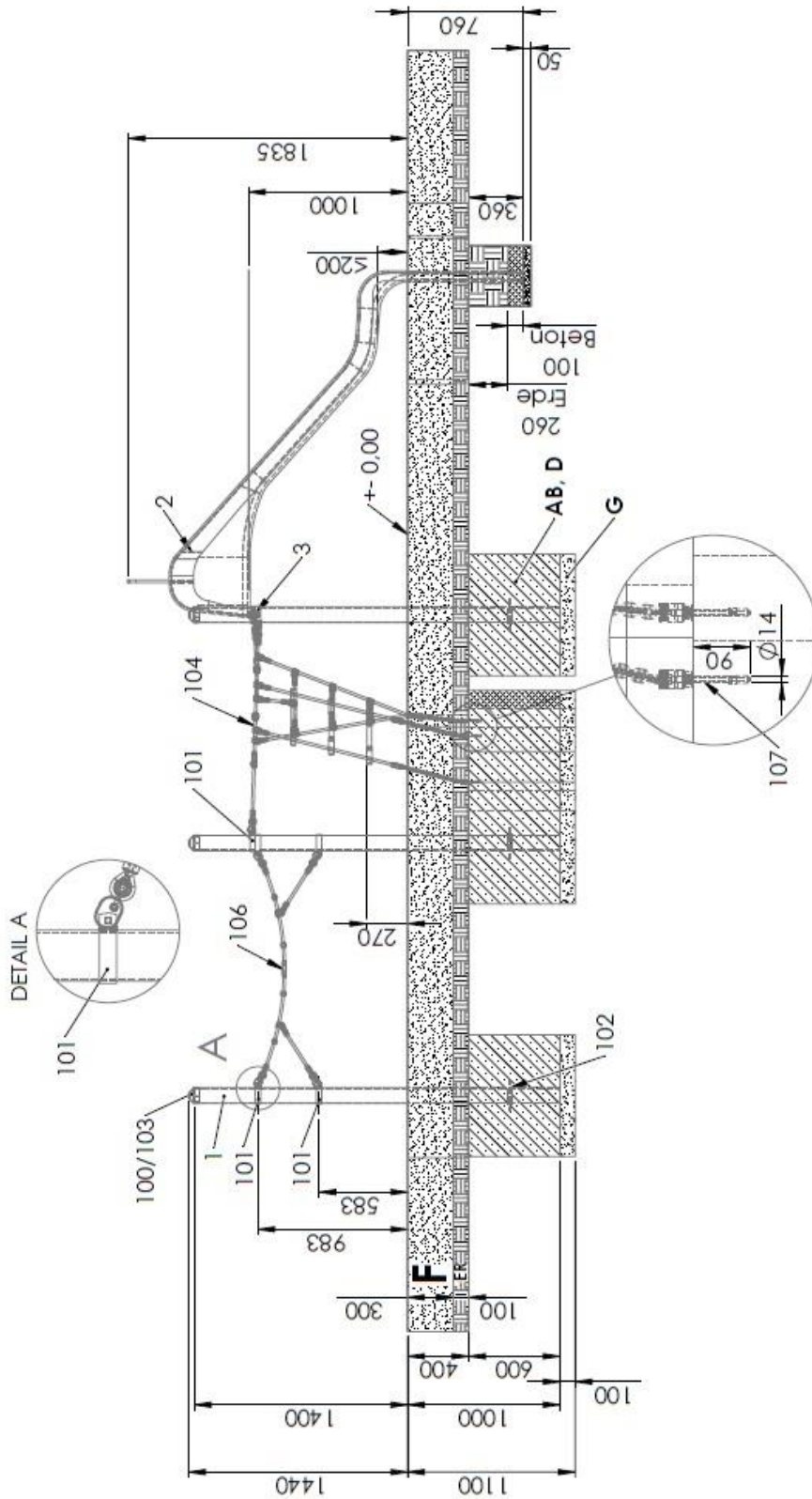
4 Erectioninstruction



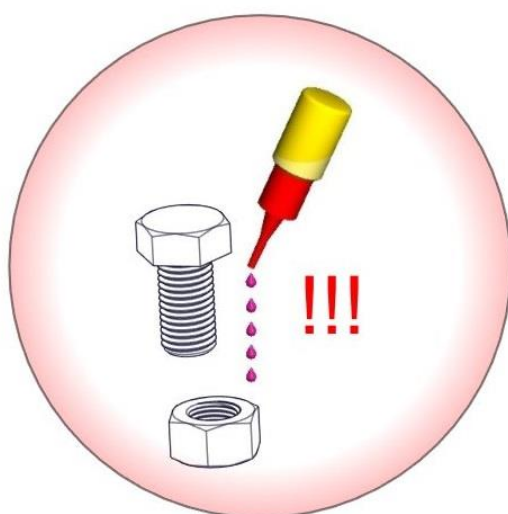


Description Bezeichnung	Dimensions(L x W x D) Maße (L x B x T)	Total Anzahl
A	800mm x 800mm x 600mm	3x
B	300mm x 400mm x 300mm	1x
C	600 mm x 300mm x 400mm	1x
D	700mm x 400mm x 360mm	1x

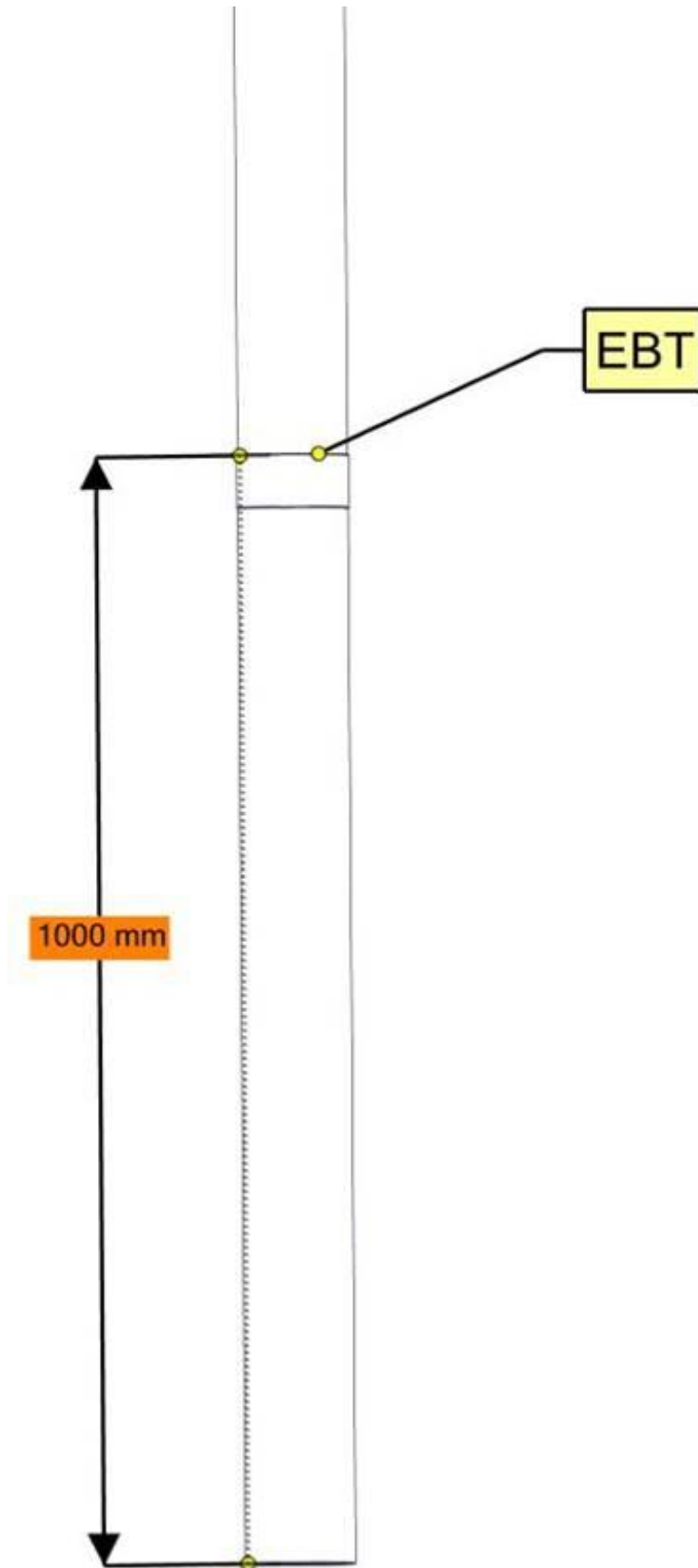


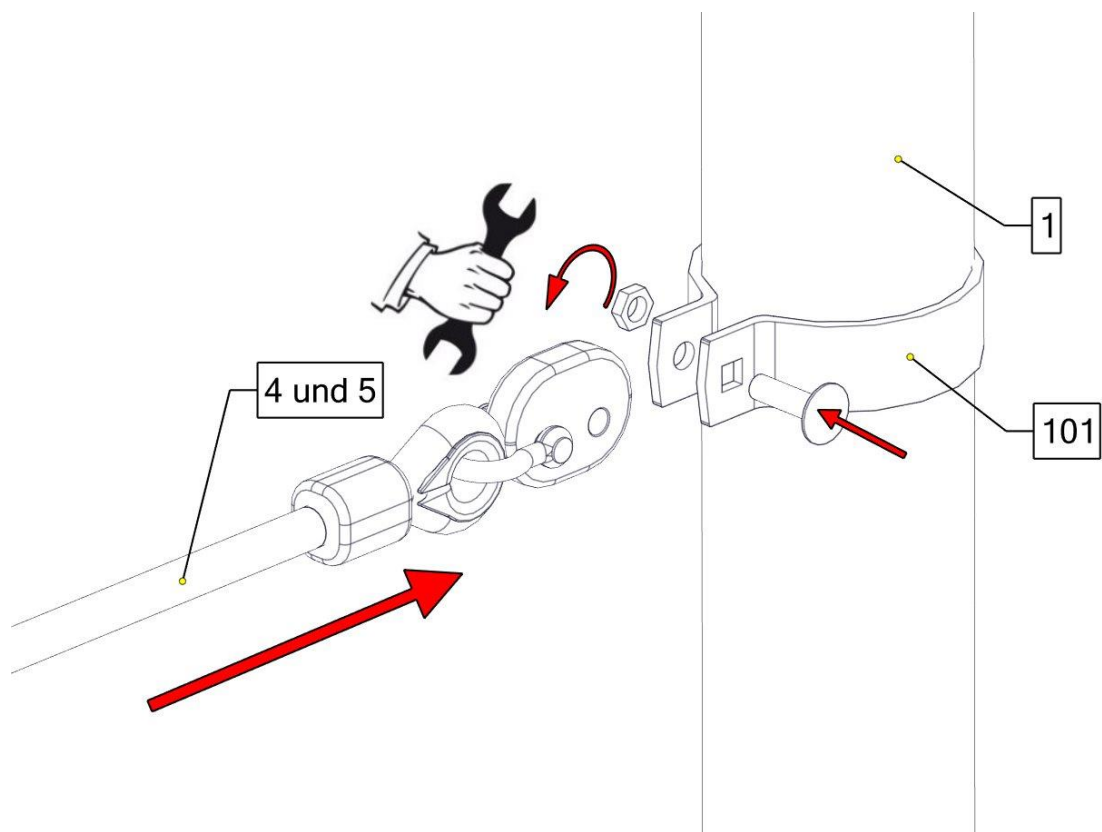
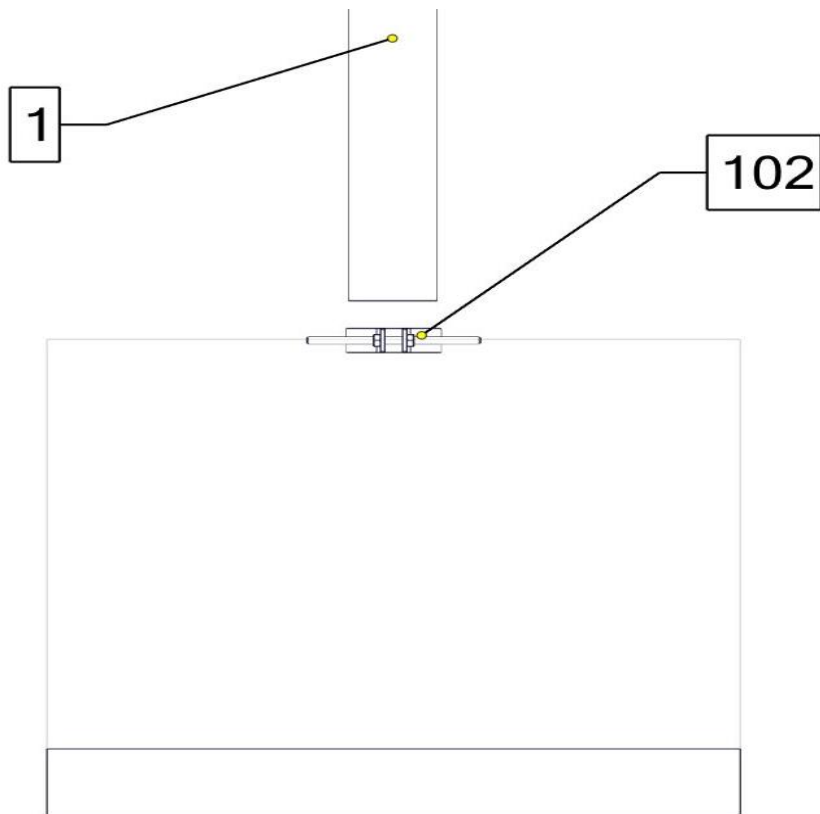


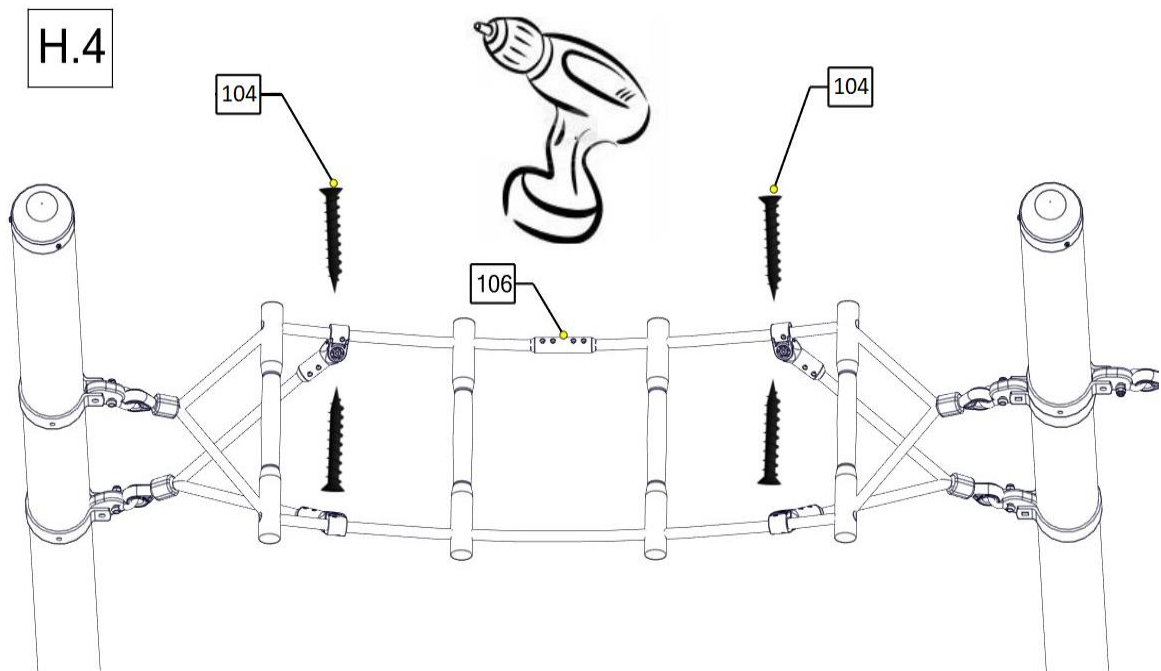
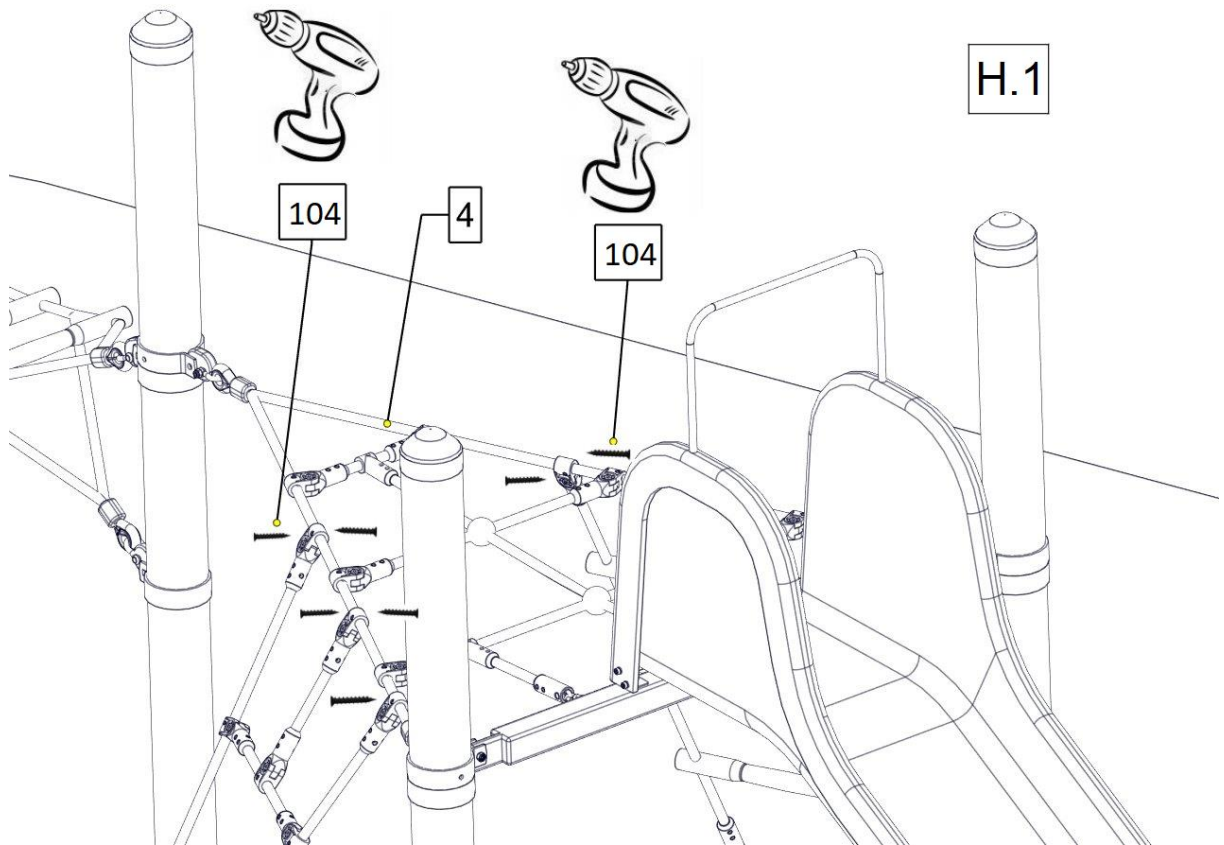
Screw locking device!

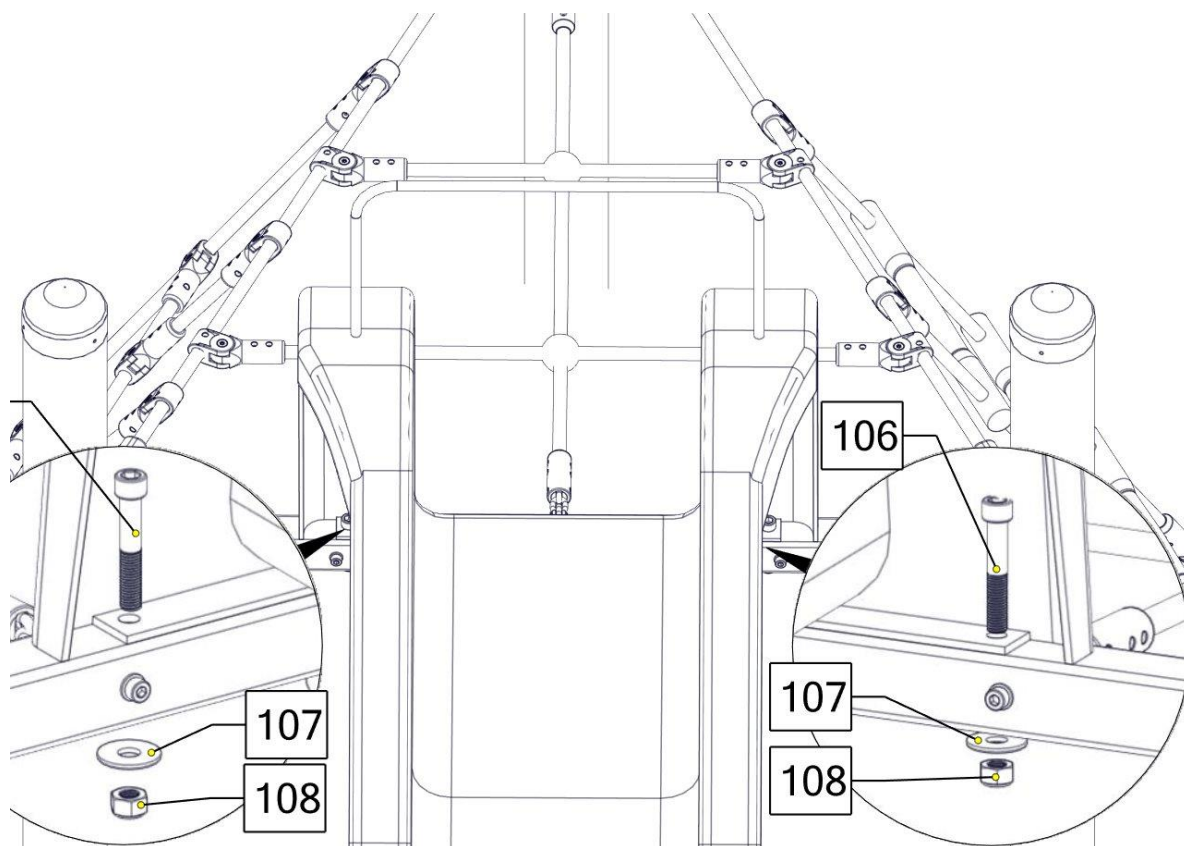
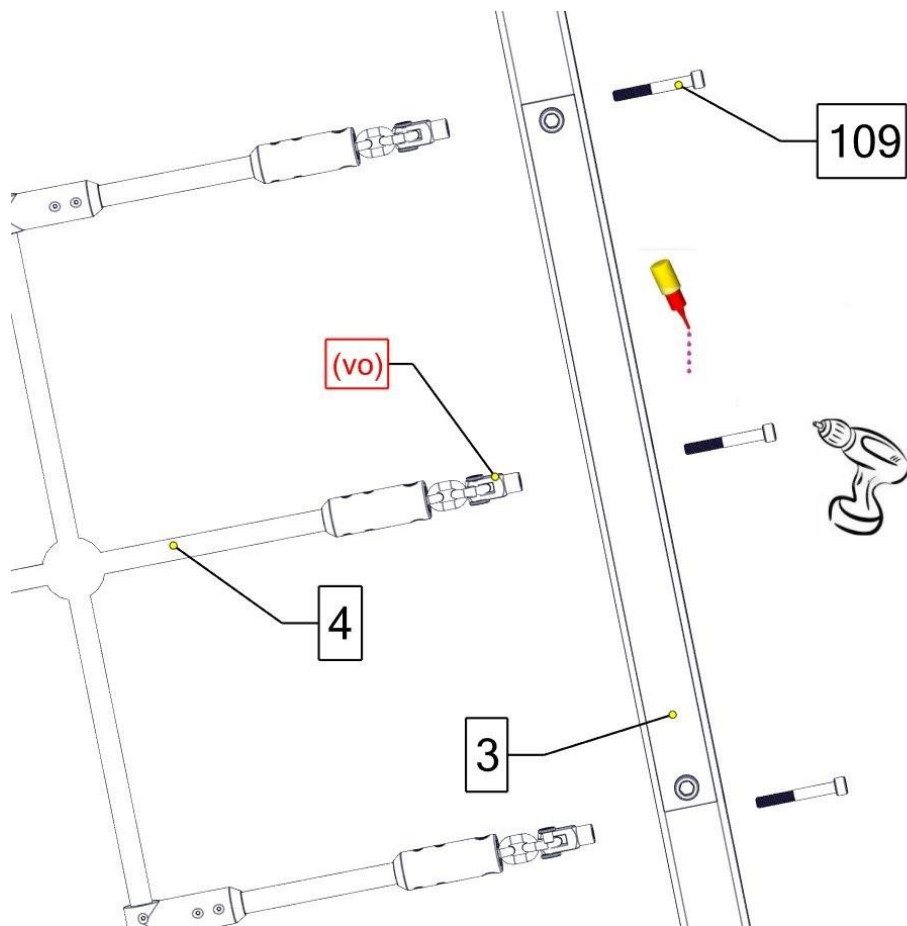


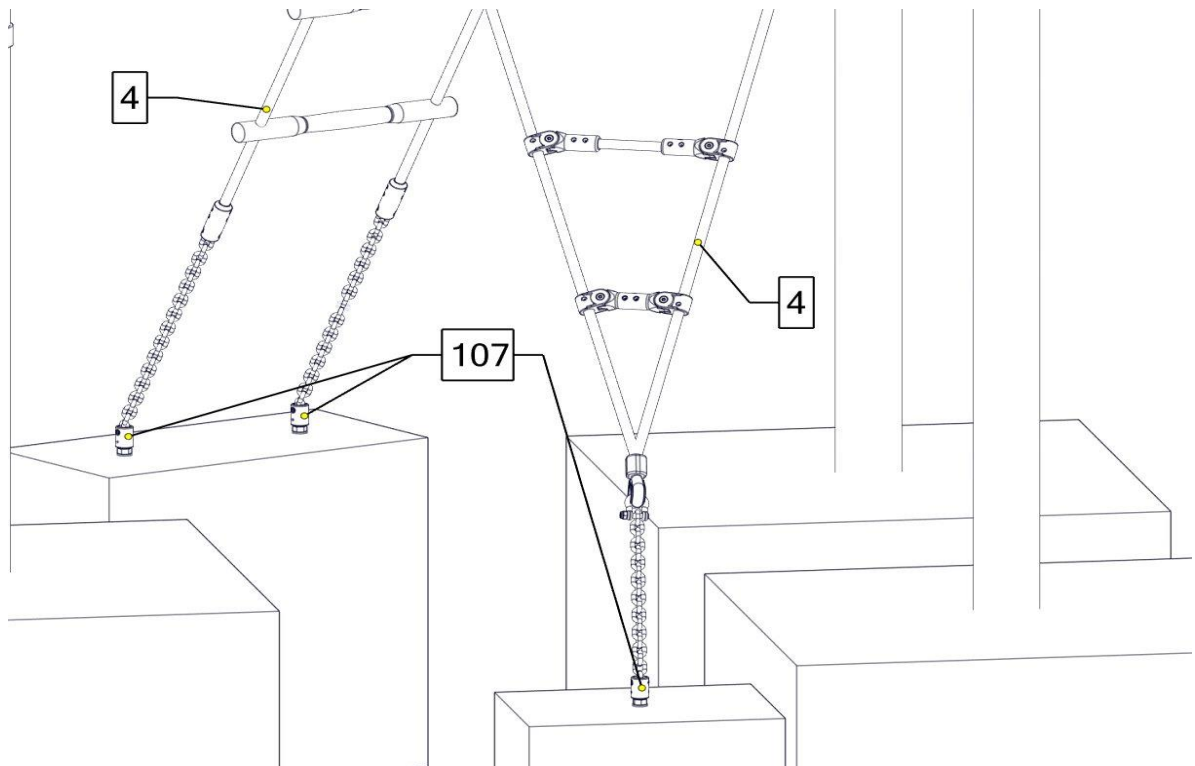
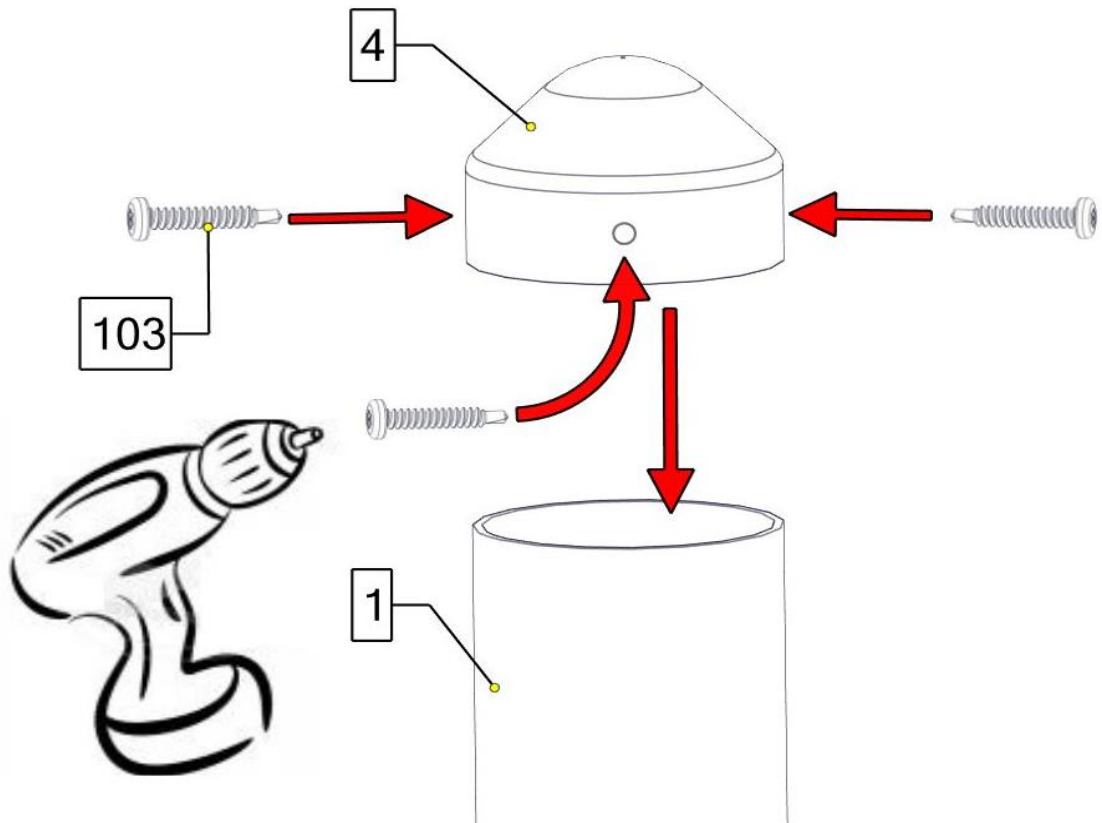
**Glue all screws, nuts and sleeves with Loctite.
(not less than 5 drops!)
(except for lock nut)**

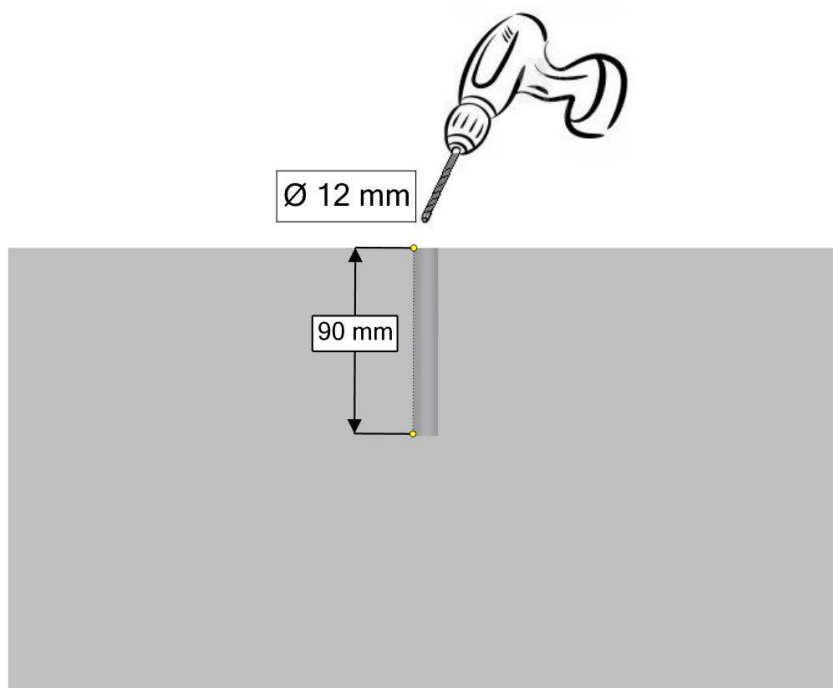
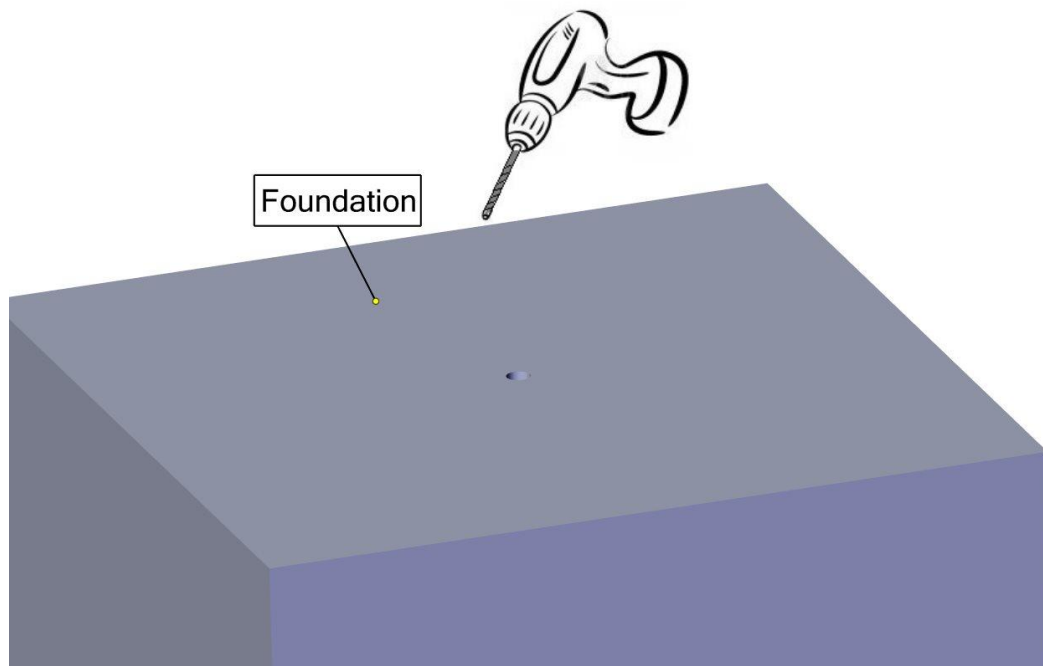


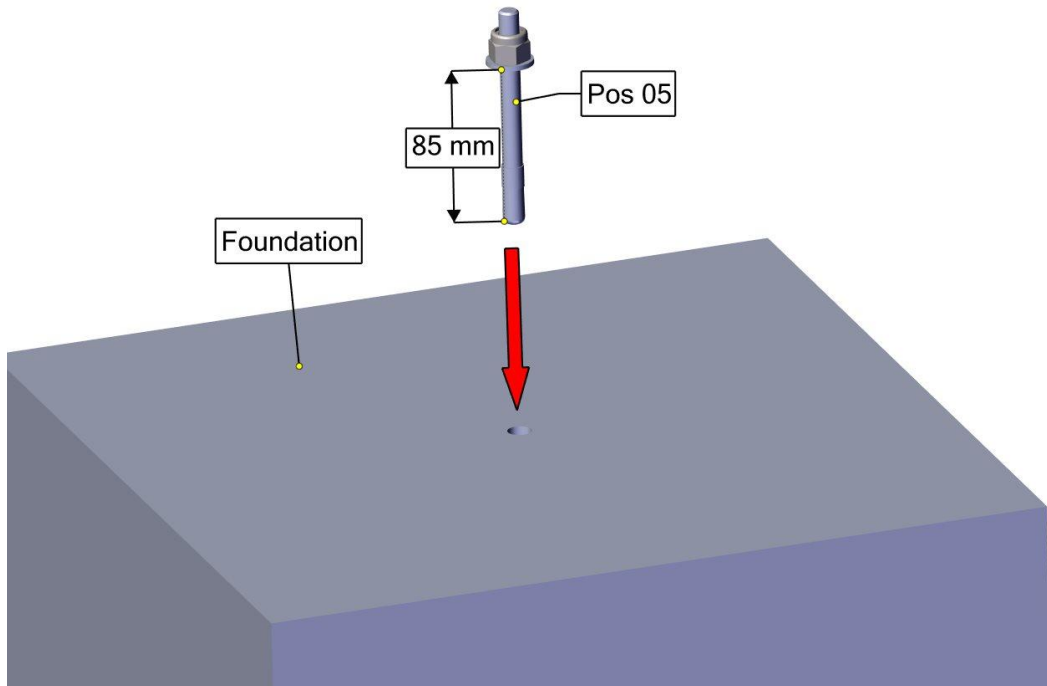


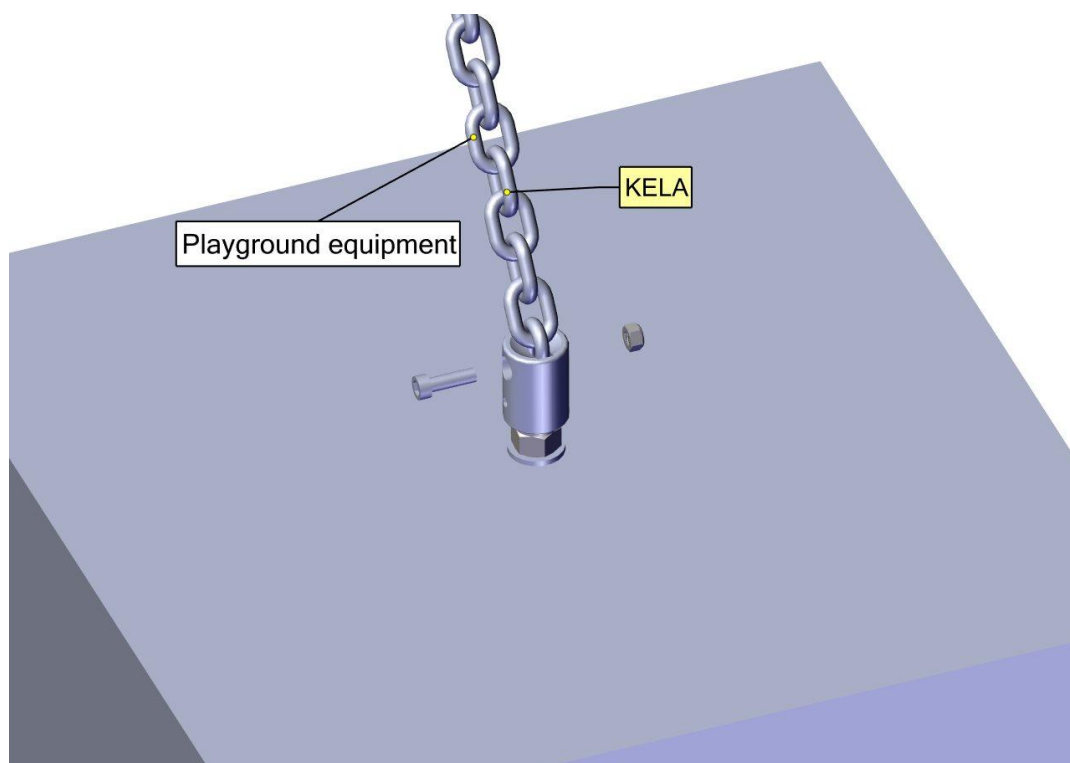
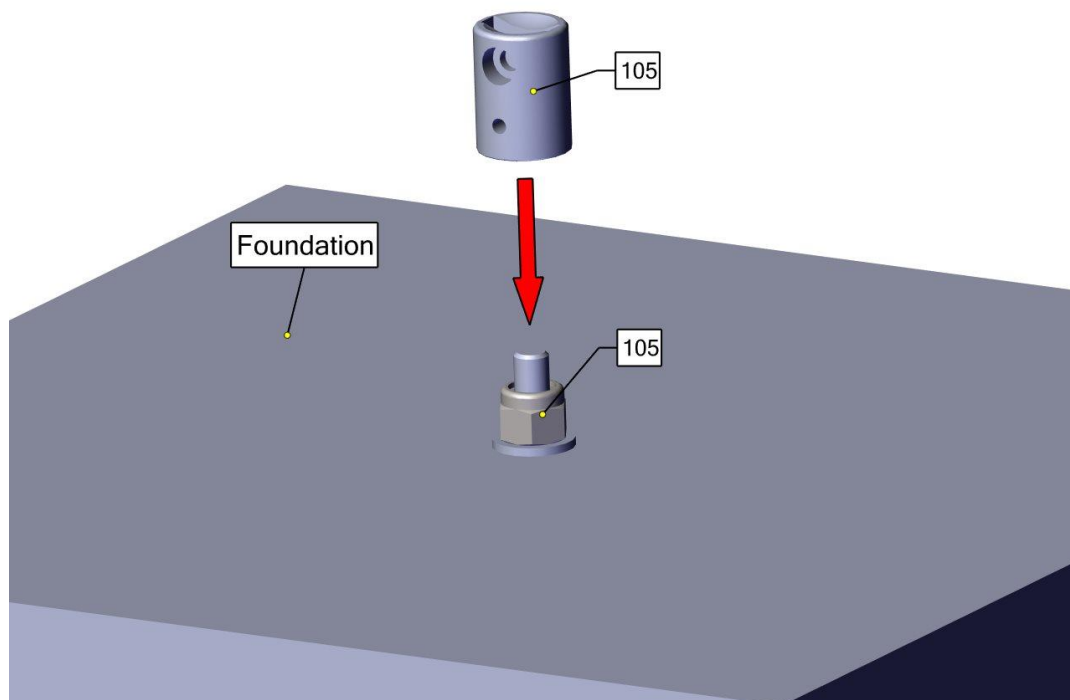












5 Post installation checks



If the equipment has not been installed safely, you must ensure that the public is prevented from using it.

5.1 Marking filler depth

- Labelling the posts to show the depth of material provided as fall protection (i.e. loose filler).

5.2 The equipment has not been installed safely in the following cases:

- Safe equipment installation is not complete.
- The protective surface has not been installed yet.
- Appropriate maintenance work cannot guarantee operational safety.

5.3 Removal of all assembly aids

- Please make sure that all assembly aids have been removed from the playing area. The equipment must not be approved for use until this check has been made.

5.4 Information about inspection of the equipment before it is used for the first time

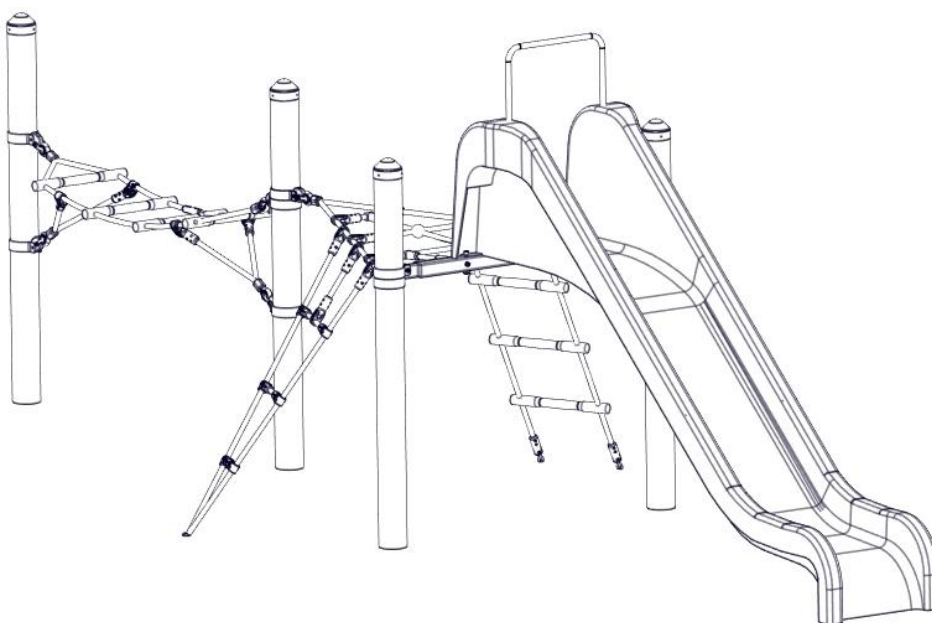
- There are no special inspection requirements to be met before the equipment is used for the first time.

5.5 Retighten bolts

- After one week of play, please retighten all bolts again. Later upon respective maintenance.

B Maintenance instruction
Gnome Forest “Rabenscheid”
Art. 4591-20

(Version: Steel posts, ø 102 mm to be set into concrete)



Revisionshistorie Revision 0 – 2005-02-15

Erste freigegebene Version

Wartungsanleitung

Revision 16 – 2024-02-22

neue Form der Rutsche FH

Alle Rechte vorbehalten

© Copyright 2004 Huck Seiltechnik GmbH

6 Introduction Maintenance

6.1 General informations

This equipment should be installed, inspected, maintained and operated in accordance with EN 1176-7 guidelines.



Notice

Please note: Providing any necessary repairs are carried out, a piece of play equipment that is inspected regularly cannot become so damaged that it is dangerous.

Any spare parts which may be required can be obtained directly from your supplier.



Attention

This equipment should only be assembled, maintained and repaired by **persons with the necessary expertise.**

A copy of the inspection record should be given to the operator, who must confirm receipt.

**This maintenance instruction is based on the standard
“EN 1176-1:2017”.**

7 General maintenance information

7.1 Maintenance intervals

Maintenance intervals are based on average use. Please note that more frequent inspections and/or maintenance are required if the play equipment is subject to intensive use.

7.2 Inspection frequency

The frequency of inspections must be based on actual use. Factors that affect frequency include vandalism, location (e.g. coastal proximity), air pollution and the age of the equipment.

7.3 Maintenance products and procedures

All nuts and bolts are hot-dip galvanised or stainless steel. One of the characteristics of stainless steel is that uncontrolled cold welding may occur when the nuts are tightened. To prevent this, it is necessary to spray the nuts and bolts with Teflon spray or another similar lubricant.

7.4 Spare parts

All spare parts must conform to the manufacturer's specifications.

7.5 Identifying spare parts

All spare parts are listed in the parts list. The parts list follows the installation requirements.

7.6 Special instructions for the disposal of individual equipment components

No special instructions are necessary for the disposal of individual equipment components.

7.7 Special measures during the break-in period

No later than 2 weeks after assembly, all screwed connections should be checked and tightened if necessary.

7.8 Drainage holes

All drainage holes should be kept clear.

7.9 Maintenance of protective surfaces

Surfaces providing fall protection must also be maintained regularly. It is particularly important to maintain the correct level of loose surface material and add more if necessary.

7.10 Faults



Faults must be repaired as soon as they are detected. If serious defects that compromise safety cannot be repaired straight away, the public must be prevented from using the equipment with immediate effect.

7.11 Loose screws



Loose screws always cause quality problems and put safety at risk. Therefore, loose screws should always be tightened and checks carried out to ensure that there are no missing screws (e.g. look out for holes you can see through).

7.12 Preventing equipment use

Use of the equipment should be prevented in the event of incomplete installation, disassembly, maintenance, repairs and faults.

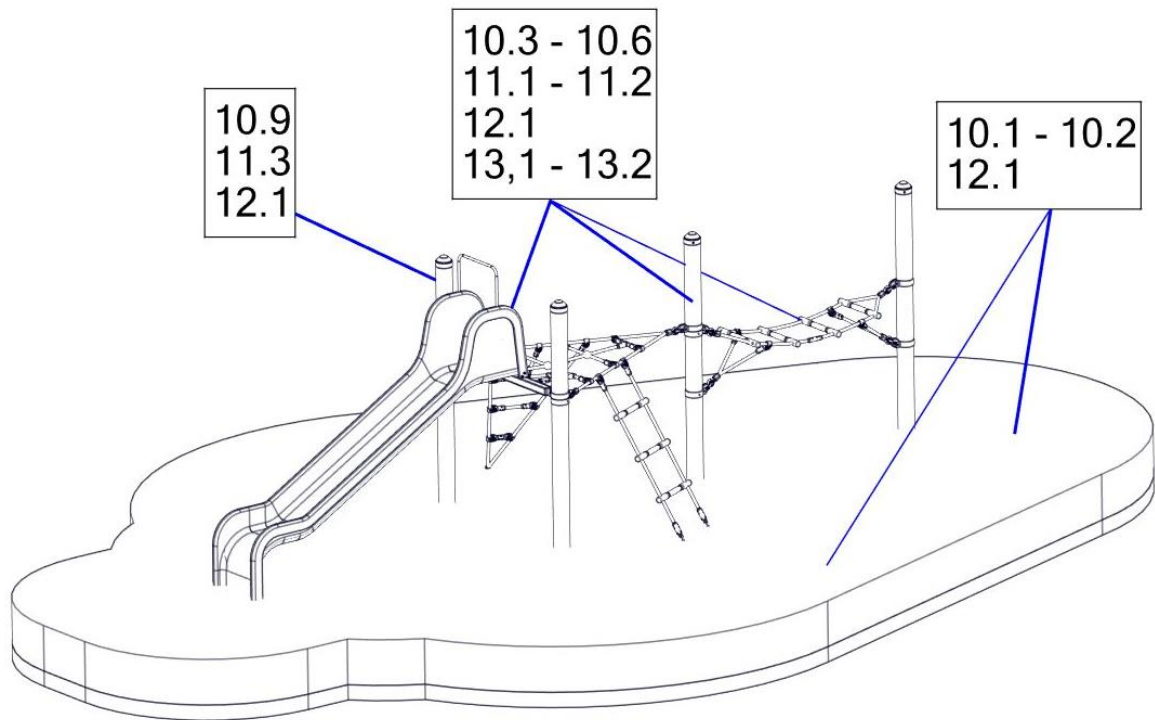
7.13 Claims/liability for faults

Steel posts and footings are guaranteed if regular maintenance is carried out and recorded in writing. Our general terms and conditions apply. Maintenance first takes place after 3 years. The steel posts must be excavated as far as the concrete foundations and checked for corrosion.

Zinc paint should be applied to any corroded areas and scratches.

Check ropes for abrasion. Retreat any that are very worn.

8 Specific maintenance advice



9 Maintenance timetable

9.1 Special advices

9.1.1 Maintenance interval

We strongly advise you to carry out inspections and maintenance work within the specified periods as use of the equipment, the weather and malicious vandalism cause wear and tear that compromises the safety and function of the equipment.

9.1.2 Maintenance intervals in the event of intensive use

Please note that more frequent inspections and/or maintenance are required if the play equipment is subject to intensive use.

9.1.3 Faults that compromise safety



In the event of a fault that compromises safety, quick action must be taken. This may involve repairing it immediately or shutting down and dismantling the equipment.

9.1.4 Faults that compromise function



Faults that compromise function should also be repaired immediately. Such faults lower the value of the equipment to the user and encourage malicious vandalism, which may render the equipment less safe. Any damage should also be repaired immediately.

10 Monthly maintenance

- 10.1 Check the spaces between the equipment and the ground (clearance and height of fall).**
- 10.2 Check the ground surface in the area with fall protection for hard objects and loose foundations.**
- 10.3 Check all connecting elements and fittings for wear and tear and tighten if necessary. Replace damaged or missing parts.**
- 10.4 Check that moving metal parts (joints, springs, etc.) move smoothly and are not worn. Replace if necessary. It is not necessary to lubricate joints as we only use maintenance-free metal roller bearings.**
- 10.5 Check all attachments such as chains, ropes, nets, etc. for damage and replace if necessary.**
- 10.6 Check rubber parts, sleeves, etc. for wear and tear or damage and replace if necessary.**
- 10.7 If necessary, remove excess padding material from the post footings due to danger of rotting.**
- 10.8 Check the surface of wooden parts for damage caused by the weather or external influences and mould. Repair or replace if necessary.**
- 10.9 Check the surface of plastic and metal parts, e.g. slides, for damage and replace if necessary.**

11 Quarterly maintenance

- 11.1 Detailed inspection of the operation and stability of the equipment paying particular attention to any wear and tear.**
- 11.2 Tighten all forms of attachment.**
- 11.3 Repaint and retreat surfaces.**
- 11.4 Maintenance of fall protection surfaces.**
- 11.5 Lubrication of joints.**
- 11.6 Check the height of the fall and top up with loose filler if necessary. If the posts are labelled, top up as far as the mark.**
- 11.7 Retighten all bolts**



Attention

Annual Maintenance

•

12 Annual maintenance

12.1 Ascertaining that the equipment, foundations and surfaces are safe for operation.

12.2 In particular, the equipment should be checked for decay and corrosion. It may be necessary to dig out or excavate certain components in order to do so. Zinc paint should be applied to corroded areas and scratches.

13 Stability (check posts, bracing, foundations, etc.).

13.1 Ascertaining whether there are any changes in equipment safety as a result of repairs that have been carried out or components that have been added or replaced.



Attention

The equipment must be inspected by someone **with the necessary expertise** in strict compliance with the instructions issued by Huck Seiltechnik GmbH.

A copy of the inspection record should be given to the operator, who must confirm receipt.

14 Maintenance printout

Name of item: Gnome Forest "Rabenscheid"/ Art. No. 4591-20

Location: _____

Customer or operator: _____
(Town, Town council, Kindergarten)

Date of inspection	Inspector	O.K.	Accessible	Barriered	Defects	Repaired by	Date

15 Hand over document



After the installation of the equipment pass the installation and maintenance documents to the operator. The operator has to receive the hand over documents. The complete filled and signed hand over document should be sent to the supplier.

Art.-No.: 4591-20

Type of item: Gnome Forest "Rabenscheid"

Serial number:

Customer or operator (Town, Town council, Kindergarten, etc.):

Competent person in charge:

Installation company (address):

Responsible assistant (assembler):

Received the complete assembly instructions, maintenance instructions and maintenance printout.

(Signature of operator) (Signature of installation company)

(Stamp)

Date: _____
